



# AMA Consolidated Specification Questionnaire

Page 24

## INDEX

SUBJECT	PAGE	SUBJECT	PAGE
Battery.....	8	Kingpin.....	18
Belts, drive.....	7	Lamp bulbs.....	11
Body		Linings—clutch, brake.....	12, 16
General Body Information.....	19, 23	Lubrication.....	5, 6, 13, 14, 15
Height dimensions.....	20	Muffler.....	6
Length dimensions.....	21	Overdrive.....	13
Overall dimensions.....	1	Piston pins.....	3
Trunk opening dimensions.....	19	Pistons.....	2
Width dimensions.....	22	Propeller shaft.....	14
Types.....	23	Radiator, radiator hoses.....	7
Brakes		Rear axle.....	1, 15
Parking.....	16	Rims.....	15
Service.....	15, 16	Rings.....	3
Camber.....	18	Shock absorbers	
Camshaft.....	4	Front.....	17
Capacities		Rear.....	18
Cooling system.....	7	Spark plugs.....	9
Fuel tank.....	6	Springs	
Lubricants		Front.....	17
Crankcase.....	6	Rear.....	18
Overdrive.....	13	Valve.....	5
Transmissions.....	13, 14	Stabilizer	
Rear axle.....	15	Front.....	17
Carburetor.....	6	Rear.....	18
Caster.....	18	Valve.....	5
Choke, automatic.....	6	Starting motor.....	8
Circuit breakers.....	11	Steering.....	1, 17, 18
Clutch (pedal operated).....	12	Suppression.....	9
Coil, ignition.....	9	Suspension:	
Connecting rods.....	3	Front.....	16, 17
Cooling system.....	7	Rear.....	18
Crankshaft.....	3, 4	Switches.....	10
Cylinders, cylinder head.....	2	Tailpipe.....	6
Distributor.....	9	Timing, engine.....	4, 5, 9
Electrical System.....	8, 9, 10, 11	Tires.....	1, 15
Engine		Toe-in.....	18
Bore and stroke, displacement.....	1, 2	Torque converter.....	14
Compression ratio.....	1, 2	Torque, maximum.....	1, 2
Firing order, cylinder numbering.....	2, 9	Transmission	
General information.....	1, 2	Automatic.....	13, 14
Lubrication.....	5, 6	Conventional.....	12, 13
Type.....	1, 2	Conventional with overdrive.....	13
Exhaust system.....	6	Ratios.....	12
Fan.....	7	Types.....	1, 12, 13
Frame.....	16	Tread.....	1, 22
Fuel.....	6	Turning diameter.....	1, 17
Fuel pump.....	6	Universal joints.....	14
Fuel system.....	6	Valves, intake and exhaust.....	4, 5
Fuses.....	11	Voltage regulator.....	8
Generator.....	8	Water pump.....	7
horns.....	10	Weight, shipping.....	1
horsepower		Wheel alignment.....	18
Maximum brake.....	1, 2	Wheelbase.....	1, 21
Taxable.....	2	Wheels.....	15
Ignition system.....	9	Wheel spindle.....	18
Instruments.....	10	Windshield wiper.....	10



2



# AMA Consolidated Specification Questionnaire

Page 23

Rev. 8-53  
Issued: 9-1-56

Revised: 12-5-5

MAKE OF CAR Chevrolet MODEL YEAR 1957

MODEL Corvette V-8

## BODY—MISCELLANEOUS INFORMATION

Doors hinged (front, rear)	Front Rear	Front Not Applicable
Type of finish (lacquer, enamel)		Lacquer
Hood opening (front, side; semi-full, full, half)		Front - Reverse Alligator
Hood counterbalanced (yes, no)		No
Hood release control (internal, external)		Internal
Vent window control method (crank, friction, pivot)		Pivot
Windshield (one piece, two piece; curved, flat)		One Piece Curved
Rear window type (one piece, two piece, three piece; curved, flat)		Convertible Top - One Piece Flat (Plastic) (Hardtop) - One Piece Curved (Optional)
Windshield glass area		908 sq. in.
Backlight glass area		408 sq. in.
Total glass area		1816 sq. in.

## BODY—TYPES AND STYLE NAMES

Body type, number of passengers, and style names (use letter code shown below followed by passenger capacity and style name e.g., N-6 Ranchwagon)

	I-2 *

- Body type code**
- |  |   |
|--|---|
| <ul style="list-style-type: none"> <li>A—Coupe—2 door flatback</li> <li>B—Coupe—2 door notchback</li> <li>C—Sedan—2 door flatback</li> <li>D—Sedan—2 door notchback</li> <li>E—Sedan—4 door flatback (4 windows)</li> <li>F—Sedan—4 door flatback (6 windows)</li> <li>G—Sedan—4 door notchback (4 windows)</li> <li>H—Sedan—4 door notchback (6 windows)</li> <li>J—Hardtop—2 door</li> <li>K—Hardtop—4 door</li> </ul> | <ul style="list-style-type: none"> <li>L—Convertible—2 door</li> <li>M—Convertible—4 door</li> <li>N—Station wagon—2 door</li> <li>P—Station wagon—4 door</li> <li>Q—Combined passenger and utility—2 door</li> <li>R—Combined passenger and utility—4 door</li> <li>S—Sedan delivery</li> <li>T—Limousine</li> <li>* - Removable Hardtop—Optional Equipment</li> </ul> |
|--|---|

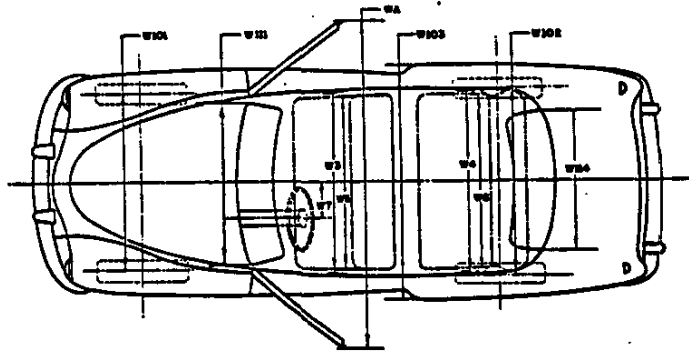
# AMA Consolidated Specification Questionnaire

Page 22  
 Issued: 9-1-56  
 Revised: 12-5-5

MAKE OF CAR Chevrolet MODEL YEAR 1957

MODEL Corvette V-8

## BODY—WIDTH DIMENSIONS



	W3. Front shoulder room, at garnish moulding height or nearest interference 5" forward of seat back.	51.3
Interior	W4. Rear shoulder room, at garnish moulding height or nearest interference 5" forward of seat back.	Not Applicable
	W5. Front hip room, at top of seat 5" forward of vert. tan. to seat back.	50.5
	W6. Rear hip room, at top of seat 5" forward of vert. tan. to seat back.	Not Applicable
	W7. Steering wheel center to center of body.	13.8
Exterior	W101. Front tread at ground.	57.0
	W102. Rear tread at ground.	59.0
	W103. Max. overall width of car including bumpers or mouldings.	70.5
	WA. Max. overall width of car with doors open.	NA
	W111. Windshield DLO, max. width.	53.6
	W114. Back window DLO, max. width.	31.3

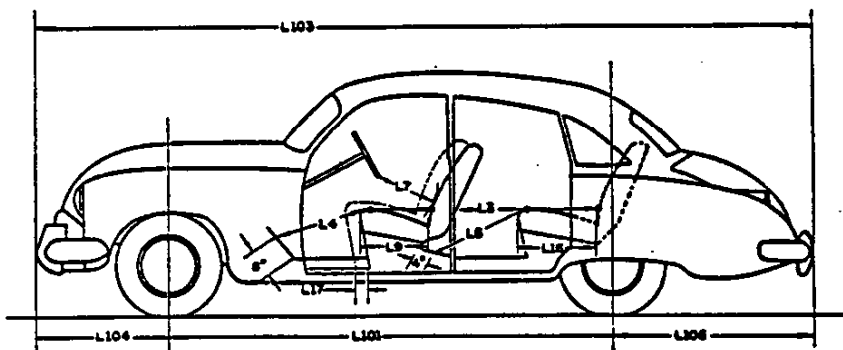
# AMA Consolidated Specification Questionnaire

Page 21  
Issued: 9-1-54  
Revised: 12-5-51

MAKE OF CAR Chevrolet MODEL YEAR 1957

MODEL Corvette V-8

## BODY—LENGTH DIMENSIONS



	L3. Rear compartment back of front seat back to rear seat back.	Not Applicable
	L4. Leg room—front—diagonal—ball of foot to top of seat to front seat back—15° line.	44.2
	L5. Leg room—rear—diagonal— from ball of foot to top of rear seat cushion and to seat back.	Not Applicable
Interior	L7. Steering wheel clearance to seat back taken on arc.	13.5
	L19. Front seat depth (front edge to vert. tan. to seat back on 15° line).	18.2
	L16. Depth of rear seat (front edge to seat back).	Not Applicable
	L17. Total adjustment of front seat at floor.	4.4
	L101. Wheel base.	102.0
	L103. Overall length (bumper to bumper inc. guards).	168.0
Exterior	L104. Overhang—front including bumper guards.	21.7
	L105. Overhang—rear including bumper guards.	17.1

# AMA Consolidated Specification Questionnaire

Page 20-4

Issued: 9-1-56

Revised: 12-5-5

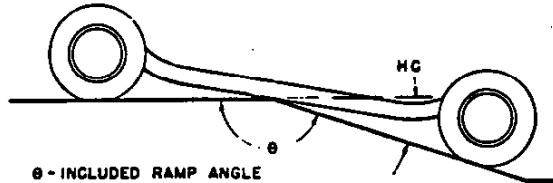
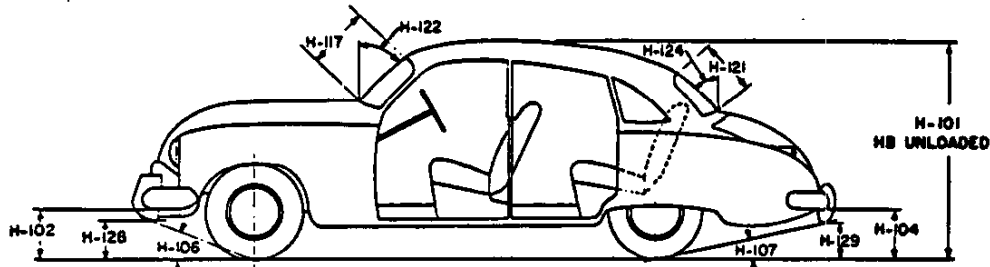
MAKE OF CAR Chevrolet

MODEL YEAR 1957

V-8

MODEL Corvette

## BODY—HEIGHT DIMENSIONS—EXTERIOR



θ - INCLUDED RAMP ANGLE  
 HC - RAMP BREAKOVER ANGLE  
 (SUPPLEMENT OF INCLUDED RAMP ANGLE)

H101. Overall height.	51.1
H3. Overall height—unloaded.	52.0
H102. Front bumper bottom to ground at normal section.	9.3
H104. Rear bumper bottom to ground at normal section.	14.7
H106. Angle of approach—from the tire rolling radius to lowest point on front bumper or guard.	28° 1'
H107. Angle of departure—from the tire rolling radius to lowest point on rear bumper or guard.	18° 50'
HC. Ramp breakover angle.*	14° 54'
H117. Windshield DLO-slant height.	17.3
H121. Backlight DLO*—Max., slant height.	11.5
H122. Windshield slope angle to vertical line on car axis.	50°
H124. Backlight slope angle to vertical line on car axis.	NA
H128. Ground to bottom of front bumper guard.	See H102
H129. Ground to bottom of rear bumper guard.	See H103
HD. Min. road clearance (location and dimension).	Body Sill—5.81
HE. Min. road clearance at rear axle.	8.00

\*See Notes, page 19.

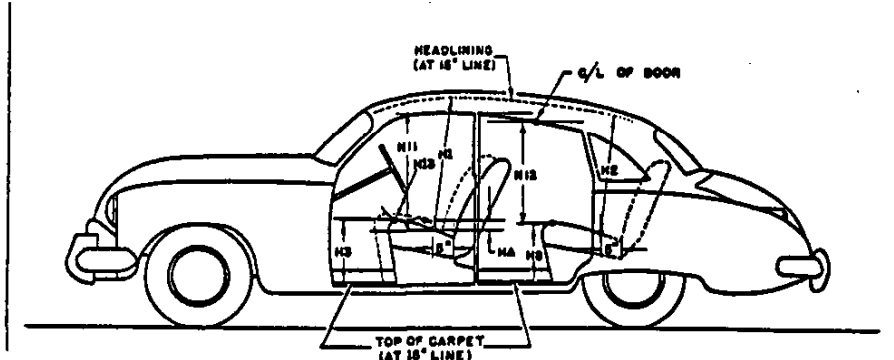
# AMA Consolidated Specification Questionnaire

Page 20  
Rev. 8-53  
Issued: 9-1-5  
Revised: 12-5-

MAKE OF CAR Chevrolet MODEL YEAR 1957

MODEL Corvette V-8

## BODY—HEIGHT DIMENSIONS—INTERIOR



<b>H1. Front headroom</b> —from "A" pt. to headlining at 8° back of vertical on 15" line. (For "A" pt. see note 1, page 19)	34.3
<b>H2. Rear headroom</b> —from "A" pt. to headlining at 8° back of vertical on 15" line.	Not Applicable
<b>H3. Front seat height to floor carpet</b> on 15" line (front edge of cushion).	8.9
<b>H8. Rear seat height to floor carpet</b> on 15" line (front edge of cushion).	Not Applicable
<b>H11. Entrance—front—cushion</b> "A" point to bottom windcord vertical.	28.0
<b>H12. Entrance—rear—top of cushion to bottom windcord</b> vertical at C/L of rear door.	Not Applicable
<b>H13. Steering wheel clearance</b> to seat cushion taken on arc.	4.8
<b>HA. Front seat vertical rise at</b> "A" pt. (inches.)	.22



# AMA Consolidated Specification Questionnaire

Page 19

Rev. 8-53

Issued: 9-1-56

Revised: 12-5-56

MAKE OF CAR Chevrolet MODEL YEAR 1957

## BODY—GENERAL DEFINITIONS

NOTE: Included in the dimension definitions listed on this and the following pages are those which have been proposed for adoption by the SAE. These are indicated by a number following the type of dimension, e.g., L 3. Additional dimensions have been added by the AMA Specifications Body Sub-Committee for inclusion in the Questionnaire. These are shown by an additional letter, e.g., MA. The dimensions are developed from the following basic points:

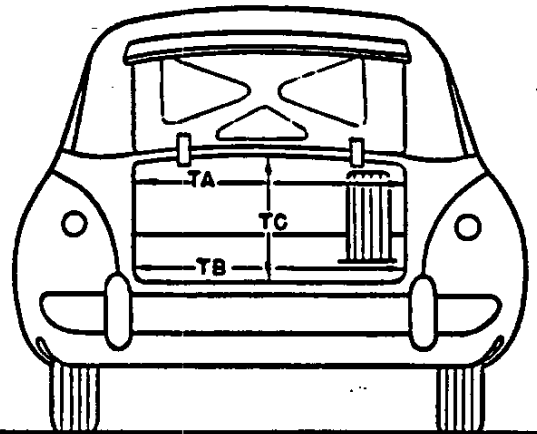
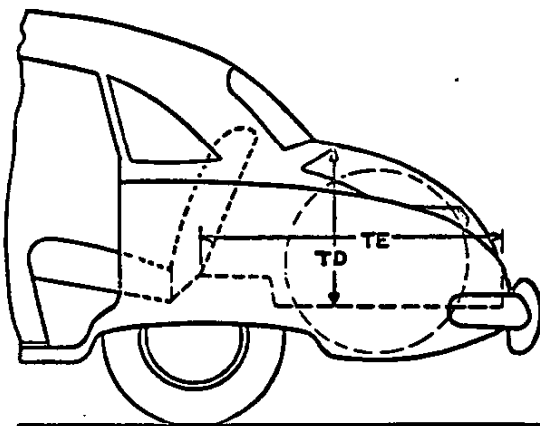
1. Front and rear seat "A" points are taken 5" forward of vertical tangent to seat back 15" from center of body.
2. Front seat is in the rear position.
3. Loaded position—5 passengers, front 300 lb., rear 450 lb., includes spare wheel, tire and tools, and full complement of gas, oil, water, etc. and tires to recommended pressure, etc.
4. C. L. (centerline).
5. D. L. O. (daylight opening, exposed glass dimension).
6. Ramp breakover angle (page 20-A) is the supplement of the included ramp angle ( $180^\circ$  minus the included ramp angle) over which a car can pass without hanging up.

MODEL

Corvette

V-8

## BODY—TRUNK OPENING DIMENSIONS



TA—Width across the top	45.0
TB—Width across the bottom	40.0
TC—Diagonal dimension at CL from top of opening to bottom	NA
TD—Vertical height of opening (floor to top, inside edge of opening)	14.2
TE—Max. horizontal depth (forward from vertical projection of inside edge of opening)	31.0
Position of spare tire stowage	<b>Horizontal in Floor Tire Well Under Mat</b>
Method of holding lid open	<b>Counterbalance Springs</b>

# AMA Consolidated Specification Questionnaire

Page 18  
 Issued: 9-1-56  
 Revised: 12-5-56  
 12-27-56

MAKE OF CAR Chevrolet MODEL YEAR 1957

MODEL Corvette V-8

## STEERING (cont.)

Kingpin	Inclination at camber (deg.)		3° 30' - 4° 30'	
	Diameter		.8660 - .8665	
	Bearings (type)	Upper		Bushing
		Lower		Bushing
Thrust			Single Row Ball	
Wheel alignment (range and preferred)	Caster (deg.)		0 - 1°	
	Camber (deg.)		0 - 1°	
	Toe-in (outside tread-inches)		0 - .125	
Steering knuckle type			Reverse Elliott	
Wheel spindle	Diameter	Inner bearing	1.2810 - 1.2815	
		Outer bearing	.7498 - .7503	
	Thread size		3/4 - 20	
	Bearing type		Ball	

## REAR SUSPENSION (f)

Type		Longitudinal Springs	
Drive and torq. taken through (see page 14)		Rear Springs	
Spring	Type	Semi-Elliptic	
	Material	Chrome Alloy Steel	
	Size (length x width x No. leaves or coil LD.)	51.0 x 2.0 x 4	
	Spring rate (lb. per in.)	115 ( <del>125</del> with Optional HD Rear Springs) (f)	
	Rate at wheel (lb. per in.)	NA	
	Normal load (lb. at rated length)	725	
	Mounting insulation type		Rubber Bushed
	If leaf	No. of leaves	4
		Covers (yes, no)	No
		Lubricated (yes, no)	No
		Inserts	3 Liners; 19.8 x 1.9 x .10; 31.8 x 1.9 x .10; 46.3 x 1.9 x .10
		Material	Wax Impregnated Fibre Board
	Shackle (comp. or tens.)	In Tension From Rear Hanger	
Shock absorbers	Manufacturer	Delco	
	Type (direct or lever)	Direct. Double Acting, Hydraulic (f)	
	Piston diameter	1.0	
Stabilizer	Type (link, linkless, frameless)	None	
	Material	None	
Track bar type		None	

(f) - Heavy duty suspension, which includes HD front & rear springs, HD front & rear shock absorbers & HD stabilizer, optional.

# AMA Consolidated Specification Questionnaire

Issued: 9-1-56  
Revised: 12-1-56  
12-27-56

MAKE OF CAR Chevrolet MODEL YEAR 1957

MODEL Corvette

## FRONT SUSPENSION (cont.)

	Type	Coil
	Material	Chrome Alloy Steel
Spring	Size (length x width x No. leaves or coil I.D.)	13.45 Free Length x 3.162 Total Number of Coils 9.75
	Spring rate (lb. per in.)	300 <del>300</del> with Optional HD Front Springs) (f)
	Rate at wheel (lb. per in.)	110
	Normal load (lb. @ rated length)	1145 @ 9.62
Shock absorbers	Manufacturer	Dalco
	Type (direct or lever)	Direct, Double Acting, Hydraulic (f)
	Piston diameter	1.0
Stabilizer	Type (link, linkless, frameless)	Link (f)
	Material	Heat Treated Hot Rolled Carbon Steel

## STEERING

Type used (Standard or optional)	Mechanical Power	Standard	
Wheel diameter		17.25	
Turning diameter	Outside front	Wall to wall (r. & l.) 38-1/2 Ft. Right-39 Ft. Left Curb to curb (r. & l.) 36-1/2 Ft. Right-37 Ft. Left	
	Inside rear	Wall to wall (r. & l.)	NA
		Curb to curb (r. & l.)	NA
	Inside wheel angle with outside wheel at 20°		23°
Mechanical	Gear	Type	Semi-Reversible, Hour Glass Worm and Ball Bearing Roller Sector
		Make	Saginaw
		Ratios	Gear 16.0:1 Overall 16.0:1 2.10:1
	No. wheel turns	(2) 2.9 with adapter	3.87 LOCK TO LOCK
Power	Type	None	
	Make	None	
	Trade name	None	
	Gear	Type	None
		Ratios	Gear None Overall None
		Pump driven by	None
	Overall torque ratio	None	
Number wheel turns	None		
Linkage	Type	Center Point	
	Location (front or rear of wheels)	Rear of Wheels	
	Drag link (trans. or long) Tie rods (one or two)	Longitudinal-Two	

(5) - Heavy duty suspension, which includes HD front & rear springs, HD front & rear shock absorbers, & HD stabilizer, optional.

*and quick steering adapter*

# AMA Consolidated Specification Questionnaire

Issued: 9-1-56  
 Revised: 12-5-56  
 12-27-56

MAKE OF CAR Chevrolet

MODEL YEAR 1957

MODEL Corvette V-8

## BRAKES—SERVICE (cont.)

Brake lining	Primary	Bonded or riveted		Bonded (Welded to the shoe when HD Brake Option is used)	
		Material		Full Molded Asbestos Composition (a)	
		Size (length x width x thickness)	Front wheel	9.29 x 2.0 x .175 (b)	
			Rear wheel		
		Segments per shoe		One	
	Secondary	Material		Full Molded Asbestos Composition (a)	
		Size (length x width x thickness)	Front wheel	11.69 x 2.0 x .175 (d)	
			Rear wheel		
		Segments per shoe		One	
		Wheel cylinder bore	Front	1.0 (.875 with HD Brake Option)	
Rear					
Master cylinder bore		1.0			
Available pedal travel		1.50			
Line pressure at 100 lb. pedal load		700 Approx.			
Shoe clearance adjustment		Adjust to Light Drag & Back Off 7 Notches			

## BRAKES—PARKING

Type of control		"T" Handle Pull Rod
Location of control		L. H. of Steering Column, Below Inst. Panel
Operates on		Rear Service Brakes
If separate from service brakes	Type (internal or external)	None
	Drum diameter	None
	Lining size (length x width x thickness)	None

## FRAME

Type and description	Full length, welded, box section side and cross members "I" beam type, bracing from "X" member to frame front side member. Rear shock absorber cross member of "U" type. "I" beam type "X" member.
----------------------	--

## FRONT SUSPENSION (f)

Type and description	Unitized, Independent, Short & Long Arm
----------------------	---

- (a) - Sintered Metal & Ceramic when HD brake option is used.
- (b) - 2 piece, 2.24 x 2.50 x .185 when HD brake option is used.
- (c) - 2 piece, 2.24 x 2.00 x .185 when HD brake option is used.
- (d) - 4 piece, 2.24 x 2.50 x .185 when HD brake option is used.
- (e) - 4 piece, 2.24 x 2.00 x .185 when HD brake option is used.
- (f) - Heavy duty suspension, which includes HD front & rear springs, HD front & rear shock absorbers & HD stabilizer, optional.

# AMA Consolidated Specification Questionnaire

Page 15  
 Issued: 9-1-56  
 Revised: 12-2-56  
 12-27-56

MAKE OF CAR Chevrolet MODEL YEAR 1957

MODEL Corvette V-8

## DRIVE UNITS—REAR AXLE

Type (semi-floating, other)		Semi-Floating	
Gear type (hypoid, other)		Hypoid	
Gear ratio and No. of teeth	Conventional trans.	3.70:1 (10-37) Standard; 3.70:1 (10-37) Optional; 4.11:1 (9-37) Optional; 4.56:1 (9-41) Optional (a)	
	Overdrive trans.	None	
	Automatic trans.	3.55:1 (11-39)	
Pinion adjustment (shim, other)		Shim	
Pinion bearing adj. (shim, other)		None	
Lubricant	Capacity (pt.)	4	
	Type recommended	A-9 Hypoid Lubricant	
	SAE viscosity number	Summer	SAE 90
		Winter	SAE 90
Extreme cold		SAE 80	

## DRIVE UNITS—WHEELS

Type (disc, other)		Short Spoke Disc
Rim (size and flange type)		15 x 5K
Attachment	Type (bolt or stud)	Bolt
	Circle diameter	4-3/4
	Number and size	5. 7/16 x 20

## DRIVE UNITS—TIRES

Size and ply rating	Standard	6.70-15-4 Ply Tubeless
	Optional	6.70-15-4 Ply White & Blackwall
Rev/mile at 30 mph		755
Inflation press. (cold)	Front	24 Lb.
	Rear	24 Lb.

## BRAKES—SERVICE

Type		Servo-4 Wheel Hydraulic (Heavy Duty, Optional) (b)
Booster type		None
Effective area (sq. in.)		157 (121 with HD Brake Option)
Percent brake effectiveness—rear		44% (38% with HD Brake Option)
Drum	Diameter	Front 11
		Rear 11
	Type and material	Composite: Rim, Cast Alloy Iron; Web, Pressed Steel (c)

- (a) Optional axles equipped with positraction (limited slip) differential and extended vent lines.
- (b) - Optional heavy duty brakes available with or without air intake ducts for air cooled brakes.
- (c) - Drums, with cooling vanes cast on rim, used with heavy duty brakes option.

# AMA Consolidated Specification Questionnaire

Page 14  
 Issued: 9-1-5  
 Revised: 12-5-5

MAKE OF CAR Chevrolet MODEL YEAR 1957

MODEL Corvette V-8

## DRIVE UNITS—AUTOMATIC TRANSMISSION (cont.)

Torque convertor	Number of elements		3	
	Max. ratio at stall at engine rpm		2.1:1	
	Mechanical lockup	Provided (yes, no)	No	
		Speed range	-	
		Releases at (speed range, mph)	-	
	Type of cooling (forced air, oil cooler and type, other)		None	
Anti-creep device (yes, no)		No		
Lubricant	Capacity—refill (pt.)		11 Qts. - Refill 5 Qts.	
	Type recommended		Type A	
	Grade	Summer	{ Same Grade for All Temperature Ranges	
		Winter		
Extreme cold				

## DRIVE UNITS—PROPELLER SHAFT

Number used		1	
Type (exposed, torque tube)		Exposed Hotchkiss	
Outer diameter x length* x wall thickness	Conventional trans.	2.370 x .065 (Eff. Lgth. Varies Due to U-Joint Slip on Spline)	
	Overdrive trans.	None	
	Automatic trans.	Same as Conventional	
Inter-mediate bearing	Type (plain, anti-friction)	None	
	Lubri. (fitting, prepack)	None	
Universal joints	Make		Omn
	Number used		2
	Type (ball and trunnion, cross, other)		Yoke and Spider (Trunnion)
	Bearing	Type (plain, anti-friction)	Anti Friction
		Lubric. (fitting, prepack)	2 Fittings
Drive taken through (torque tube or arms, spring)		Rear Springs	
Torque taken through (torque tube or arms, springs)		Rear Springs	

\*Centerline to centerline of joints or centerline of rear attachment point.

# AMA Consolidated Specification Questionnaire

Page 13  
 Issued: 9-1-56  
 Revised: 12-5-56

MAKE OF CAR Chevrolet MODEL YEAR 1957

MODEL Corvette V-8

## DRIVE UNITS—CONVENTIONAL TRANSMISSION (cont.)

Lubricant	Capacity (pt.)		2
	Type recommended		A-9 Mineral Oil Lubricant
	SAE viscosity number	Summer	SAE 90
		Winter	SAE 90
Extrame cold		SAE 80	

## DRIVE UNITS—CONVENTIONAL TRANSMISSION WITH OVERDRIVE

For transmission data see conventional transmission section

Overdrive	Type (planetary or other)		None	
	If planetary, No. of pinions		None	
	Manual lockout (yes, no)		None	
	Downshift accelerator control (yes, no)		None	
	Minimum cut-in speed		None	
	Gear ratio		None	
	Lubricant	Capacity (O.D. only)		None
		Separate filter (yes, no)		None
		Type recommended		None
		SAE viscosity number	Summer	None
Winter	None			
Ext. cold		None		

## DRIVE UNITS—AUTOMATIC TRANSMISSION

Trade name	Powerglide
Type (fluid coupling with gears, torque convertor with gears, other)	Torque Converter with Planetary Gears
Manual selector positions, left to right (show symbols and define, e.g., N- Neutral)	P - Park N - Neutral D - Drive L - Low R - Reverse
List gear ratios in each drive position (range)	Drive 1.82:1 Low <del>2.12</del> 1.82:1 Reverse 1.82:1
Shifting within drive position range by accelerator control and speed limiting governor (yes, no)	Yes
By governor—forced shift (yes, no)	Yes
Downshift of gears in high range possible up to (mph)	50

# AMA Consolidated Specification Questionnaire

Page 12  
 Issued: 9-1-56  
 Revised: 12-5-56

MAKE OF CAR Chevrolet MODEL YEAR 1957

MODEL Corvette V-8

## DRIVE UNITS—CLUTCH (PEDAL OPERATED)

Make		Borg & Beck	
Type (dry or wet plate)		Dry Plate	
In combination with fluid coupling (yes, no)		No	
Semi-centrifugal (yes, no)		Yes	
Type pressure plate springs		Coil	
Total plate pressure (lb.)		1610 (Initial)	
No. of clutch driven discs		One	
Clutch facing	Material	Premium Woven Asbestos Comp.	
	Inside diameter	6.5	
	Outside diameter	10.0	
	Total eff. area (sq. in.)	90.72	
	Thickness	.132 - .138	
	Number required	Two	
	Engagement cushioning method	Springs	
	Release bearing	Type	Ball Bearing
		Method of lubrication	Sealed
	Torsional damping	Method (springs, other)	Springs at Hub
Frict. mat.		None	

## DRIVE UNITS—TRANSMISSIONS

Conventional (std. or opt.)	3 Speed Standard (4 Speed Optional)
Conventional with overdrive (std. or opt.)	None
Automatic (std. or opt.)	Optional

## DRIVE UNITS—CONVENTIONAL TRANSMISSION

Number of forward speeds		3	4 (Optional)
Transmission ratios	In first	2.21:1	2.20:1
	In second	1.32:1	1.66:1
	In third	Direct	1.31:1
	In fourth	None	Direct
	In reverse	2.21:1	2.25:1
Constant mesh gears in 2nd (yes, no)		Yes	Yes
Spur gear used in (indicate speeds)		None	None
Helical gears used in (indicate speeds)		All	All
Synchronous meshing in 2nd and 3rd gears (yes, no)		Yes	Yes



# AMA Consolidated Specification Questionnaire

Page 11  
Issued: 9-1-56  
Revised: 12-5-56

MAKE OF CAR Chevrolet MODEL YEAR 1957

MODEL Corvette V-8  
Conventional Powerglide

## ELECTRICAL—LAMP BULBS

Give quantity used and trade number, e.g., Headlamp 2-4030.  
Indicate accessories which are not standard equipment by an asterisk following the numbers.

Headlamp		2-T-3-5400
Headlamp beam indicator		1-53
Parking light		2-1034 (Combination Parking & Directional Signal Lamp)
Tail light		2-1034 (Combination Tail, Stop & Directional Signal Lamp)
Stop light		(See "Tail Light")
Direction indicator	Front	(See "Parking Light")
	Rear	(See "Tail Light")
	Tail-Tale	None
License plate light		2-67
Instrument light		4-57
Ignition lock light		1-53
Map light		None
Dome light		None
Clock light		1-57
Radio dial light		1-GE 1891*
Glove compartment light		None
Courtesy light		2-90*
Trunk compartment light		None
Other		
Cigarette Lighter Lamp (1-53); Parking Brake Alarm Lamp (1-90)*		

## ELECTRICAL—FUSE & CIRCUIT BREAKER DATA

Use trade number of fuse, e.g., SFE-10. Indicate circuit breaker by ampere capacity suffixed by letters "CB", e.g., 30 C.B. Where fuse or circuit breaker protects multiple circuits indicate first use by a letter and repeat the same letter for all units protected by the same fuse or circuit breaker, e.g., Parking light: SFE-10 (a). Direction indicator: same as (a).

Headlamp		13 CB (a)
Headlamp beam indicator		Same as (a)
Parking light		Same as (a)
Tail light		Same as (a)
Stop light		Same as (a)
Direction indicator		Same as (a)
License plate light		Same as (a)
Instrument light		13 CB (a) & AGA-3 Fuse (b)
Ignition light		Same as (b)
Map light		None
Dome light		None
Clock	•	Same as (a)
Clock light		Same as (b)
Radio		SFE 7-1/2 & SFE 4
Glove compartment light		None
Courtesy light		Same as (a)
Trunk compartment light		None
Other		Windshield Wiper Motor, 10 CB; Power Window, 40 CB; Parking Brake Alarm SFE-9; Hydraulic Folding Top, 15 CB; Heater & Defroster, AGC-10; Cigarette Lighter Lamp, Same as (b).

# AMA Consolidated Specification Questionnaire

Page 10  
Issued: 9-1-56  
Revised: 12-5-56

MAKE OF CAR Chevrolet MODEL YEAR 1957

MODEL Corvette Conventional V-8 Powerglide

## ELECTRICAL—INSTRUMENTS AND SWITCHES

Speed-ometer	Make	AC
	Trip odometer (yes, no)	No
Charge indicator—type		Ammeter
Temperature indicator—type		Electric
Oil pressure indicator—type		Bourdon Tube
Fuel indicator—type		Electric
Ignition switch	Identify positions in order and circuits controlled	Vertical -----Off, unlocked Counter Clockwise -----Off, locked 1st Pos. Clockwise from Vert. -----Ignition & accessories on 2nd Pos. Clockwise from Vert. -----Ignition & starter on with spring return to 1st position
	Provision for illumination	Yes
	Location	On Instrument Panel - Right of Steering Column
	Theft protection type	None
Main lighting switch	Identify positions and lights controlled	Depressed - Off 1st Notch - Instr. Panel Lights, Parking Lights 2nd Notch - Instr. Panel Lights, Driving Lights Rotate Clockwise to Dim and Turn Off Instr. Panel Lights; Counter Clockwise to Turn On and Brighten Panel Lights
Other light switches	Locations and lamps controlled	Toe Panel -----Headlight Dimmer Glove Compartment-----Glove Compartment Lamp Steering Column -----Turn Signal Lamps Hinge Pillar -----Courtesy Lamp On Brace Below Instr. Panel--Stop Lamps Parking Brake Lever Housing--Parking Brake Alarm Lamp
	Locations and devices controlled	Instrument Panel -----Folding Top Instrument Panel -----Electric Windshield Wipers LH Door -----Electric Window Lifts Instrument Panel -----Radio on-off Switch Instrument Panel -----Heater & Blower Switch
Windshield wiper	Make	Delco (Motor Unit Trico)
	Type	Electric
	Vacuum booster provision	None
	Washer provision	Dealer Installed Accessory
Horn	Type	Vibrator
	Number used	2
	Amp draw (each)	High 9, Low 10

# AMA Consolidated Specification Questionnaire

Page 9  
 Issued: 9-1-56  
 Revised: 12-5-56

MAKE OF CAR Chevrolet MODEL YEAR 1957

MODEL Corvette Conventional V-8 Powerglide

## ELECTRICAL—STARTING SYSTEM (cont.)

Motor drive	Engagement type		Positive Shift Solenoid
	Pinion meshes (front, rear)		Front
	Number of teeth	Pinion	9
		Flywheel	168
Flywheel tooth face width		.4135	

## ELECTRICAL—IGNITION SYSTEM

Coil	Make		Delco-Remy
	Model		1115091 (1115107 with Fuel Injection Equipment)
	Amps	Engine stopped	4
Engine idling		1.8	
Distributor	Make		Delco-Remy
	Model		1110891 (1110889 with Fuel Injection Equipment)
	Spark advance data (at distributor shaft)	Centr. advance start (rpm)	275
		Centr. advance max. deg. @ rpm	20° @ 1850
		Vacuum advance start (in. Hg.)	None
		Vac. adv. (max. deg. @ in. Hg.)	None
	Breaker gap (in.)		.018
	Cam angle (deg.)		29
Breaker arm tension (oz.)		19-23	
Timing	C/S deg. @ rpm		12° BTDC @ Idle (a)
	Mark location		Damper
	Cylinder numbering system (see page 2)		Left Bank 1-3-5-7; Right Bank 2, 4, 6, 8
Firing order (see page 2)		1-8-4-3-6-5-7-2	
Spark plug	Make and model		AC 144
	Thread (mm)		14
	Tightening torque (lb. ft.)		20-25
	Gap		.033 - .038
Cable	Conductor type		Linen core impregnated with an electrical conducting material
	Insulation type		Rubber with Neoprene jacket
	Spark plug protector		Neoprene jacket

## ELECTRICAL—SUPPRESSION

Description	Non-Metallic High Tension Cable
-------------	---------------------------------

(a) - Dual 4 Bbl. Carb. with Optional Camshaft & Fuel Inj. with Optional Camshaft-12° BTDC @ Idle.

# AMA Consolidated Specification Questionnaire

Page 8

Issued: 7-1-56<sup>52</sup>  
Revised: 12-5-56

MAKE OF CAR Chevrolet MODEL YEAR 1957

MODEL Corvette V-8  
Conventional Powerglide

## ELECTRICAL—SUPPLY SYSTEM

Battery	Make and Model	Delco, 2 SDR 53-W		
	Voltage Rtg. & Plates/cell	12 Volt, 9 Plate		
	SAE Designation & Amp Hr. Rtg	2SM, 53 Amp. Hrs. @ 20 Hr. Rate		
	Location	Under Hood Right Side Rear		
	Terminal grounded	Negative		
Generator	Make	Delco-Remy		
	Model	11200L3		
	Type	2 Brush, Shunt Wound		
	Ratio—Gen. to Cr/s rev.	2.00:1		
Regulator	Make	Delco-Remy		
	Model	1119001		
	Type	Current & Voltage Control		
	Cutout relay	Closing voltage @ generator rpm	12.8 @ 1300	
		Reverse current to open	NA	
	Regulated	Voltage	14.5	
		Current	30 Amp.	
	Min. Gen. rpm required	(For Max. Output) 2950		
	Voltage test conditions	Temperature	Operating (Run Gen. 15 Min. @ 8-10 Amps. Before Testing)	
Load		10 Amps Max.		
Other		None		

## ELECTRICAL—STARTING SYSTEM

Starting motor	Make	Delco-Remy		
	Model	110766L		
	Rotation (drive end view)	Clockwise		
	Engine cranking speed	NA		
	Test conditions	Engine at Operating Temperature		
	Lock test	Amps	NA	
		Volts	NA	
		Torque (lb. ft.)	NA	
	No load test	Amps	75 (Max.)	
Volts		10.3		
RPM (min.)		6900		
Motor control	Switch (solenoid, manual)	Solenoid		
	Starting procedure	Place shift in neutral Depress Clutch	Place selector lever in park or neutral	
		Depress accelerator pedal to floor to set automatic choke, release. Turn ignition key to extreme right position to start engine.		

# AMA Consolidated Specification Questionnaire

Page 7  
Issued: 9-1-54  
Revised: 12-5-54

MAKE OF CAR Chevrolet MODEL YEAR 1957

MODEL Corvette Conventional V-8 Powerglide

## ENGINE—COOLING SYSTEM

Type (pressure system, atmospheric, other)		Pressure	
Radiator cap relief valve press.		6-1/4 - 7-1/2 PSI	
Circulation thermostat	Type (choke, bypass)	Choke	
	Starts to open at	160°	
Water pump	Type (centrifugal, other)	Centrifugal	
	Number of pumps	One	
	Drive (V-belt, other)	V-Belt	
	Bearing type	Permanently Lubricated, Double Row Ball Bearing	
By-pass recirculation type (internal, external)		Internal	
Radiator core type (cellular, tube and fin)		Cellular	
Cooling system capacity	With heater (qt.)	17	
	Without heater (qt.)	16	
Water jackets full length of cylinder (yes, no)		Yes	
Water all around cylinder (yes, no)		Yes	
Radiator hose	Lower	Number and type (molded, straight)	One, Molded
		Inside diameter and length	1-3/4 x 15
	Upper	Number and type (molded, straight)	One, Molded
		Inside diameter and length	1-1/2 x 16.50
	By-pass	Number and type (molded, straight)	None
		Inside diameter and length	None
Drive belts	Fan	Number used	One
		Angle of V	37° - 44°
		Outside length	54-3/4
	Generator	Width	5/16
		Angle of V	37° - 44°
		Outside length	54-3/4
Fan	Number of blades and spacing		1, Staggered
		Diameter	17
	Ratio—fan to crankshaft revolutions		.94:1
		Bearing type	Permanently Lubricated Double Row Ball

## AMA CONSOLIDATED SPECIFICATION QUESTIONNAIRE

Issued: 9-1-56  
 Revised: 12-5-56  
 12-27-56

Make of Car CHEVROLET Model Year 1957

Model CORVETTE

## ENGINE FUEL SYSTEM-FUEL INJECTION

Injection System	Make	Rochester Products
	Model	7014520 (7014360 with Optional Camshaft)
	Type	Constant Flow
Fuel Recommended		Premium
Fuel Pump	Type	Mechanical
	Location	Lower Right Front Corner of Engine
	Pressure Range	4-3/4 - 5-1/2 PSI
Auxiliary Fuel Filter	Type	Ten Micron
	Location	Bracketed to Engine Top Cover
Inlet Manifold Adapter-Material		Aluminum
Inlet Manifold-Material		Cast Aluminum
Air Induction (a)	Air Cleaner Type	Dry (Paper Element)
	Air Meter Location	Left Side of Engine
	Plenum Chamber	Integral with Inlet Manifold
	Ram Pipes	Eight, Integral with Inlet Manifold
	Ram Pipe Length	12 Inches
Fuel Induction		Metered as Function of Air Flow
Air/Fuel Ratio Control		Vacuum Sensitive Diaphragm Located on Fuel Meter
Fuel Cut-off Control		Vacuum Sensitive Diaphragm Located above Fuel Meter
Fuel Meter Pump	Type	Gear Type
	Location	In Fuel Meter Assembly
	Drive	Gear Driven by Flexible Shaft from Distributor
	Pressure (Max.)	300 PSI
Injection Nozzles	Number Used	Eight
	Material	Brass
	Location	Mounted on Inlet Manifold above Intake Ports
	Orifice Size-Fuel	.011
	Insulation	Bakelite Block
Automatic Choke	Type	Electric, Time-Temperature Type
	Location	On Air Meter Assembly
	Current Draw	Low Current Draw
	Fast Idle Cam	Yes

(a) - Air Intake Ducts which channel outside air to the Engine Compartment are available with the Fuel Injection Option.

# AMA Consolidated Specification Questionnaire

Issued: 9-1-56  
Revised: 12-5-56  
12-27-56

MAKE OF CAR Chevrolet MODEL YEAR 1957

MODEL <u>Corvette</u>	<u>V-8</u>	
	<u>Conventional</u>	<u>Powerglide</u>

## ENGINE—LUBRICATION SYSTEM (cont.)

Oil pump type	Gear
Normal oil pressure (lb. @ rpm)	30 PSI @ 1170-1200
Oil pressure gage type (electric or mechanical)	Electric
Type oil intake (floating, stationary)	Stationary
Oil filter type (full flow, partial flow)	Full Flow
Capacity of crankcase, less filter—refill (qt.)	5 Quart
Oil grade recommended (SAE viscosity and temperature range)	Not lower than 32° F _____ SAE 20W or SAE 20 Not lower than 0° F _____ SAE 10W or SAE 10W- Lower than 0° F _____ SAE 5W or SAE 5W-20
Oil type recommended	Heavy Duty

## ENGINE—FUEL SYSTEM

Recommended fuel	Standard head	Regular Grade (Premium Grade with Fuel Inj. & Opt. Camshaft)
	Optional head	None
Fuel Tank	Capacity (gals.)	16.4
Fuel Filter	Filler Location	Left Side of Body to Rear of Drivers Door
	Type	Strainer
	Location	Ahead of Carburetor
Fuel pump	Type (elec. or mech.)	Mechanical
	Location	Lower Right Front Corner of Engine
	Pressure range	4-3/4 - 5-1/2 PSI
	Vacuum booster (std., optl., none)	None
Carburetor	Make	Carter or Rochester
	Model number	3744925 (a)
	Number used	1
	Type	Downdraft, side inlet, other _____ Single or dual _____
	Intake manifold heat control (manual, auto., none)	Automatic
	Automatic choke type (integral, other)	Integral
	Air cleaner type	Oil Wetted
	Standard type	Dry with Paper Element (b)

## ENGINE—EXHAUST SYSTEM

Type (single, single with cross-over, dual, other)	Dual
Muffler type (rev. flow, str. thru, sep. resonator)	Straight Turn
Exhaust pipe dia.	None
	2.00 OD
tail pipe diameter	1.81 ID

- (a) - Dual four barrel carburetors or fuel injection optional.  
 (b) - Used with Fuel Injection equipment only.

# AMA Consolidated Specification Questionnaire

Page 5  
Issued: 9-1-56  
Revised: 12-5-56

MAKE OF CAR Chevrolet MODEL YEAR 1957

MODEL Corvette V-8  
Conventional Powerglide

## ENGINE—VALVE SYSTEM (cont.)

Timing	Intake	Opens (°BTC)	12° 30' (with Optional Camshaft-35°)	
		Closes (°ABC)	57° 30' (With Optional Camshaft - 72°)	
	Exhaust	Opens (°BBC)	54° 30' (With Optional Camshaft - 76°)	
		Closes (°ATC)	15° 30' (With Optional Camshaft - 31°)	
Intake	Material		Alloy Steel	
	Overall length		4.9024 - 4.9224 (a)	
	Actual overall head dia.		1.715 - 1.725	
	Angle of seat		15°	
	Seat insert material		None	
	Stem diameter		.3415 - .3422	
	Stem to guide clearance		.0010 - .0027	
	Lift		.3987 (.3938 with Optional Camshaft)	
	Outer spring press. and length	Valve closed (lb. @ in.)	1.696 @ 67-79 Lb.	
		Valve open (lb. @ in.)	1.30 @ 159-169 Lb.	
	Inner spring press. and length	Valve closed (lb. @ in.)	Valve Spring Damper 5-10 Lb.	
		Valve open (lb. @ in.)	None	
	Exhaust	Material		Alloy Steel
		Overall length		4.913 - 4.933 (b)
Actual overall head dia.		1.495 - 1.505		
Angle of seat		15°		
Seat insert material		None		
Stem diameter		.3410 - .3417		
Stem to guide clearance		.0015 - .0032		
Lift		.3987 (.3997 with Optional Camshaft)		
Outer spring press. and length		Valve closed (lb. @ in.)	69-79 Lb. @ 1.696 in.	
		Valve open (lb. @ in.)	159-169 @ 1.306 in.	
Inner spring press. and length		Valve closed (lb. @ in.)	Valve Spring Damper 5-10 Lb.	
		Valve open (lb. @ in.)	None	

## ENGINE—LUBRICATION SYSTEM

Type of lubrication (splash, pressure, nozzle)	Main bearings	Pressure
	Connecting rods	Pressure
	Piston pins	Pressurized Jet Cross Sprayed
	Camshaft bearings	Pressure
	Tappets	Pressure
	Timing gear or chain	Pressure
	Cylinder walls	Pressurized Jet Cross Sprayed

- (a) - With Fuel Injection & Optional Camshaft or dual 4-barrel & Optional Camshaft-4.8699 - 4.8899.  
 (b) - With Fuel Injection & Optional Camshaft or dual 4-barrel & Optional Camshaft-4.8905 - 4.9105.



# AMA Consolidated Specification Questionnaire

Page 4  
 Issued: 9-1-56  
 Revised: 12-5-56

MAKE OF CAR Chevrolet MODEL YEAR 1957

MODEL Corvette Conventional V-8 Powerglide

## ENGINE—CRANKSHAFT (cont.)

Vibration damper type		Inertia (Rubber Mounted)	
End thrust taken by bearing (No.)		5	
Crankshaft end play		.002 - .006	
Main bearing	Material	Steel backed aluminum alloy matrix with a thin lead alloy overplate, except rear main of steel backed babbitt	
	Type (cast-in or removable)	Removable	
	Clearance	.0008 - .0031	
	Journal dia. and bearing effective length	No. 1	2.2983 x .7620
		No. 2	2.2983 x .7620
		No. 3	2.2983 x .7620
		No. 4	2.2983 x .7620
		No. 5	2.2983 x 1.169
	No. 6	None	
	No. 7	None	
Direction offset from cyl. bore		None	
Connecting rod crankpin journal diameter		1.999 - 2.000	

## ENGINE—CAMSHAFT

Material		Cast Alloy Iron	
Bearings	Material	Babbitt on a Steel Backed Aluminum Shell	
	Number	5	
Type of drive	Gear or chain		Chain and Sprocket
	Crankshaft gear or sprocket material		Steel
	Camshaft gear or sprocket material		Cast Alloy Iron
	Timing chain	Make	Link Belt
		No. of links	46
		Width	.875
Pitch		.500	

## ENGINE—VALVE SYSTEM

Hydraulic lifters (yes, no)		Yes (a)
Special provision for valve rotation (intake, exhaust)		None
Rocker ratio		1.5:1
Operating tappet clearance (indicate hot or cold)	Intake	Zero (b)
	Exhaust	Zero (c)
Tappet clearance for timing	Intake	Zero
	Exhaust	Zero
Timing marks on fly-wheel, damper, other		Damper

- (a) - Mechanical tappets on engines equipped with optional camshaft.  
 (b) - .012 hot with mechanical tappets.  
 (c) - .018 hot with mechanical tappets.

# AMA Consolidated Specification Questionnaire

Page 3  
 Issued: 9-1-56  
 Revised: 12-5-56

MAKE OF CAR Chevrolet MODEL YEAR 1957

MODEL Corvette V-8  
Conventional Powerglide

## ENGINE—RINGS

Type (top to bottom)	No. 1 oil or comp.	Compression
	No. 2 oil or comp.	Compression
	No. 3 oil or comp.	Oil
	No. 4 oil or comp.	None
No. rings above piston pin		3
Compression	Material	Cast Alloy Iron
	Coating	Upper Chrome Plate Lower-Wear Resistant Coating
	Width	.0770 - .0785
	Gap	.010 - .020
	Maximum wall thickness	.194
Oil	Material	Rails, Steel; Expander, Stainless Steel
	Coating	Rails Chrome Plated OD
	Width	.181 - .188
	Gap	.015 - .055
	Maximum wall thickness	.168
Location of expanders		In Oil Ring Assy.

## ENGINE—PISTON PINS

Material		Chrome Steel (File Hard Case)	
Length		2.990 - 3.010	
Diameter		.9270 - .9273	
Type	Locked in rod, in piston, floating, etc.	Pressed in Rod	
	Bushing	In rod or piston	None
		Material	None
Clearance	In piston	.00015 - .00025	
	In rod	None	
Direction offset in piston		Major Thrust Side	

## ENGINE—CONNECTING RODS

Material		Forged Steel
Weight (oz.)		19.02
Length (center to center)		5.699 - 5.701
Bearing	Material	Stl. Backed Al Alloy Matrix with a Thin Lead Alloy Overplate
	Type (cast-in or removable)	Removable
	Effective length	.817
	Clearance	.0007 - .0027
	End play	.008 - .014

## ENGINE—CRANKSHAFT

Material		Forged Steel
Weight (lb.)		48

## AMA CONSOLIDATED SPECIFICATION QUESTIONNAIRE

Make of Car Chevrolet Model Year 1957Model Corvette

## ENGINE GENERAL (Continued)

## With Two Four-Barrel Carburetor Equipment:

Maximum bhp at engine rpm	245 @ 5000
Maximum torque at rpm	300 @ 3800

## With Fuel Injection Equipment:

Maximum bhp at engine rpm	250 @ 5000
Maximum torque at rpm	305 @ 3800

## With Two Four-Barrel Carburetor and Competition Camshaft Equipment:

Maximum bhp at engine rpm	270 @ 6000
Maximum torque at rpm	285 @ 4200

## With Fuel Injection and Competition Camshaft Equipment:

Maximum bhp at engine rpm	283 @ 6200
Maximum torque at rpm	290 @ 4400

# AMA Consolidated Specification Questionnaire

Page 2  
 Issued: 9-1-56  
 Revised: 12-5-56

MAKE OF CAR Chevrolet MODEL YEAR 1957

	V-8	
MODEL <u>Corvette</u>	Conventional	Powerglide

## ENGINE—GENERAL

Type	V, In-line, other	V	
	Angle of V	90°	
No. of cylinders		8	
Valve arrangement		In Head	
Bore and stroke		3.875 x 3.00	
Piston displacement, cu. in.		283	
Numbering system (front to rear)	L. Bank	1-3-5-7	
	R. Bank	2-4-6-8	
Firing order		1-8-4-3-6-5-7-2	
Compression ratio	Standard Head	9.5:1 (10.5:1 with Fuel Injection & Opt. Camshaft)	
	Optional Head	None	
Cylinders	Head Material	Cast Alloy Iron	
	Standard Optional	None	
	Sleeve—Wet, dry, other, none	None	
Number of mounting points	Front	2	
	Rear	2	
Taxable horsepower	(Dia. <sup>2</sup> x No. Cyl.) 2.5	118	
Advertised max. brake horsepower at engine RPM*	Standard head	220 @ 1,800 (a)	
	Optional head	None	
	With fuel (Octane and method)	Standard Head	87-92 Octane (Research) (b)
		Optional Head	None
Max. torque (lb. ft. @ RPM)	Standard head	300 @ 3000 (a)	
	Optional head	None	
Recommended idle speed (neutral)		475 in Neutral      425 in Drive	

## ENGINE—PISTONS

Material	Cast Aluminum Alloy with Steel Struts		
Description and finish	Machined Relief for Valve Head Clearance (Domed Piston with Machined Reliefs used with Fuel Inj. & Opt. Camshaft)		
Weight (piston only) oz.	21.12		
Clearance	Top land	.035 - .043	
	Skirt	Top	.0006 - .0010 (c)
		Bottom	NA
Ring groove depth	No. 1 ring	.2153 - .2218	
	No. 2 ring	.2153 - .2218	
	No. 3 ring	.2093 - .2158	
	No. 4 ring	None	

\*Corrected as defined by SAE Engine Test Code, with the following standard power consuming accessories: Dynamometer Exhaust, Water Pump, No fan, Generator not charging.

- (a) - See page 2a.
- (b) - With fuel injection & optional camshaft, 96-99 Octane (Research)
- (c) - Measured 2.44 inches from top of piston: .0016 - .0020 with dual four barrel carburetor or fuel injection equipment.

# AUTOMOBILE MANUFACTURERS ASSOCIATION CONSOLIDATED SPECIFICATION QUESTIONNAIRE

<b>MAKE OF CAR:</b> Chevrolet	<b>MODEL NAME</b>	<b>SYMBOL</b>
<b>COMPANY:</b> Chevrolet Motor Division General Motors Corporation Engineering Center Box 240, N. End Station Detroit 2, Michigan	Corvette	2934
<b>MODEL YEAR:</b> 1957	<b>DATE</b> 9-2-56	

Revised: 12-5-56; 12-27-56

## TABLE OF CONTENTS

General Specifications.....	1	Frame.....	16
Engine.....	2	Front Suspension.....	16
Electrical.....	8	Steering.....	17
Drive Units.....	12	Rear Suspension.....	18
Brakes.....	15	Body.....	19
Index.....	24		

- NOTES:**
1. The specifications set forth herein are those in effect at the date of compilation and are subject to change without notice.
  2. All specifications are standard for the models under which they are listed unless otherwise indicated.
  3. All dimensions are nominal engineering dimensions unless otherwise indicated.
  4. Unless otherwise indicated, specifications apply to 5 or 6 passenger, 4-door sedan or equivalent.

## GENERAL SPECIFICATIONS

Model		V-8	
		Conventional	Powerglids
Wheelbase		102.00	
Weight	Front	57.00	
	Rear	59.00	
Overall Dimensions	Length (L-103)	168.01	
	Width (W-103)	70.46	
	Height (H-101)	51.09	
Steering ratio—overall		16:1	
Turning diameter (curb to curb)		Right 36.55	Left 36.93
Shipping weight*		2737 Lbs. (Est.)	2829 Lbs. (Est.)
Transmission— (Specify standard, optional, not avail.)	Conventional	3-Speed Standard; 4-Speed Optional	
	Overdrive	None	
	Automatic	Optional	
Axle ratio	Conventional	3.70:1 (Optional 3.70:1, 4.11:1, 4.56:1) (b)	
	Overdrive	None	
	Automatic	3.55:1	
Tire size		6.70-15-4 Ply Rating	
Engine	Type	V-8	
	No. of cylinders	8	
	Valve arrangement	In Head	
	Bore and stroke	3.875 x 3.00	
	Piston displacement, cu. in.	283	
	Standard compression ratio	9.5:1 (10.5:1 with Fuel Injection & Opt. Camshaft)	
	Maximum bhp at engine rpm	220 @ 4800 (a)	
	Maximum torque at rpm	300 @ 3000 (a)	

\*Standard car weight, not including gas and water.

- (a) - See page 2a.  
(b) - See page 15.

**CORVETTE SUPPLEMENT  
ENGINE GENERAL**

Engine	3-Speed transmission	Powerglide	
Piston displacement (cubic inches)	283		
Type	Valve-in-head		
Number of cylinders	8		
Bore and stroke	3.875 x 3.00		
Compression ratio	9.5:1		
Taxable (SAE) horsepower	48		
Idling speed (RPM)	475 in neutral	425 in drive	
Compression pressure (PSI) @ cranking speed, engine hot	522	160	548
Dry weight (pounds)	Engine and clutch	672	466
	Engine, clutch, & trans.		
Lubrication	Full pressure		
Power plant mounting	4 Point rubber cushioned, strut type Front mounts and shear type rear mounts		

**ADVERTISED MAXIMUM ENGINE PERFORMANCE**

Carburetor	4-Barrel carburetor	Dual 4-barrel carburetor (optional)	Dual 4-barrel carburetor with competition camshaft (opt.)	Fuel injection (optional)	Fuel injection with competition camshaft (opt.)	
Brake horsepower	Gross	220 @ 4600 RPM	245 @ 5000 RPM	270 @ 6000 RPM	250 @ 4800 RPM	283 @ 6200 RPM
	Net	190 @ 4600 RPM	215 @ 4800 RPM	230 @ 6000 RPM	225 @ 4800 RPM	240 @ 5600 RPM
Torque (lb. ft.)	Gross	300 @ 3000 RPM	300 @ 3800 RPM	285 @ 4200 RPM	305 @ 3800 RPM	290 @ 4400 RPM
	Net	270 @ 2800 RPM	270 @ 3400 RPM	255 @ 3800 RPM	280 @ 3400 RPM	265 @ 4200 RPM

**ENGINE SPEED AND PISTON TRAVEL**

Transmission	3-Speed close ratio (regular production)	Powerglide (optional)		
Rear axle ratio	3.70:1	4.11:1 (optional)	3.55:1	
Tire Size	6.70-15-4 ply			
Crankshaft revolutions per mile	2794.0	3103.1	2680.3	
Crankshaft RPM @ 1 MPH	Low & reverse	102.4	113.8	81.3
	Second	61.0	67.7	
	Third †	46.6	51.7	44.7
Piston travel (ft. per mile)	1397.0	1551.6	1340.0	

**ADVERTISED CAR PERFORMANCE**

With 3-Speed transmission	4-barrel carburetor	Dual 4-bbl. carburetor (optional)	Dual 4-bbl. carb. and competition cam (opt.)	Fuel injection (optional)	Fuel injection & competition cam (opt.)
Model	2934				
Performance weight (pounds)*	3161	3170		3152	
Pounds/gross horsepower	14.3	12.93	11.74	12.61	11.13
Gross horsepower/cu. in. displacement	.780	.865	.865	.883	1.0
Power displacement (cu. ft./mile) §	228.8	228.8	228.8	228.8	228.8
Displacement factor (cu. ft./mile) ¶	144.8	144.8	144.8	145.7	145.7
Pounds/cubic inch displacement	11.16	11.20	11.20	11.13	11.13
With Powerglide Transmission % *					
Performance weight (pounds)*	3252	3261		3243	
Pounds/gross horsepower	14.8	13.31		12.97	
Gross horsepower/cu. in. displacement	.780	.865		.883	
Power displacement (cu. ft./mile) §	219.5%	219.5%		219.5%	
Displacement factor (cu. ft./mile) ¶	135.5%	140.36%		135.5%	
Pounds/cu. in. displacement	11.50	11.52		11.46	

\* - Curb weight plus 300 pounds (the weight of two passengers).

§ - Crankshaft rev's/mile x piston displacement ÷ 2 \*

1728

¶ - Power displacement divided by performance weight in tons.

% - Data computed assuming zero slippage in the torque converter.

MPH is determined by dividing the known engine RPM by the engine RPM for one mile per hour.

† - Also known as N/V factor.

10-29-56 • - Data revised 5-15-57

70 - CORVETTE SUPPLEMENT

CHEVROLET 1957 SPECIFICATIONS - PASSENGER

GENERAL DATA - CHASSIS-Continued

Front Springs:

Make and type ----- Own, coil  
 Material and gauge ----- Chrome alloy steel .547-.553  
 Number of coils ----- Total 9.75; active 7.94  
 Diameter ----- Outside 4.30; pitch 3.752  
 Height ----- Free 13.45; working 9.62@ 1145 lb.  
 Height under curb weight ----- 9.72  
 Capacity at ground ----- 800 lb.  
 Deflection rate  
 At spring ----- 300 lb/in.  
 At wheel ----- 110 lb/in.

Front Shock Absorbers:

Make and type ----- Delco, direct double acting  
 Mounting ----- Vertically from lower control arm  
 through coil spring to front suspension crossmember  
 Model number ----- 538F  
 Valve code ----- 3.5G6/oxr/P 1.25  
 Piston diameter and travel ----- 1.00x4.68

Rear Springs:

Make ----- Own  
 Type ----- Semi-elliptic  
 Material ----- Alloy steel  
 Length and width ----- 51x2.0  
 Spring clips ----- Clinch type-3  
 Bolt type-1  
 Total -4  
 Number of leaves ----- 4  
 Leaf thickness ----- Number 1 & 3 ----- .282  
 Number 2 ----- .313  
 Number 4 ----- .262  
 Total ----- 1.159  
 Capacity ----- At pad ----- 575 lb.  
 At ground ----- 725 lb.

Rear Shock Absorbers:

Make & type ----- Delco, direct double acting  
 Mounting ----- Stem attached to slotted  
 holes in flanged "U" shaped rear  
 crossmember, eye attached at  
 bottom to an anchor bolt on rear  
 spring "U" bolt and shock absorber  
 anchor bolt plate.  
 Model ----- 560P  
 Valve code ----- 4D6/oxh/j 1.25  
 Piston diameter and travel ----- 1.0x6.69

Steering:

Steering gear ratio ----- 16:1  
 Steering wheel diameter ----- 17.25  
 Turning diameters  
 Right-wall to wall ----- 38.38 ft.  
 Left-wall to wall ----- 38.99 ft.  
 Right-curb to curb ----- 36.55 ft.  
 Left-curb to curb ----- 36.93 ft.  
 Overall steering ratio ----- 21:1

Drive Line:

Type ----- Hotchkiss drive,  
 one propeller shaft. for more  
 detailed data see page 38.

Rear Axle:

Type ----- Hypoid  
 Ratio  
 With 3-speed trans-regular ----- 3.70:1  
 optional ----- 4.11:1  
 With Powerglide trans. ----- 3.55:1  
 Gear combination  
 With 3-speed trans-regular ----- 37 & 10  
 optional ----- 37 & 9  
 With Powerglide trans. ----- 39 & 11  
 Gear reduction  
 With 3.70:1 axle: first ----- 8.18  
 second ----- 4.88  
 direct ----- 3.70  
 reverse ----- 8.18  
 With 4.11:1 axle: first ----- 9.08  
 second ----- 5.46  
 direct ----- 4.11  
 reverse ----- 9.08  
 With 3.55:1 axle: drive ----- 13.6:1-1:1  
 low ----- 13.6:1-6.5:1  
 reverse ----- 13.6:1-6.5:1

Actual axle shaft torque (low gear)

3.70:1 axle ----- 18.76  
 4.11:1 axle ----- 19.82

Brakes-Service:

Type ----- Servo, 4 wheel hydraulic  
 Brake size  
 Front ----- 11x2  
 Rear ----- 11x1 3/4  
 Brake drums  
 Diameter front & rear ----- 11  
 Total effective area ----- 259 sq. in.  
 Lining sizes (length x width x thickness)  
 Front-primary ----- 9.29x2.0x.175  
 secondary ----- 11.69x2.0x.175  
 Rear- primary ----- 9.29x1.75x.175  
 secondary ----- 11.69x1.75x.175  
 Total lining effective area ----- 157 sq. in.  
 Wheel cylinder bore  
 Front ----- 1.125  
 Rear ----- 1.000  
 Master cylinder bore ----- 1.000  
 Pedal travel ----- 4.50  
 Shoe clearance adjustment ----- Adjust  
 to light drag and back  
 off seven notches.

Brakes-Parking:

Type of control ----- "T" handle pull rods  
 Location of control ----- L.H. of steering column  
 Operate on ----- Rear service brakes  
 Transmissions (for detailed data see pages 60 & 61)

3 speed close ratio

1st gear ----- 2.21:1  
 2nd gear ----- 1.32:1  
 3rd gear ----- 1.00:1

Powerglide

----- Same as  
 passenger car Powerglide (see page 61)  
 except selector lever is mounted on  
 floor to right of driver.

Tachometer:

Make ----- AC  
 Model ----- W  
 Type ----- Mechanical

GENERAL DATA - CHASSIS

VEHICLE SERIAL NUMBER

Series designation  
 E ----- 8 cylinder engine  
 S ----- St Louis

ENGINE IDENTIFICATION x

Type & designation  
 With 3-speed transmission ----- EF  
 With 3-spd. trans. two 4 bbl. carb & spec. cam. -- EG  
 With 3-speed trans and two 4 bbl. carb. ----- EH  
 With 3-spd. trans., Fuel Inj. & spec. camshaft --- EL  
 With 3-speed trans. & Fuel Injection ----- EM  
 With two 4 bbl. carb. and Powerglide ----- FG  
 With Fuel Injection and Powerglide ----- FK  
 With Powerglide ----- FH

REAR AXLE IDENTIFICATION

Type and designation  
 With 3-spd. trans. (3.70:1 ratio) -----AH  
 With Powerglide (3.55:1 ratio) -----AE  
 Limited slip differential (3.70:1 ratio) -----AN  
 Limited slip differential (4.11:1 ratio) -----AP  
 Limited slip differential (4.56:1 ratio) -----AQ  
 Lim. slip diff. HD sus & brake(3.70:1 ratio) -----AS x  
 Lim. slip diff. HD sus & brake(4.11:1 ratio) -----AT x  
 Lim. slip diff. HD sus & brake(4.56:1 ratio) -----AU x

DIMENSIONS

Wheelbase ----- 101.85  
 Length (overall) ----- 168.01  
 Width (overall) ----- 70.46  
 Height (ground to top of windshield at centerline) . . . . .  
 . . . . . 49.20  
 Height (overall loaded)  
 Folding top ----- 51.09  
 Hard top ----- 50.98  
 Angle of approach ----- 28°01'  
 Angle of departure ----- 18°50'  
 Treads;  
 Front ----- 57.00  
 Rear ----- 59.00

VEHICLE WEIGHTS \*

Powerglide transmission  
 Shipping ----- 2796 lb.  
 Curb ----- 2941 lb.  
 Loaded ----- 3241 lb.  
 3-speed transmission  
 Shipping ----- 2704 lb.  
 Curb ----- 2849 lb.  
 Loaded ----- 3149 lb.  
 Optional hard top ----- 55 lb.

\* - Curb weight: This is the weight of the empty vehicle ready to drive. It is the shipping weight plus the weight of gasoline (107) and water (38 lb.)  
 For definition of shipping weight see page 13.

BODY GLASS

Windshield ----- Laminated safety plate  
 Side doors ----- Laminated safety plate  
 Canvas top,  
 Rear window ----- Vinyl plastic  
 Hard Top,  
 Rear window ----- Acrylic plastic (plexiglass)  
 Rear quarter window --- Acrylic plastic (plexiglass)

10-29-56 x - Data added 5-15-57  
 68 - CORVETTE SUPPLEMENT

FRONT WHEEL ALIGNMENT (Service data)

Camber ----- 0°-1°  
 Caster ----- 0°-1°  
 King pin inclination ----- 3°30'-4°-30'  
 Toe in ----- 0-.125

FRAME

Make & type ----- Own, box girder with "X" member  
 Maximum overall length ----- 139.28  
 Maximum overall width (over side members)--- 43.24  
 Material ----- Hot rolled steel  
 Material yield point ----- 33,000 lb./sq. in.  
 Material elongation ----- 25% minimum in 2 in.  
 Side member section modulus (inches cubed)--- 1.677  
 Moment of inertia (in<sup>4</sup>)----- 4.930  
 Construction:  
 Side members ----- Box section, each composed of two full length channel sections welded together.  
 Front suspension cross member ----- Flanged semi-tubular section with flat steel bottom plate welded on.  
 Rear shock absorber upper mounting cross member. ----- Inverted channel section.  
 Rear cross member ----- Box section composed of a flanged channel section and a welded on bottom plate.  
 Center "X" member ----- Composed of I-beam sections attached to side members at the end of each leg of the "X". Also attached to the forward section of side members by long angular braces from the front legs of the "X".  
 Body mounting points ----- 10

KING PINS

Diameter ----- .8660-.8665  
 Bushings  
 Inside diameter ----- .867-.868  
 Length ----- 1.312

STEERING KNUCKLE

Type ----- Reverse Elliot  
 Spindle diameter:  
 At inner bearing ----- 1.2801-1.2806  
 At outer bearing ----- .7490-.7495

SPRING MOUNTING

Type ----- Parallel 47.24 between centers  
 Front eye bolt diameter ----- .498-.502  
 Shackle mounting ----- Outrigger type  
 Shackle type ----- Rubber bushed  
 Shackle pin O.D. ----- .620-.625



## EXTERIOR - INTERIOR COLOR COMBINATIONS

BODY COLOR	DOOR & FRONT FENDER DEPRESSION*	CONVERTIBLE TOP	WHEELS	INTERIOR TRIM	UPPER INSTRUMENT PANEL	LOWER INSTRUMENT PANEL, STEERING COLUMN, DIRECTION SIGNAL HOUSING, STEERING WHEEL HUB AND PLASTIC SIDEWALL PANEL	STEERING WHEEL
Onyx Black	Silver	Black or White	Black	Red	Black	Red	Red
Aztec Copper	Beige	Beige or White	Copper	Beige	Copper	Beige	Beige
Cascade Green	Beige	Beige or White	Green	Beige	Green	Beige	Beige
Arctic Blue	Silver	Beige or White	Blue	Red	Blue	Beige	Red
				Beige	Blue	Beige	Beige
Venetian Red	Beige	Beige or White	Red	Red	Red	Beige	Red
Polo White	Silver	Black or White	Red	Red	Red	White	Red

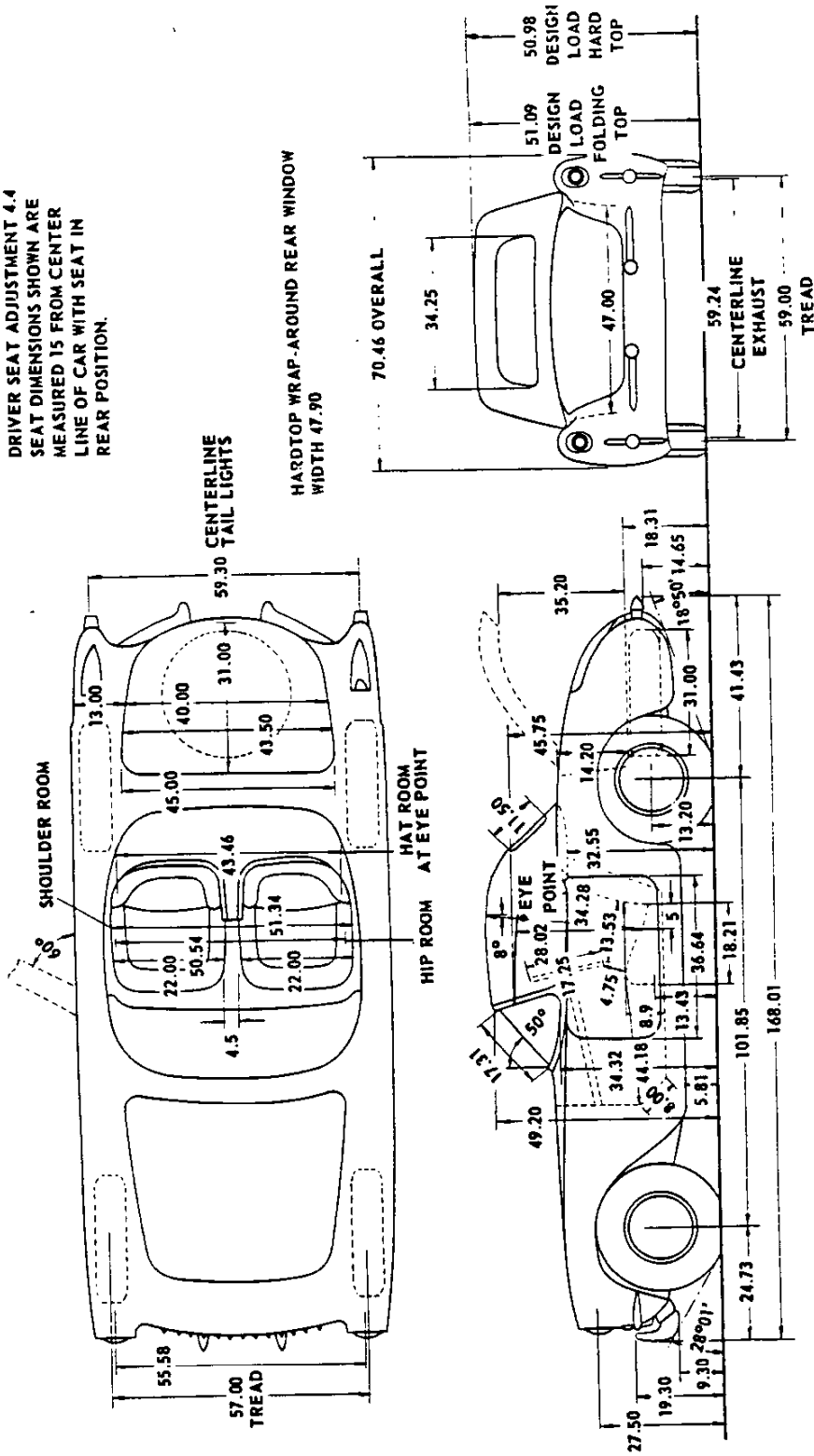
\* - Front fender depression is also available painted body color.

## INTERIOR COLORS AND FABRICS

AREA		MATERIAL	TRIM COMBINATION			
			RED	BEIGE		
Seats	Cushion	Waffle Pattern Vinyl	Red	Beige		
	Backrest					
	Cushion Bolster	Leather Grain Vinyl				
	Backrest Bolster					
Sidewalls	Top Roll	Waffle Pattern Vinyl	Red	Beige		
	Upper Panel					
	Decorative Molding	Metal			Bright	
	Lower Panel & Armrest	Leather Grain Vinyl			Red	Beige
	Scuff Pad	Textured Metal			Bright	
Cowl Side Kick Panels		Waffle Pattern Vinyl	Red	Beige		
Windlace		Leather Grain Vinyl				
Floor Covering		Carpet	Red	Copper		
Top Storage Well		Paint	Red	Beige		
Rear Compartment	Mat	Rubber	Red	Black		
	Trim Board	Composition Board	Red	Beige		

CORVETTE DIMENSIONAL

DRIVER SEAT ADJUSTMENT 4.4  
SEAT DIMENSIONS SHOWN ARE  
MEASURED 15 FROM CENTER  
LINE OF CAR WITH SEAT IN  
REAR POSITION.



CORVETTE CONVERTIBLE (MODEL 2934)

**CORVETTE SUPPLEMENT**