

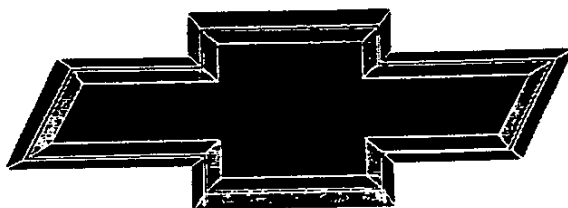
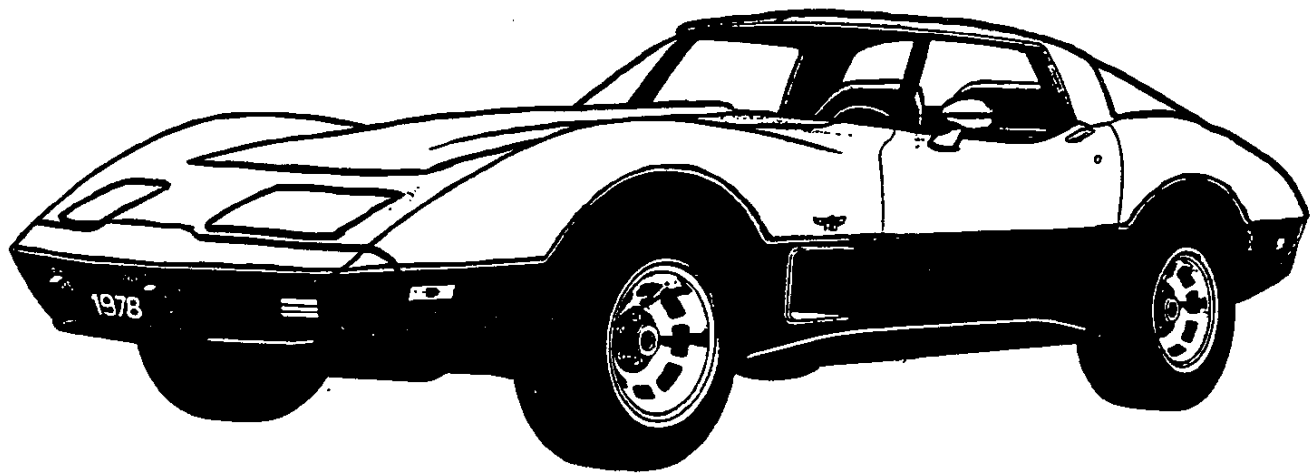




1978

CORVETTE

SPECIFICATIONS



GENUINE CHEVROLET™

SECTION 0A GENERAL INFORMATION

CONTENTS

General	0A-1
Body Identification Plate	0A-1
Vehicle Identification Number	0A-1
Unit Identification	0A-2

GENERAL

Information to identify the vehicle and vehicle components appears in this section. Detailed specifications on major units are given at the end of each respective section in this manual.

BODY IDENTIFICATION PLATE

The body identification plate (fig. 0A-1), is located on upper horizontal surface of shroud.

The body identification plate identifies:

- model year
- car division
- body type
- series
- body style
- assembly plant
- body number
- trim combination
- modular seat code
- paint code
- date build code

VEHICLE IDENTIFICATION NUMBER (VIN)

This is the legal identification of the vehicle. It appears on a plate which is attached to the windshield pillar, and can be easily seen through the windshield from outside the car (fig. 0A-2). The VIN also appears on the Vehicle Certificates of Title and Registration.

Division Code

The first number of the VIN is the code for the Division designing and producing the car.

Series Code

The second number in the VIN is the one letter code identifying the series as shown in Fig. 0A-3.

Body Style Code

The third and fourth numbers of the VIN identify the body style of the car. See Fig. 0A-3.

Engine Code

The fifth number of the VIN is a one-letter code identifying the engine used on the car. See Fig. 0A-3 for engine identification.

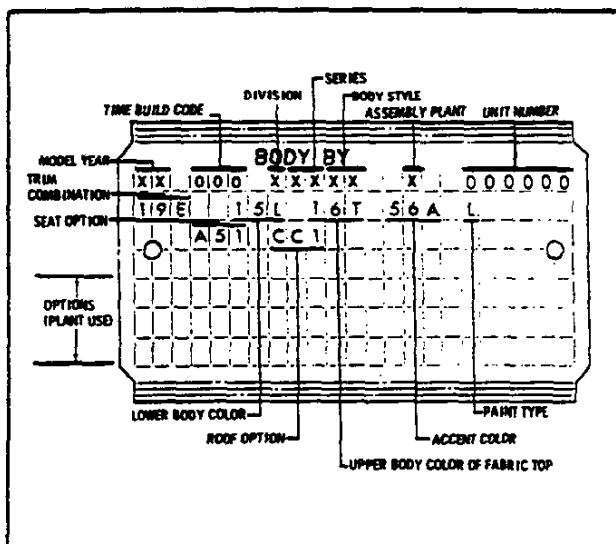


Fig. 0A-1—Body Identification Plate

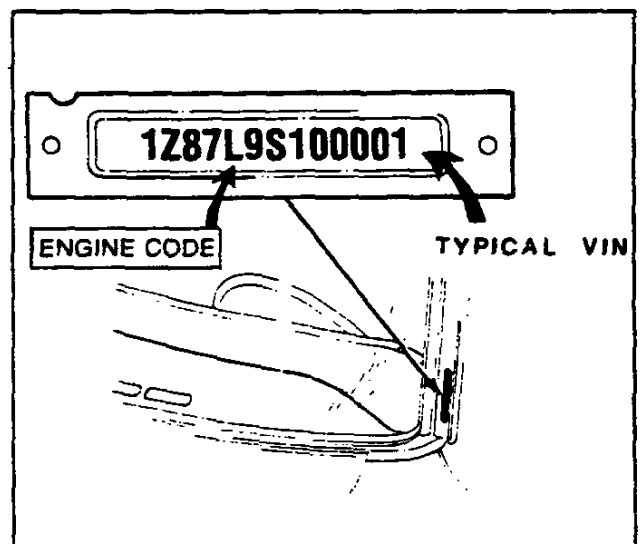


Fig. 0A-2—Vehicle Identification Number Location

VEHICLE IDENTIFICATION NUMBER

SAMPLE NO.

1Z8789S100001

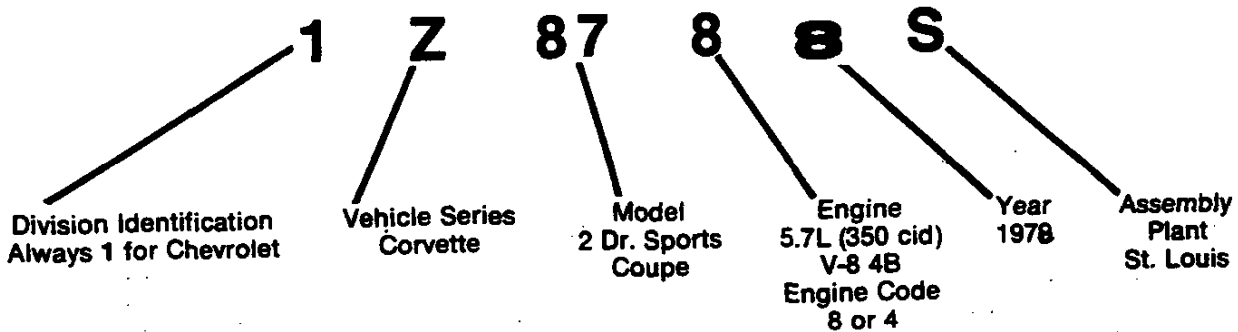


Fig. 0A-3—Vehicle Identification Number

Model Year Code

The number "8" in the sixth position of the VIN represents the model year, 1978.

Assembly Plant Code

The GM assembly plant at which the car was assembled is identified by the one-letter (or number) code in the seventh position in the VIN shown in Fig. 0A-3.

Plant Sequential Number

The last six numbers of the vehicle identification number (VIN) serves as a serial number to identify a specific 1979 model from other similar models assembled at the

same plant during the model production.

UNIT IDENTIFICATION NUMBERS

For the convenience of service personnel when writing up certain business papers such as Warranty Claims or Product Information Reports, the following chart and Figures 0A-4 through 0A-6 indicate location of various components unit identification numbers.

VEHICLE COMPONENT IDENTIFICATION NUMBER LOCATION

Component	Type	Location
Transmission	4-Speed (83 mm) 4 Speed (76 mm) Automatic 350 Automatic 200	Drivers side adjacent to rear of cover Drivers side, below side cover Right vertical surface of oil pan Tag on passenger side of transmission extension
Rear Axle Number	Corvette	On bottom surface of carrier at cover mounting flange
Generator	All	On top drive end frame
Starter	All	Stamped on outer case, toward rear
Battery	All	On cell cover segment, top of battery

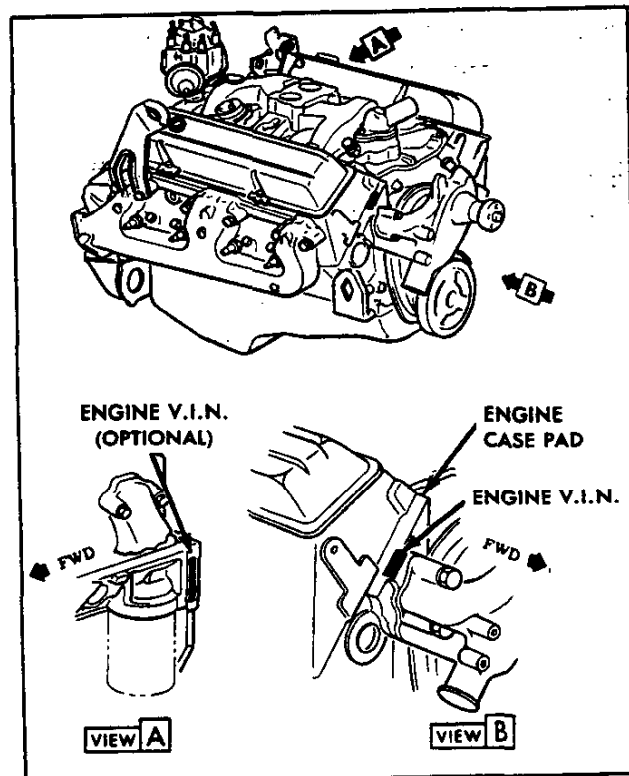


Fig. 0A-4--Engine V.I.N. Location

OA-4 GENERAL INFORMATION

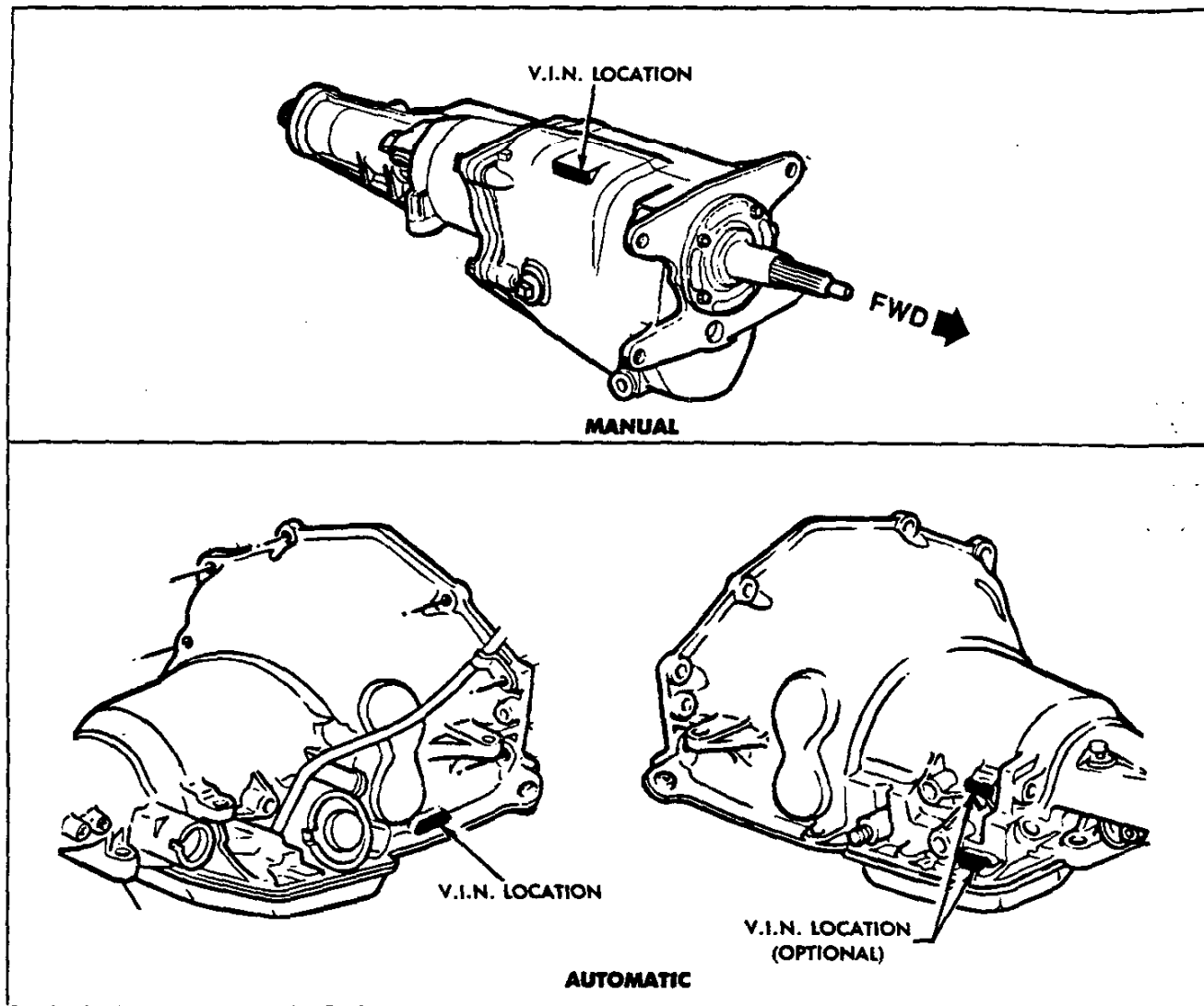


Fig. OA-5-Transmission V.I.N. Location

SECTION OB
MAINTENANCE AND LUBRICATION
CONTENTS

General	OB-1
Maintenance Schedule	OB-2
Lubricant and General Maintenance	OB-3
Safety Maintenance	OB-8
Emission Control	OB-9
Specifications	OB-10
Recommended Fluids and Lubricants	OB-10
Fluid Capacities	OB-11
Vehicle Lifting Points	OB-12

GENERAL

The maintenance schedule follow two basic formats, Schedule I and II. The major difference between the two schedules is Section "C" or Emission Control Maintenance (fig. OB-1). Schedule I or Schedule II is tied to the engine family number as shown on the emission control label under

the hood area. Vehicles shown the Schedule I or Schedule II designation on the label.

The maintenance schedule is provided in the glove box with the car.

OB-2 MAINTENANCE AND LUBRICATION

MAINTENANCE SCHEDULE

When To Perform Services (Months or Miles, Whichever Occurs First)	Item No.	Services (For Details, See Numbered Paragraphs)
SECTION A — Lubrication and General Maintenance		
Every 12 Months or 7,500 Miles (12 000 km)	A-1	• Chassis Lubrication
	A-2	• Fluid Levels Check
	A-3	Clutch Pedal Free Travel Check/Adjust.
	A-4	* Engine Oil Change
	A-5	* Oil Filter Change
See Explanation	A-6	Tire Rotation (Radial Tires)
	A-7	Rear Axle Lube Change & Manual Trans. Check
Every 12 Months or 15,000 Miles (24 000 km)	A-8	* Cooling System Check — See Explanation
Every 30,000 Miles (48 000 km)	A-9	Wheel Bearing Repack
	A-10	Manual Steering Gear Seals Check
	A-11	Clutch Cross Shaft Lubrication
Every 100,000 Miles (160 000 km)	A-12	Auto. Trans. Fluid & Filter Change
SECTION B — Safety Maintenance		
Every 12 Months or 7,500 Miles (12 000 km)	B-1	Owner Safety Checks
	B-2	Tire, Wheel and Disc Brake Check
	B-3	* Exhaust System Check
	B-4	Suspension and Steering Check
	B-5	Brake and Power Steering Check
Every 12 Months or 15,000 Miles (24 000 km)	B-6	* Drive Belt Check
	B-7	Parking Brake Check
	B-8	Throttle Linkage Check
	B-9	Bumper Check
SECTION C — Emission Control Maintenance Schedule I		
At first 6 Months or 7,500 Miles (12 000 km) Then at 18-Month/ 22,500-Mile (36 000 km)	C-1	Thermo Controlled Air Cleaner Check
	C-2	Carburetor Choke & Hoses Check
	C-3	Engine Idle Speed Adjustment
	C-4	EFE System Check (if so equipped)
	C-5	Carburetor Mounting Torque
	C-6	Vacuum Advance System & Hoses Check
Every 12 Months or 15,000 Miles (24 000 km)	C-7	Fuel Filter Replacement
	C-8	PCV System Check — PCV Valve & Filter — See Explanation
Every 22,500 Miles (36 000 km)	C-9	Spark Plug Wires Check
	C-10	Idle Stop Solenoid and/or Dashpot Check
	C-11	Spark Plug Replacement
	C-12	Engine Timing Adjust. & Distrib. Check
	C-13	Carburetor Vacuum Break Check
Every 30,000 Miles (48 000 km)	C-14	Air Cleaner Element Replacement
Every 24 Months or 30,000 Miles (48 000 km)	C-15	ECS System Check & Filter Replacement
	C-16	Fuel Cap, Tank and Lines Check
SECTION C — Emission Control Maintenance Schedule II		
At first 6 Months or 7,500 Miles (12 000 km) — Then 24-Month/ 30,000-Mile (48 000 km) , Except C-2, Which Requires Service at 45,000 Miles (72 000 km)	C-1	Thermo. Controlled Air Cleaner Check
	C-2	Carburetor Choke & Hoses Check
	C-3	Engine Idle Speed Adjustment
	C-4	EFE System Check (if so equipped)
	C-5	Carburetor Mounting Torque
Every 12 Months or 15,000 Miles (24 000 km)	C-6	Vacuum Advance System & Hoses Check
	C-7	Fuel Filter Replacement
	C-8	PCV System Check — PCV Valve & Filter — See Explanation
Every 15,000 Miles (24 000 km)	C-9	Spark Plug Wires Check
Every 30,000 Miles (48 000 km)	C-10	Idle Stop Solenoid and/or Dashpot Check
	C-11	Spark Plug Replacement
	C-12	Engine Timing Adjust. & Distrib. Check
	C-13	Carburetor Vacuum Break Check
	C-14	Air Cleaner Element Replacement
	C-15	ECS System Check & Filter Replacement
Every 24 Months or 30,000 Miles (48 000 km)	C-16	Fuel Cap, Tank and Lines Check

• Also a Safety Service

* Also an Emission Control Service

Fig. OB-1—Vehicle Maintenance Schedule

MAINTENANCE SCHEDULE

This is an explanation of the service listed in the Vehicle Maintenance Schedule.

NORMAL VEHICLE USE-The maintenance instructions contained in the maintenance schedule are based on the assumption that the car will be used as designed:

- To carry passengers and cargo within the limitations indicated on the Tire Placard located on the edge of the driver's door,

- on reasonable road surfaces within legal operating limits,

- on a daily basis, as a general rule, for at least several miles/kilometres, and

- on unleaded gasoline.

Unusual operating conditions will require more frequent vehicle maintenance as specified in the respective sections.

SECTION A

LUBE & GENERAL MAINTENANCE

A-1 Chassis

Any significant fluid loss in any of following systems or units could mean that a malfunction is developing and corrective action should be taken immediately.

Lubricate the following system or units:

Front Suspension

Lubricate fittings with water resistant EP chassis lubricant which meets GM Specification 6031M.

NOTICE: Ball joints should not be lubricated unless their temperature is 10°F (-12°C), or higher. During cold weather, they should be allowed to warm up as necessary before being lubricated.

Steering Linkage

(Also a Safety Service)

Lubricate fittings with water resistant EP chassis lubricant which meets GM Specification 6031M.

Transmission Shift Linkage (Manual and Automatic)

(Also Safety Service)

Lubricate shift linkage and on manual transmission floor controls lever contacting faces with water resistant EP chassis lubricant which meets GM specification 6031M.

Hood Latches

Lubricate hood latch assembly and hood hinge assembly as follows:

1. Wipe off any accumulation of dirt or contamination on latch parts.

2. Apply Lubriplate or equivalent to latch pilot bolts and latch locking plate.

3. Apply light engine oil to all pivot points in release mechanism, as well as primary and secondary latch mechanisms.

4. Lubricate hood hinges.

5. Make hood hinge and latch mechanism functional check to assure the assembly is working correctly.

Hinges

The following points should be checked and lubricated: hinges on all doors, fuel filler door, door lock striker and door jamb switches.

Parking Brake Pulley, Cable and Linkage

(Also a Safety Service)

Apply water resistant EP chassis lubricant which meets GM specification 6031M, to parking brake cable at cable guides and at all operating links and levers.

Accelerator Linkage

(Also a Safety Service)

Lubricate carburetor stud and carburetor lever and accelerator pedal lever at support with engine oil.

Body Lubrication

See Body Service Manual for body lubrication.

A-2 Fluid Levels

Check battery and the following fluid levels:

Battery Care

The original equipment battery needs no periodic maintenance. Its top is permanently sealed (except for two small vent holes) and has no filler caps. Water will never have to be added.

Check for damage which could allow electrolyte leak such as cracked or broken case or cover. Check terminals and terminal area for broken parts and inspect for cracks.

The hydrometer (test indicator) in the top of the battery provides information for testing purposes only. See Section 6D for battery test procedures.

CAUTION: Follow the precautions listed below when jump starting or when working on or near the battery. The instructions below must be followed exactly or personal injury (particularly to eyes) or property damage may result from battery explosion, battery acid, or electrical (short circuit) burns.

- THE MAJOR SAFETY PRECAUTION IS TO MAKE THE FINAL CONNECTION TO GROUND (A SOLID STATIONARY METALLIC OBJECT) ON THE ENGINE AT SOME DISTANCE FROM THE BATTERY. THIS HELPS REDUCE THE CHANCE OF AN EXPLOSION DUE TO SPARKS.

- To lessen the chance of an explosion, never expose the battery to open flames or electric sparks. Also do not smoke near the battery. Batteries give off a gas which is flammable and

OB-4 MAINTENANCE AND LUBRICATION

explosive.

- To lessen the risk of injury in case an explosion does occur, wear eye protection or shield your eyes when working near any battery. Do not lean over a battery.

- Do not allow battery fluid to contact eyes, skin, fabrics, or painted surfaces because battery fluid is a corrosive acid. Flush any contacted area with water immediately and thoroughly. Also get medical help if eyes are affected.

- To lessen the risk of a short circuit, remove rings, metal watch bands and other metal jewelry. Also do not allow metal tools to contact at the same time the positive battery terminal (or any metal connected to this terminal) and any other metal on the vehicle.

Make certain when attaching the jumper cable clamps to the positive terminals of the batteries that neither clamp contacts any other metal.

Master Cylinder

(Also a Safety Service)

Check fluid level in each reservoir and maintain 1/4" below lowest edge of each filler opening with Delco Supreme No. 11 or DOT-3 hydraulic brake fluid, or equivalent.

A low fluid level in the brake master cylinder can indicate worn disc brake pads, and should be checked accordingly.

Power Steering System

(Also a Safety Service)

Add GM Power Steering Fluid (GM 1050017) or equivalent as necessary (fig. OB-2):

- If fluid is warmed up (about 150°F or 66°C--hot to the touch), it should be between "Hot" and "Cold" marks on the filler cap indicator.

- If cool (about 70°F or 21°C), fluid should be between "Add" and "Cold" marks.

Fluid does not need periodic changing.

Rear Axle (Limited-Slip) Lubricant

Check lubricant level. Add lubricant, if necessary, to fill to level of filler plug hole. Use gear lubricant GM 1052271/1052272 or equivalent.

Automatic Transmission Fluid

Use only automatic transmission fluid labeled DEXRON® II or equivalent.

Check the automatic transmission fluid level at each engine oil change period. Overfilling can cause foaming and loss of fluid. Transmission damage can result. Low fluid level can cause slipping or loss of drive.

Automatic transmissions are often overfilled because the fluid level is checked when the fluid is cold. When cold, the dipstick shows that fluid should be added. However, the low reading is normal, the level will rise as the fluid gets warm. The fluid level will increase more than 3/4 inch (19mm) as fluid warms up from 60°F to 180°F (16°C to 82°C).

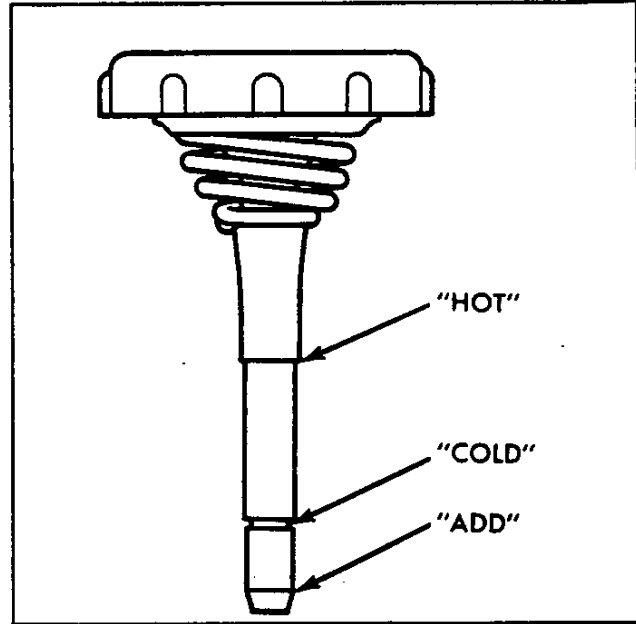


Fig. OB-2--Power Steering Filler Cap

Check the transmission fluid level with the engine running, the shift lever in "Park", and the car level.

NOTICE: If the car has just been driven for a long time at high speed or in city traffic in hot weather, or if the car has been pulling a trailer, the correct fluid level cannot be read. Wait until the fluid has cooled down (about 30 minutes).

Remove the dipstick. Carefully touch the wet end of the dipstick to find out if the fluid is cool, warm or hot. Wipe it clean and push it back in until cap seats. Pull out the dipstick and read the fluid level (fig. OB-3).

- If it felt cool, about room temperature, the level should be 1/8 to 3/8 inch (3 to 10mm) below the "Add" mark. The dipstick has two dimples below the "Add" mark to show this range.

- If it felt warm, the level should be close to the "Add" mark (either above or below).

- If it was too hot to hold, the level should be at the "Full" mark.

NOTICE: DO NOT OVERFILL it takes only one pint (0.5 litre) to raise level from "Add" to "Full" with a hot transmission.

Manual Transmission Lubricant

Check lubricant level. Add lubricant, if necessary, to fill to level of filler plug hole.

Use SAE 80W GL-5 or SAE 80W-90 GL-5 gear lubricant. For those vehicles driven in Canada, use SAE 80W GL-5 gear lubricant.

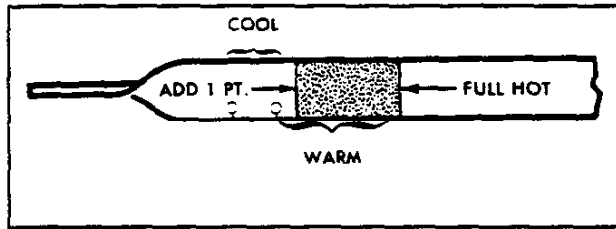


Fig. 0B-3—Automatic Transmission Dipstick

Windshield Washer Fluid

(Also a Safety Service)

Fill the washer jar only 3/4 full during the winter to allow for expansion if the temperature should fall low enough to freeze the solution.

- Check the washer fluid level regularly—do it often when the weather is bad.
- Use a fluid such as GM Optikleen or equivalent to help prevent freezing damage, and for better cleaning.
- Do not use radiator antifreeze in the windshield washer; it could cause paint damage.
- In cold weather, warm the windshield with the defrosters before using the washer—to help prevent icing that may block the driver's vision.

Cooling System Care

Do not remove radiator cap to check coolant level. Instead, check by looking at the "see through" coolant recovery tank. Level should be at the "Full Cold" mark on the recovery tank when the system is cold; and at the "Full Hot" mark during engine operation. Add a 50/50 mixture of a good quality ethylene glycol antifreeze and water to the recovery tank when more coolant is needed. If frequent additions are needed, cooling system.

NOTICE: If the proper quality antifreeze is used, there is no need to add extra inhibitors or additives that claim to improve the system. They may be harmful to the proper operation of the system, and are an unnecessary expense.

A-3 Manual Transmission Clutch Adjustment

Clutch adjustment should be checked and adjusted as necessary to compensate for clutch facing wear. To check, depress pedal by hand until resistance is felt. Free travel should be approximately one to one and a half inches; if very little or no free travel is evident, clutch adjustment is required.

A-4 & 5 Engine Oil and Filter

(Also an Emission Service)

Engine Oil and Filter Recommendations

- Use only SE quality engine oils (see markings on containers). Do not use engine oil marked SE/CD.
- Change oil each 7,500 miles (12 000 km) or once a year, whichever occurs first. Change oil filter at the first oil change and each second oil change after that, if the car is driven more than 7,500 miles (12 000 km) per year. If oil is changed once a year, change the filter each time you change oil.

- Change oil and filter each 3,000 miles (4 800 km) or 3 months if often:

- Driving in dusty areas
- Pulling a trailer
- Idling for long periods
- Driving 4 miles (6 kilometres) or less in freezing weather.
- After driving in a dust storm, change the oil and filter as soon as you can.

• The oil and filter change intervals for the engine is based on the use of SE quality oils and high quality filters like AC oil filters or equivalent. Use of non-SE oils or oil change intervals longer than listed, could reduce engine life and might affect warranty.

• The engine was filled with an SE quality engine oil when it was built. You do not have to change this oil before the suggested change period. Check the oil level often when engine is new.

Oil Viscosity

Use the chart (fig. 0B-4) to select the proper oil thickness (called viscosity or SAE Viscosity Grade) for the temperature range expected before next oil change. This helps cold and hot starting. It will also give good engine life, and fuel and oil mileage.

Checking Oil Level

• **Warm** The best time to check the engine oil level is when the oil is warm. First allow the oil to drain back to the oil pan. Then pull the dipstick out, wipe it clean, and push it back down all the way. Now pull the dipstick out and look at the oil level on the dipstick. Some dipsticks are marked with "Add" and "Full" lines. Others are marked "add 1 Qt." and "Operating Range. In all cases the oil level should be kept above the "Add" line. Push the dipstick back down all the way after taking the reading. Add oil if needed.

• **Cold** If oil level is checked when oil is cold, do not run the engine first. The cold oil will not drain back fast enough to the pan to give a true oil level.

Engine Oil Additives

The engine should not need these extra engine oil helpers or additives if SE quality engine oil is used and changed as suggested. If you think your engine has an oil related problem, refer to Section 6A.

A-6 Tire Rotation

To equalize wear, rotate tires as illustrated in Figure 0B-5 and adjust tire pressures as shown on the tire placard which is located on the left front door edge. Radial tires should be rotated at first 7,500 miles (12 000 km) and then at least every 15,000 miles (24 000 km) thereafter.

Inflation Pressure

The cold inflation pressures listed on the Tire Placard provide for the best balance of tire life, riding comfort, and vehicle handling under normal driving conditions. Incorrect tire inflation pressures can have adverse effects on tire life and vehicle performance (fig. 0B-6). Too low an air pressure causes increased tire flexing and heat build-up. This weakens the tire and increases the chance of damage or failure. It can result in tire overloading, abnormal tire wear, adverse vehicle handling, and reduced fuel mileage. To high

OB-6 MAINTENANCE AND LUBRICATION

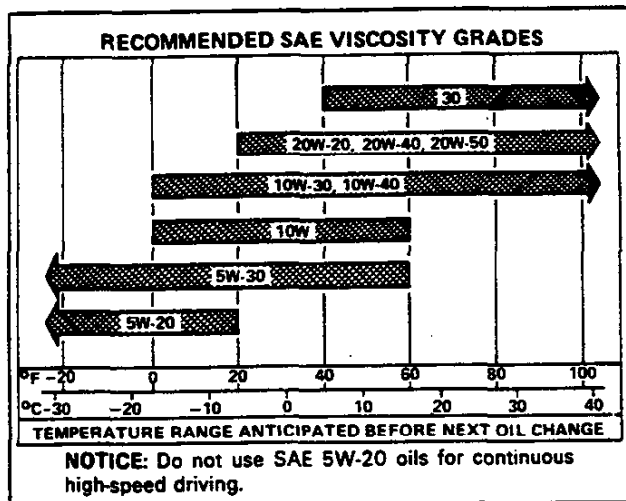


Fig. OB-4—Engine Oil Viscosity Chart

an air pressure can result in abnormal wear, harsh ride, and also increase the chance of damage from road hazards.

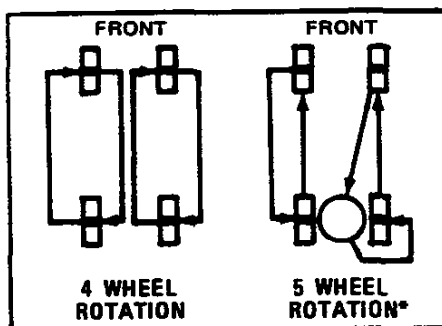
Tire inflation pressures should be checked (this includes the spare tire, unless it is a stowaway spare) at least monthly and when significantly changing the load in the vehicle. Always check tire inflation pressures when tires are "cold."

1. The "cold" tire inflation pressure applies to the tire pressure when a vehicle has not been driven more than one mile (1.6 kilometre) after sitting for three hours or more.

2. It is normal for tire pressures to increase 4-8 psi (30-60 kPa) or more when the tires become hot from driving. Do not "bleed" or reduce tire inflation pressures after driving car. Bleeding serves to reduce "cold" inflation pressure and increase tire flexing which can result in tire damage and failure.

3. For sustained driving at speeds of 75 mph to 85 mph (120 km/h to 140 km/h) in countries where permitted by law, cold inflation pressures must be increased 4 psi (30 kPa) above the stated cold inflation pressures on the Tire Placard up to the maximum for each load range stated in the chart below.

Sustained speeds of 75 mph to 85 mph (120 km/h to 140 km/h) are not advised when the 4 psi



*Do not include "temporary use only" spare tire in rotation.

Fig. OB-5—Tire Rotation

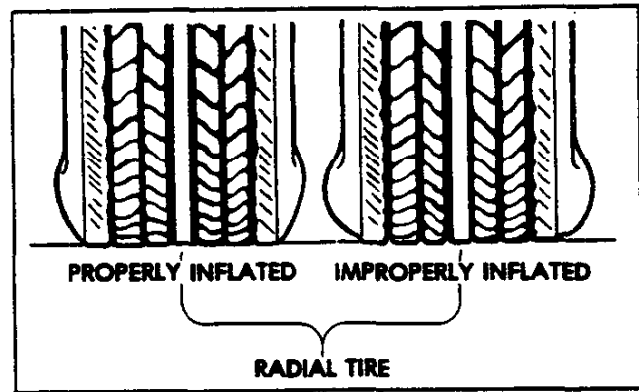


Fig. OB-6—Properly Inflated Tire

adjustment would require pressures greater than the maximum for each load range stated on the chart. Sustained driving at speeds over 85 mph (140 km/h), where permitted by law, is not advised unless your vehicle is equipped with special high speed tires.

4. When towing trailers, tires should be inflated to the "Cold Tire Pressure" for "Max. Load" shown on the Tire Placard on the left front door.

The allowable passenger and cargo load for the car, also shows on the same placard, is reduced by an amount equal to the trailer tongue load on the trailer hitch.

5. Always use a tire pressure gage (a pocket type gage is advised) when checking inflation pressures. Visual inspection of tires for inflation pressures is not enough, especially in the case of radial tires. Underinflated radial tires may look similar to correctly inflated radial tires. If the inflation pressure on a tire quite often is found to be low, correct the cause.

6. Be sure to reinstall the tire inflation valve caps, if so equipped, to prevent dirt and moisture from getting into the valve core which could cause air leakage.

7. If an air loss occurs while driving, do not drive on the deflated tire more than is needed to stop safely. Driving even a short distance on a deflated tire can damage a tire and wheel beyond repair.

Inspection and Rotation

To obtain maximum tire life, inspect and rotate tires regularly. Radial tires should be rotated at the first 7,500 miles (12 000 km) and then at least every 15,000 miles (24 000 km), or whenever uneven tire wear is noticed.

After rotation be sure to check wheel nut tightness and adjust the tire pressures, front and rear (See Tire Placard).

CAUTION: Before installing wheels, any build-up of corrosion on the wheel mounting surface and brake drum or disc mounting surface should be removed by scraping and wire brushing. Installation of wheels without good metal-to-metal contact at the mounting surfaces can cause wheel nuts to loosen, which can later allow the wheel to come off while the car is in motion, possibly causing loss of control.

NOTICE: Brakes should be inspected for wear when the tires are rotated.

A-7 Rear Axle And Manual Transmission

Rear Axle

Drain, add 4 oz. of GM Part No. 1052358 lubricant additive or equivalent and then fill to level of filler plug hole with gear lubricant GM 1052271/1052272 or equivalent after the first 7,500 miles (12 000 km). Change lubricant every 15,000 miles (24 000 km) when using vehicle to pull a trailer.

Manual Transmission

Check lubricant level and add if needed.

A-8 Cooling System

(Also an Emission Service)

The coolant recovery system is standard. The coolant in the radiator expands with heat, and the overflow is collected in the recovery tank. When the system cools down, the coolant is drawn back into the radiator.

The cooling system has been filled at the factory with a quality coolant that meets General Motors Specification 1899-M.

Service

The cooling system should be serviced each year or 15,000 miles (24 000 km) as follows:

1. Wash radiator cap and filler neck with clean water.
2. Check coolant level and test for freeze protection.
3. Have system and radiator cap tested for proper pressure holding capacity, 15 psi (105 kPa). If replacement cap is needed, use a cap designed by AC or equivalent for coolant recovery systems and specified for your model.
4. Tighten hose clamps and inspect all hoses. Replace hoses if swollen, "checked", or otherwise deteriorated.
5. Clean frontal area of radiator core and air conditioning condenser.

Flush and Refill

Every two years or 30,000 miles (48 000 km), whichever occurs first, the cooling system should be flushed and refilled as follows:

1. Remove radiator cap when engine is cool:
 - Rotate cap slowly to the left until it reaches a "stop" (Do not press down while turning the cap).
 - Wait until pressure is relieved (indicated by a hissing sound); then press down on cap and continue to rotate to the left.

CAUTION: To help avoid the danger of being burned, do not remove the radiator cap while the engine and radiator are still hot. Scalding fluid and steam can be blown out under pressure if the cap is taken off too soon.

2. With radiator cap removed, run the engine until upper radiator hose is hot (this shows that the thermostat is open and the coolant is flowing through the system).
3. Stop engine and open radiator drain valve to drain coolant. (Drainage may be speeded by removing drain plugs in the block.)

4. Close drain valve (install block drain plugs, if removed). Add water until system is filled.

5. Repeat steps 3, and 4 several times until the drained liquid is nearly colorless.

6. Drain system and then close radiator drain valve tightly. (Install block drain plugs, if removed.)

7. Remove recovery tank cap, leaving hoses in place. Remove coolant recovery tank and empty fluid. Scrub and clean inside of tank with soap and water. Flush well with clean water and drain. Reinstall tank.

8. Add enough ethylene glycol solution, meeting GM Specification 1899-M, and water to provide the required cooling function as well as freezing and corrosion protection. Use a 50 percent solution, -34°F (-36°C), but no more than a 70 percent solution. Fill radiator to the base of the radiator filler neck and raise level of coolant in the recovery tank to the "Full Hot" mark. Reinstall recovery tank cap.

9. Run engine, with radiator cap removed, until radiator upper hose is hot.

10. With engine idling, add coolant to radiator until level reaches bottom of filler neck. Install cap, making sure arrows line up with overflow tube.

It is the owner's responsibility to:

- Maintain cooling system freeze protection at -34°F (-37°C) to ensure protection against corrosion and loss of coolant from boiling. This should be done even if freezing temperatures are not expected.

- Add ethylene glycol base coolant that meets GM Specification 1899-M when coolant has to be added because of coolant loss or to provide added protection against freezing at temperatures lower than -34°F (-37°C).

NOTICE: Alcohol or methanol base coolants or plain water alone should not be used in a vehicle at any time.

Radiator Pressure Cap

The radiator cap, a 15 psi (105 kPa) pressure type, must be installed tightly, otherwise coolant may be lost and damage to engine may result from overheating. Radiator pressure caps should be checked periodically for proper operation.

Thermostat

The engine coolant temperature is controlled by a thermostat. It stops coolant flow through the radiator until a pre-set temperature is reached. This thermostat is installed on the engine block. The same thermostat is used in both winter and summer.

A-9 Wheel Bearing

For normal application, clean and repack front wheel bearings with a high melting point wheel bearing lubricant at each front brake lining replacement or 30,000 miles (48 000 km), which ever occurs first. For heavy duty application such as police cars and taxi cabs, clean and repack front wheel bearings at each front brake lining replacement or 15,000 miles (24 000 km) which ever occurs first.

Use Wheel Bearing Lubricant GM Part No. 1051344 or equivalent. This is a premium high melting point lubricant.

NOTICE: "Long fiber" or "viscous" type lubricant should not be used. Do not mix wheel bearing lubricants. Be sure to thoroughly clean bearings and hubs of all old lubricant before repacking.

Tapered roller bearings used in this vehicle have a slightly loose feel when properly adjusted. They must never be over tightened (preloaded) or severe bearing damage may result.

Refer to section 3C for proper detailed adjustment procedures and specifications.

A-10 Manual Steering Gear

The steering gear is factory-filled with steering gear lubricant. Seasonal change of this lubricant should not be performed and the housing should not be drained-no lubrication is required for the life of the steering gear.

Inspect for seal leakage (actual solid grease-not just oily film). If a seal is replaced or the gear is overhauled, the gear housing should be refilled only with the proper Steering Gear Lubricant as noted below.

NOTICE: Use only 1052084 Steering Gear Lubricant which meets GM Specification 4673M, or its equivalent.

Do not use EP chassis lube, meeting GM Specification 6031M, to lubricate the gear. **DO NOT OVER-FILL** the gear housing.

A-11 Clutch Cross-Shaft

Remove the plug, install a lubrication fitting and lubricate with water resistant EP Chassis Lubricant which meets GM Specification 6031M.

A-12 Automatic Transmission Fluid

Refer to A-2 for checking automatic transmission. Change the transmission fluid and service screen every 15,000 miles (24 000 km) if the vehicle has been driven under one or more of these hot conditions:

- In heavy city traffic where the outside temperature regularly reaches 90°F (32°C).
- In hill or mountain areas.
- In hill or mountain areas.
- Frequent trailer pulling.
- Frequent trailer pulling.
- Uses such as taxi, police car or delivery service. If the vehicle was not used mainly under any of these conditions, change the fluid and service screen each 100,000 miles (160 000 km).

NOTICE: **DO NOT OVERFILL** it takes only one pint (0.5 litre) to raise level from "Add" to "Full" with a hot transmission.

SECTION B

SAFETY MAINTENANCE

B-1 Owner Safety Checks

The maintenance Schedule in the glove box lists items to be checked by the owner.

B-2 Tires, Wheels, and Disc Brakes

During tire rotation, check disc brake pads for wear, and surface condition of rotors while wheels are removed (see Item A-6). Check tires for excessive or abnormal wear, or damage. Be sure wheels are not bent or cracked and that wheel nuts have been tightened to the torque value shown in Section 3E.

B-3 Exhaust System

Check the complete exhaust system, including the catalytic converter. Check body areas near the exhaust system. Look for broken, damaged, missing, or out-of-position parts. Also, inspect for open seams, holes, loose connections, or other conditions which could cause a heat build up in the floor pan, or could let exhaust fumes seep into the passenger compartment. Dust or water in the passenger compartment may indicate a leak in the area. Needed repairs should be made at once. To help maintain system integrity, replace the exhaust pipes and resonators rearward of the muffler whenever a new muffler is put on.

B-4 Suspension and Steering

Check front and rear suspension, and steering system. Look for damaged, loose, or missing parts; also for parts showing signs of wear, or lack of lubrication. Replace questionable parts at once.

B-5 Brakes and Power Steering

Check lines and hoses for proper hook-up, binding, leaks, cracks, chafing, etc. Any questionable parts should be replaced or repaired at once. When rubbing or wear is noted on lines or hoses, the cause must be corrected promptly.

B-6 Engine Drive Belts

(Also an Emission Service)

Check belts driving the fan, AIR pump, generator, power steering pump, and the air conditioning compressor. Look for cracks, fraying, wear, and proper tension. Adjust or replace as needed.

Frayed or cracked belts should be replaced and tensioned to specifications using a strand tension gage, such as tool J-23600 or equivalent.

Loose belts may place an extremely high impact load on driven component bearings due to the whipping action of the belt.

An over tightened belt places unnecessary loads on the component bearings.

In the chart, the minimum reading is the lowest allowable setting before the belt must be reset. When readjusting, the adjustment specification should be met. When adjusting a drive belt, it is important that the proper adjustment specification be used.

NOTICE: A "Used" belt is one that has been rotated at least one complete revolution on engine pulleys. This begins the "seating" of the belt and it should never be reset to "New" belt specifications.

TENSION SPECIFICATIONS

GENERATOR A.I.R. PUMP P/S PUMP	50 LB. MIN.	ADJUST TO 75 ± 5 LBS. USED ADJUST TO 125 ± 5 LBS. NEW
A/C COMPRESSOR	65 LB. MIN.	ADJUST TO 95 ± 5 LBS. USED ADJUST TO 140 ± 5 LBS. NEW

Fig. 0B-7-Engine Drive Belt Chart

B-7 Parking Brake

Check parking brake adjustment.

B-8 Throttle Linkage

Check for damaged or missing parts, interference or binding. Fix any problems at once.

B-9 Bumpers

Check front and rear bumper systems for proper impact protection and clearance. Check also when a bumper looks out of position or if it was struck hard--even if no damage can be seen.

SECTION C

EMISSION CONTROL MAINTENANCE

Refer to Sections 6C or 6E for procedures needed to service the items below:

C-1 Thermostatically Controlled Air Cleaner

Check all hoses and ducts for correct hookup. Be sure valve works properly.

C-2 Carburetor Choke and Hoses

Check that choke and vacuum break work properly. Correct any binding caused by damage or gum on the choke shaft. Check hoses for proper hookup, cracks, rubbing, or decay, correct as needed.

C-3 Engine Idle Speed

Adjust to the specifications shown on the underhood label. You must use calibrated test equipment.

C-4 Early Fuel Evaporation (EFE) System

Check that valve works properly, correct any binding. Check that thermal vacuum switch works properly. Check hoses for cracks, rubbing, or decay. Replace parts as needed.

C-5 Carburetor Mounting

Torque mounting bolts and/or nuts at mileage shown on Maintenance Schedule.

C-6 Vacuum Advance System and Hoses

Check that system works properly. Check hoses for proper hookup, cracks, rubbing or decay. Replace parts as needed.

C-7 Fuel Filter

Replace at mileage shown on Maintenance Schedule or sooner if clogged.

C-8 Positive Crankcase Ventilation System (PCV)

Check that system works properly each 15,000 miles (24 000 km). Each 30,000 miles (48 000 km) replace the valve, filter and replace worn or plugged hoses.

C-9 Spark Plug Wires

Clean wires. Remove corrosion on terminals. Check the wires for checks, burns, cracks or other damage. Check the boot fit at distributor cap and spark plugs. Replace wire if damaged or if corrosion cannot be cleaned.

C-10 Idler Stop Solenoid and/or Dashpot

Check that parts work properly. Replace them as needed.

C-11 Spark Plugs

Replace as shown on Schedule. Use the type shown on underhood label.

C-12 Timing and Distributor Cap

Adjust timing to underhood label specifications. Check the inside and outside of the cap and rotor for cracks, carbon tracking and corrosion. Clean or replace as needed.

C-13 Carburetor Vacuum Break

Check that linkage works properly correct any binding. Check hoses for proper hookup and condition. Replace parts as needed. If necessary, reset vacuum break as shown in Section 6C.

C-14 Air Cleaner Element

Replace at mileage shown on Schedule. Replace more often under dusty conditions.

C-15 Evaporation Control System (ECS)

Check all fuel and vapor lines and hoses for proper hookup routing and condition. Check that bowl vent and purge valves work properly, if equipped. Remove canister, check for cracks or damage. Replace as needed. Replace canister filter.

C-16 Fuel Cap, Fuel Lines, and Fuel Tank

Check the fuel tank, cap and lines for damage or leaks. Remove fuel cap, check gasket for an even filler neck imprint, and any damage. Replace parts as needed.

SPECIFICATIONS

RECOMMENDED FLUIDS AND LUBRICANTS

USAGE	FLUID/LUBRICANT
Power steering system and pump reservoir	GM power steering fluid Part No. 1050017 or equivalent
Rear Axle — Limited-Slip Differential	GM Part No. 1052271 or 1052272* or equivalent Before filling with above lubricant, add 4 ounces GM Part No. 1052358 lubricant additive or equivalent
Manual Steering Gear	Lubricant GM Part No. 1052084 or equivalent
Manual Transmission	SAE-80W or SAE-80W-90 GL-5 gear lubricant (SAE-80W GL-5 in Canada)
Brake System and Master Cylinder	Delco Supreme 11 fluid or DOT-3 fluids
Clutch Linkage (Man. Trans. only) a. Pivot points b. Push rod to clutch fork joint, and cross shaft pressure fitting	a. Engine oil b. Chassis grease meeting requirements of GM 6031-M
Manual Transmission Shift Linkage, column shift	Chassis Grease
Shift Linkage, floor shift	Engine oil
Hood Latch Assembly a. Pivots and spring anchor b. Release pawl	a. Engine Oil b. Chassis Grease
Hood and Door Hinges	Engine Oil
Automatic Transmission Shift Linkage	Engine Oil
Chassis Lubrication	Chassis grease meeting requirements of GM 6031-M
Automatic Transmission	DEXRON®-II Automatic Transmission Fluid
Key Lock Cylinders	WD-40 Spray Lubricant or equivalent
Parking Brake Cables	Chassis Grease
Front Wheel Bearings	GM Lubricant, Part No. 1051344 or equivalent
Rear Wheel Inner Bearing	Lubricant GM Part No. 1052497 or equivalent
Body door hinge pins, fuel door hinge	Engine Oil
Engine Oil	"SE" Engine Oil conforming to GM Specs. 6136-M
Windshield Washer Solvent	GM Optikleen washer solvent Part No. 1051515 or equivalent
Engine Coolant	Mixture of water and a good quality Ethylene Glycol base antifreeze conforming to GM Spec. 1899-M

CAPACITIES

	U.S. MEASURE		IMPERIAL MEASURE
Differential		4 pts.	3¼ pts.
Engine Crankcase — Drain & Refill	3.8 L	4 qts.	3¼ qts.
— w/Filter Change	4.6 L	5 qts.	4¼ qts.
Fuel Tank		23.7 gal.	19.7 gal.
Transmission			
Automatic		10 qts.	8¼ qts.
Manual		3 pts.	2½ pts.
Cooling System		21 qts.	17½ qts.

VEHICLE LIFTING POINTS

CAUTION: When jacking or lifting vehicle from frame side rails, be certain lift pads do not contact catalytic converter as damage to converter will result.

Many dealer service facilities and service stations are now equipped with a type of automotive hoist which must

bear upon some part of the frame in order to lift the vehicle. In Figure 0B-8, the shaded areas indicate areas recommended for hoist contact.

NOTICE: The vehicle should never be lifted by the rear lower control arms.

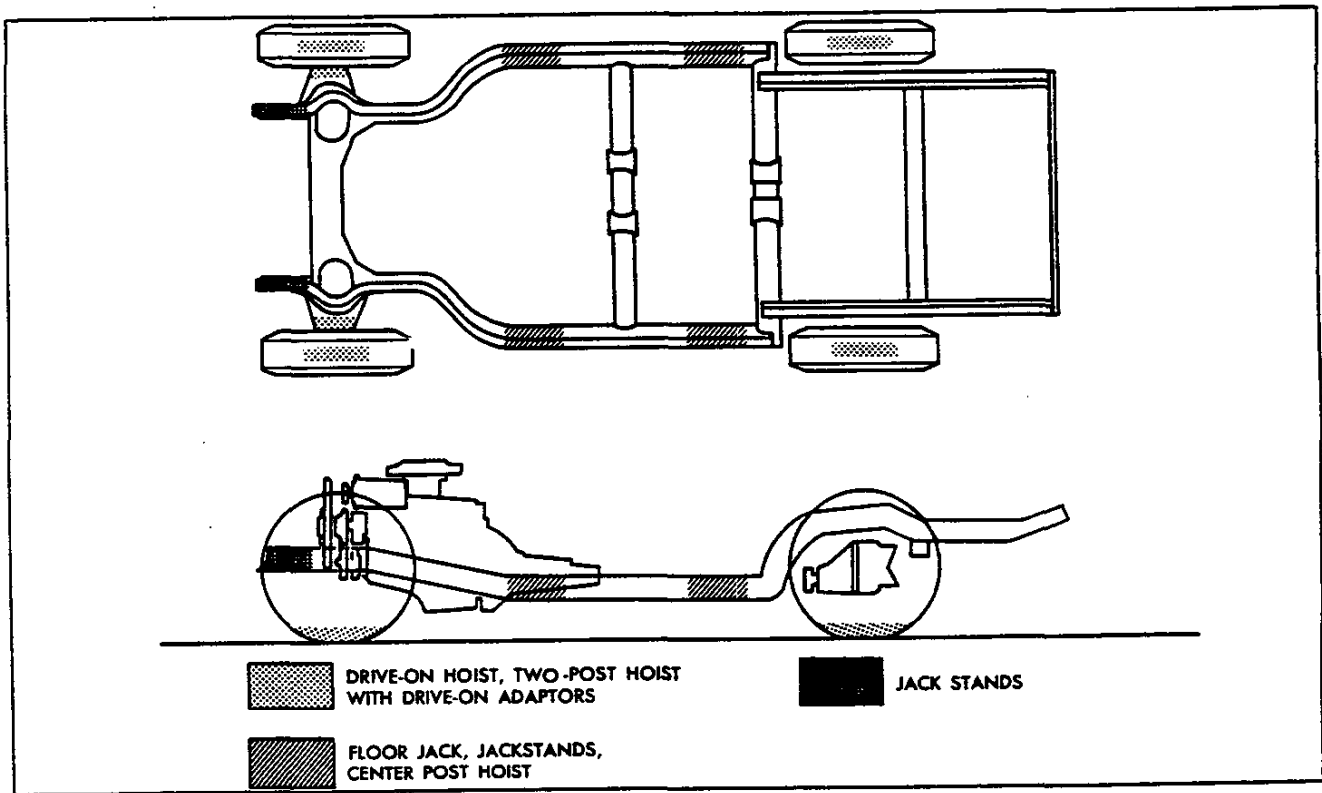


Fig. 0B-8--Vehicle Lifting Points

MR. H. S. BOCK, MGR.
CONSUMER RELATIONS DEPT.
CHEVROLET MOTOR DIVISION
1052 ARDVAULT "A" BUILDING
DETROIT, MICHIGAN 48202

Origin No. SM-165
C.O. No. 77-818
Subject 25TH ANNIVERSARY "LIMITED
EDITION" CORVETTE



CHEVROLET MOTOR DIVISION
General Motors Corporation
Central Office
Detroit, Michigan 48202

To REGIONAL AND ZONE MANAGERS

Date December 21, 1977

Chevrolet will produce a special "Limited Edition" unit as a part of Corvette's 25th Anniversary celebration. The "Limited Edition" Corvette has been chosen as the official Pace Car for the 62nd annual Indianapolis 500 Race on May 28, 1978.

A District Manager order taking activity is to take place in early January, at which time every dealer is to be afforded an opportunity to order one of these special units. The "Limited Edition" Corvettes will not be eligible for model year-end close-out allowance. A dealer acknowledgment form, Attachment "A" - relating to this activity is to be completed with every dealer and retained in the Zone Office. Zone Managers are asked to furnish the number of dealers ordering a "Limited Edition" unit by joint wire to the Regional Manager and Mr. R. F. Sobrero, Central Office Distribution Department, by no later than January 16, 1978.

Distribution procedures and other pertinent details are contained in Attachment "B". The Manufacturers Suggested Retail Price is \$13,653.21 for the "Limited Edition" Corvette (Model 1YZ87/Z78). The "Limited Edition" unit will not be available for purchase under the Employee Purchase Plan and is not to be placed in Company Car Service.

With only a minimum amount of information released for publication, the response from both dealers and the general public has been enthusiastic. Shipment of these units will begin in late March and continue until all orders are produced. This will provide dealers with an opportunity to develop promotional activities during the height of the Spring selling season utilizing the "Limited Edition" unit as an excellent showroom traffic builder.

The "Limited Edition" Corvette represents yet another milestone in Chevrolet's marketing strategy of developing and maintaining Corvette's unique sports car image and mystique in the eyes of the public. We ask your support in encouraging dealers to take advantage of the many promotional opportunities afforded by this program.

Very truly yours,

R. E. Cook
General Sales Manager

REC/dlk
Attachments

cc: Regional Distribution Managers
Area Distribution Center Managers
Zone Merchandising Managers-Pass. Cars
Zone Distribution Managers
District Managers

LIMITED EDITION CORVETTE

(Ordering Information - To be used in same manner as regular Dealer Order Guide)



Model

1YZ87/278

Limited Edition Corvette Coupe

___ 278 (Includes Special Two-Tone Paint with Accent Stripes, Special Limited Edition Decals, Rear Spoiler and Front Air Deflector, Glass Roof Panels, Contoured Bucket Seats, Aluminum Wheels with Accent Stripe, P255/60 R-15 W/L Aramid Belted Tires, LH Remote and RH Manual Sport Mirrors, Air Conditioning, Power Windows, Power Door Locks, Stereo Tape System w/AM/FM Stereo Radio, Power Antenna, Dual Rear Speakers, Tilt-Telescopic Steering Wheel, Convenience Group, Rear Window Defogger and HD Battery)

COLOR AND TRIM SELECTION

Seat, Door Trim Color, Headliner and Instrument Panel Pad	Silver Met
Carpet Color	Silver Gray

Model	Seat Type	
1YZ87	Leather Bucket	AYY2
	Cloth/Leather Bucket	HYY2

Exterior Paint Color	Color	Code	
	L	U	
Silver Met./Black	47	19	R

MUST ORDER ONE: ENGINES

AVAILABLE WITH NA2 STANDARD EMISSION EQUIPMENT

___ L48	350 Cu. In. V8
___ L82	350 Cu. In. V8

AVAILABLE WITH NA6 HIGH ALTITUDE EMISSION EQUIPMENT (Recommended Above 4000 Foot Altitude)

___ L48	350 Cu. In. V8 (Reqs MX1 Trans)
---------	---------------------------------

CALIFORNIA REGISTRATION (REQS YF5)

___ L48	350 Cu. In. V8 (Reqs MX1 Trans)
---------	---------------------------------

Options which may be ordered in addition to 278 Limited Edition Corvette Quick-Spec

PLEASE REVIEW OPTION RESTRICTIONS BEFORE ORDERING

OPTION

- G95 AXLE, REAR: Highway Ratio (See Power Teams Chart) (Reqs L82 Eng and MM4 Trans)
- ZN1 CHASSIS EQUIPMENT, TRAILERING: (Reqs L48 Eng and MX1 Trans) (Incls FE7 Susp and Increased cooling)
- EMISSION SYSTEMS: (MUST ORDER ONLY ONE) (See Power Teams Chart)
- YF5 --California Emission Requirements
- NA6 --High Altitude Emission Equipment
- NA2 --Standard Emission Equipment
- RADIO:
- UP6 --AM/FM Stereo Citizens Band Radio and Power Antenna
- K30 SPEED CONTROL: Cruise-Master (Reqs MX1 Trans)
- FE7 SUSPENSION EQUIPMENT: Suspension, Gymkhana Front and Rear (Incl w/ZN1 Chassis Equip)
- TRANSMISSIONS: (MUST ORDER ONE) (SEE Power Teams Chart)
- MM4 --4-Speed Manual
- M21 --4-Speed Close-Ratio Manual (Reqs L82 Eng)
- MX1 --Automatic

QUICK-SPEC

TRANSMISSION CHOICE MUST BE SPECIFIED ON ORDER FORM

9
9
9
A

Limited Edition Corvette 278 X
(See above for content)

POWER TEAMS

ENGINE OPTION CONDITION		AXLE RATIO			
		3.08	3.36	3.55	3.70
WITHOUT YF5 CALIFORNIA OR NA6 HIGH ALTITUDE EMISSION					
L48	MM4	-	Std	-	-
	MX1	Std	-	-	-
L82	MM4	-	G95	-	Std
	M21	-	-	-	Std
	MX1	-	-	Std	-
WITH YF5 CALIFORNIA					
L48	MX1	-	-	Std	-
With NA6 High Altitude Emission					
L48	MX1	-	-	Std	-

CORVETTE

ALPHABETICAL OPTION INDEX

(Not for Ordering Purposes)

<u>Option Number</u>	<u>Description</u>
AU3	DOOR LOCK SYSTEM, POWER
A31	WINDOWS: Power
B2Z	25th ANNIVERSARY TWO-TONE PAINT
✓CC1	ROOF PANELS: Removable Glass
C49	DEFOGGER, REAR WINDOW: Electro-Clear
C60	AIR CONDITIONING: Four-Season
D35	MIRRORS: Sport, LH Remote and RH Manual
FE7	SUSPENSION EQUIPMENT: Suspension, Gymkhana
G95	AXLE, REAR: Highway Ratio
K30	SPEED CONTROL: Cruise-Master
L48	ENGINE: 350 Cu. In. V8
L82	ENGINE: 350 Cu. In. V8
MM4	TRANSMISSION: 4-Speed Manual
M21	TRANSMISSION: 4-Speed Close-Ratio Manual
MX1	TRANSMISSION: Automatic
NA2	EMISSION SYSTEMS: Standard Emission Equipment
NA6	EMISSION SYSTEMS: High Altitude Emission Equipment
N37	STEERING WHEEL: Tilt-Telescopic
QBS	TIRES: P255/60 R-15 W/L (Radial)
QGQ	TIRES: P225/70 R-15 B/W (Radial)
QGR	TIRES: P225/70 R-15 W/L (Radial)
UA1	BATTERY, HEAVY-DUTY
UL5	RADIOS: Radio Not Desired
UM2	RADIOS: Stereo Tape System w/AM/FM Stereo Radio
UP6	RADIOS: AM/FM Stereo Citizens Band Radio and Power Antenna
U58	RADIOS: AM/FM Stereo Radio
U69	RADIOS: AM/FM Radio
U75	RADIO EQUIPMENT: Power Antenna
U81	RADIO EQUIPMENT: Speakers, Dual Rear
YF5	EMISSION SYSTEMS: California Emission Requirements
YJ8	WHEEL TRIM: Wheels, Aluminum
ZN1	CHASSIS EQUIPMENT, TRAILERING
ZP2	EXTERIOR/INTERIOR OVERRIDE
ZX2	CONVENIENCE GROUP

CORVETTE

COLOR AND TRIM SELECTION

PLEASE NOTE: The exterior and interior combinations shown in the chart below and designated as recommended (R), represent the ideal combinations. Those that are shown as acceptable (A), are attractive, but less desirable than the recommended combinations. Orders for additional combinations may be submitted, provided the dealer initials the appropriate order form box (ZP2), as verification that the requested combination is definitely desired.

Seat, Door Trim Color, Headliner and Instrument Panel Pad	Black	Blue Dark	Brown Dark	Beige Light	Red	Mahog- any	Oyster
Carpet Color	Black	Blue Dark	Brown Dark	Beige Light	Red	Mahog- any	Gray

Model Seat Type

1YZB7	Leather Bucket	ABB2	ADD2	AHH2	AZZ2	ARR2	AUN2	AHW2
	Cloth/Leather Bucket	HBB2	HDD2	HHH2	HZZ2	HRR2	HUN2	HWW2

Exterior Paint Color Code
Color L U

Beige, Corvette Light	59	50	R	A	R	R	A	R	
Black	19	19	R			R	R	R	R
Blue, Corvette Dark (Met)	83	93	A	R		R	A		R
Blue, Corvette Light	26	26	A	R					
Brown, Corvette Dark (Met)	89	89	A		R	R			R
Mahogany, Corvette (Met)	82	82	R			R		R	R
Red, Corvette	72	72	R			R	R		R
Silver	13	13	R	R			R	R	A
Silver w/B22 Annlv.	13	13	R	A			R	A	A
White, Classic	10	10	R	R	R	R	R	R	R
Yellow, Corvette	52	52	R		A				R

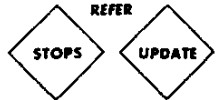
L=Lower U=Upper

POWER TEAMS

(Refer to next page for option availability and application)

ENGINE OPTION CONDITION		AXLE RATIO			
		3.08	3.36	3.55	3.70
WITHOUT YF5 CALIFORNIA OR NA6 HIGH ALTITUDE EMISSION					
L48	MM4	-	Std	-	-
	MX1	Std	-	-	-
L32	MM4	-	G95	-	Std
	M21	-	-	-	Std
	MX1	-	-	Std	-
WITH YF5 CALIFORNIA					
L48	MX1	-	-	Std	-
With NA6 High Altitude Emission					
L48	MX1	-	-	Std	-

CORVETTE



Model
1YZ87 Corvette Coupe

← COLOR AND TRIM SELECTION

MUST ORDER ONE: _____ ENGINES

AVAILABLE WITH NA2 STANDARD EMISSION EQUIPMENT

___ L48 350 Cu. In. V8
___ L82 350 Cu. In. V8

AVAILABLE WITH NA6 HIGH ALTITUDE EMISSION EQUIPMENT (Recommended Above 4000 Foot Altitude)

___ L48 350 Cu. In. V8 (Reqs MX1 Trans)

CALIFORNIA REGISTRATION (REQS YF5)

___ L48 350 Cu. In. V8 (Reqs MX1 Trans)

QUICK-SPEC

IF TIRE AND/OR TRANSMISSION IN QUICK-SPEC IS NOT DESIRED YOU MUST "PLUS" ANOTHER TIRE AND/OR TRANSMISSION OPTION.

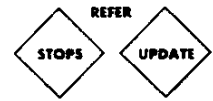
Air Conditioning, Four-Season	C60	X	X
Steering Wheel, Tilt-Telescopic	N37	X	X
Transmission, Automatic	MX1	X	X
Windows, Power	A31	X	X
Tires, P225/70 R-15 W/L	QGR	X	X
Radio, AM/FM Stereo	U58	X	<small>NOT INCL</small>
Convenience Group	ZX2	X	X
Mirrors, Sport	D35	X	X

Stereo Tape w/AM/FM Stereo Radio	UM2	X	
Battery, Heavy-Duty	UA1	X	
Antenna, Power	U75	X	
Defogger, Rear Window	C49	X	
Speed Control (w/MX1 Trans Only)	K30	X	
Door Lock System, Power	AU3	X	
Speakers, Dual Rear	U81	X	

PLEASE REVIEW OPTION RESTRICTIONS BEFORE ORDERING

Q-S	OPTION
---	B2Z 25TH ANNIVERSARY TWO-TONE PAINT (Reqs YJ8 Wheels, D35 Mirrors and 13 Exterior Paint)
615	C60 AIR CONDITIONING: Four-Season
---	G95 AXLE, REAR: Highway Ratio (See Power Teams Chart) (Reqs L82 Eng and MM4 Trans)
616	UA1 BATTERY, HEAVY-DUTY
---	ZN1 CHASSIS EQUIPMENT, TRAILERING: (Reqs L48 Eng and MX1 Trans) (Incls FE7 Susp and increased cooling)
615	ZX2 CONVENIENCE GROUP
616	C49 DEFOGGER, REAR WINDOW: Electro-Clear
✓ 616	AU3 DOOR LOCK SYSTEM, POWER EMISSION SYSTEMS: (MUST ORDER ONLY ONE) (See Power Teams Chart)
---	YF5 --California Emission Requirements
---	NA6 --High Altitude Emission Equipment
---	NA2 --Standard Emission Equipment
✓ 615	D35 MIRRORS: Sport, LH Remote and RH Manual
---	RADIOS: (MUST ORDER ONE)
---	U69 --AM/FM Radio
615	U58 --AM/FM Stereo Radio
616	UM2 --Stereo Tape System w/AM/FM Stereo Radio
---	UP6 --AM/FM Stereo Citizens Band Radio and Power Antenna
---	UL5 --Radio Not Desired
---	RADIO EQUIPMENT:
616	U75 --Power Antenna (N/A UL5 or UP6 Radio)
✓ 616	U81 --Speakers, Dual Rear (N/A UL5 or U69 Radio)
✓	CC1 ROOF PANELS: Removable Glass
616	K30 SPEED CONTROL: Cruise-Master (Reqs MX1 Trans)
615	N37 STEERING WHEEL: Tilt-Telescopic
---	FE7 SUSPENSION EQUIPMENT: Suspension, Gymkhana. Front and Rear (Incl w/ZN1 Chassis Equip)
---	TIRES: (B/W: Blackwall, W/L: White Lettered)
---	--Steel Belted Radial Ply
QGO	---P225/70 R-15 B/W (Base)
615	QGR ---P225/70 R-15 W/L
---	--Aramid Belted Radial Ply
QBS	---P255/60 R-15 W/L
---	TRANSMISSIONS: (See Power Teams Chart)
---	MM4 --4-Speed Manual
---	M21 --4-Speed Close-Ratio Manual (Reqs L82 Eng)
615	MX1 --Automatic
---	-YJ8 WHEEL TRIM: Wheels, Aluminum
615	A31 WINDOWS: Power

CORVETTE



Model

1YZ87 Corvette Coupe

← COLOR AND TRIM SELECTION

MUST ORDER ONE: ENGINES

AVAILABLE WITH NA2 STANDARD EMISSION EQUIPMENT
 ___ L48 350 Cu. In. V8
 ___ L82 350 Cu. In. V8

AVAILABLE WITH NA6 HIGH ALTITUDE EMISSION EQUIPMENT
 (Recommended Above 4000 Foot Altitude)
 ___ L48 350 Cu. In. V8 (Reqs MX1 Trans)

CALIFORNIA REGISTRATION (REQS YF5)
 ___ L48 350 Cu. In. V8 (Reqs MX1 Trans)

QUICK-SPEC

IF TIRE AND/OR TRANSMISSION IN QUICK-SPEC IS NOT DESIRED YOU MUST "PLUS" ANOTHER TIRE AND/OR TRANSMISSION OPTION.

Air Conditioning, Four-Season	C60	X	X
Steering Wheel, Tilt-Telescopic	N37	X	X
Transmission, Automatic	MX1	X	X
Windows, Power	A31	X	X
Tires, P225/70 R-15 W/L	QGR	X	X
Radio, AM/FM Stereo	U58	X	<small>NOT REQS</small>
Convenience Group	ZX2	X	X

Stereo Tape w/AM/FM Stereo Radio	UM2		X
Battery, Heavy-Duty	UA1		X
Antenna, Power	U75		X
Defogger, Rear Window	C49		X
Speed Control (w/MX1 Trans Only)	K30		X
Mirrors, Sport	D35		X

PLEASE REVIEW OPTION RESTRICTIONS BEFORE ORDERING

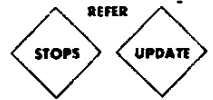
<u>Q-S</u>	<u>OPTION</u>
---	B2Z 25TH ANNIVERSARY TWO-TONE PAINT (Reqs YJ8 Wheels, D35 Mirrors and 13 Exterior Paint)
615	C60 AIR CONDITIONING: Four-Season
---	G95 AXLE, REAR: Highway Ratio (See Power Teams Chart) (Reqs L82 Eng and MM4 Trans)
616	UA1 BATTERY, HEAVY-DUTY
---	ZN1 CHASSIS EQUIPMENT, TRAILERING: (Reqs L48 Eng and MX1 Trans) (Incls FE7 Susp and increased cooling)
615	ZX2 CONVENIENCE GROUP
616	C49 DEFOGGER, REAR WINDOW: Electro-Clear
---	AU3 DOOR LOCK SYSTEM, POWER EMISSION SYSTEMS: (MUST ORDER ONLY ONE) (See Power Teams Chart)
---	YF5 --California Emission Requirements
---	NA6 --High Altitude Emission Equipment
---	NA2 --Standard Emission Equipment
616	D35 MIRRORS: Sport, LH Remote and RH Manual
---	RADIOS: (MUST ORDER ONE)
---	U69 --AM/FM Radio
615	U58 --AM/FM Stereo Radio
616	UM2 --Stereo Tape System w/AM/FM Stereo Radio
---	UP6 --AM/FM Stereo Citizens Band Radio and Power Antenna
---	UL5 --Radio Not Desired
---	RADIO EQUIPMENT:
616	U75 --Power Antenna (N/A U5 or UP6 Radio)
✓	U81 --Speakers, Dual Rear (N/A U69 Radio)
616	K30 SPEED CONTROL: Cruise-Master (Reqs MX1 Trans)
615	N37 STEERING WHEEL: Tilt-Telescopic
---	FE7 SUSPENSION EQUIPMENT: Suspension, Gymkhana, Front and Rear (Incl w/ZN1 Chassis Equip)
---	TIRES: (B/W: Blackwall, W/L: White Lettered)
---	--Steel Belted Radial Ply
---	Q6Q ---P225/70 R-15 B/W (Base)
615	QGR ---P225/70 R-15 W/L
✓	--Aramid Belted Radial Ply
---	QBS ---P255/60 R-15 W/L
---	TRANSMISSIONS: (See Power Teams Chart)
---	MM4 --4-Speed Manual
---	M21 --4-Speed Close-Ratio Manual (Reqs L82 Eng)
615	MX1 --Automatic
---	YJ8 WHEEL TRIM: Wheels, Aluminum
615	A31 WINDOWS: Power

Includes Special Two-Tone Paint with Accent Stripes, Special Limited Edition Decals, Rear Spoiler and Front Air Deflector, Glass Roof Panels, Contoured Bucket Seats, YJ8 Aluminum Wheels with Accent Stripe, QBS P255/60 R-15 W/L Aramid Belted Tires, D35 LH Remote and RH Manual Sport Mirrors, C60 Air Conditioning, A31 Power Windows, AU3 Power Door Locks, UM2 Stereo Tape System w/AM/FM Stereo Radio, U75 Power Antenna, U81 Dual Rear Speakers, N37 Tilt-Telescopic Steering Wheel, ZX2 Convenience Group, C49 Rear Window Defogger and UAl HD Battery.

Includes Special Two-Tone Paint with Accent Stripes, Special Limited Edition Decals, Rear Spoiler and Front Air Deflector, Glass Roof Panels, YJ8 Aluminum Wheels with accent Stripe, QBS P255/60 R-15 w/L Aramid Belted Tires, D35 LH Remote and RH Manual Sport Mirrors, C60 Air Conditioning, A31 Power Windows, AU3 Power Door Locks, UM2 Stereo Tape System w/AM/FM Stereo Radio, U75 Power Antenna, U81 Dual Rear Speakers, N37 Tilt-Telescopic Steering Wheel, ZX2 Convenience Group, C49 Rear Window Defogger and UAl HD Battery.

Includes Special Two-Tone Paint with Accent Stripes, Special Limited Edition Decals, Rear Spoiler and Front Air Deflector, Glass Roof Panels, Aluminum Wheels with Accent Stripe, P255/60 R-15 W/L Aramid Belted Tires, LH Remote and RH Manual Sport Mirrors, Air Conditioning, Power Windows, Power Door Locks, Stereo Tape System w/AM/FM Stereo Radio, Power Antenna, Dual Rear Speakers, Tilt-Telescopic Steering Wheel, Convenience Group, Rear Window Defogger and HD Battery.

CORVETTE



Model
1Y297 Corvette Coupe

← COLOR AND TRIM SELECTION

MUST ORDER ONE: _____ ENGINES _____

AVAILABLE WITH NA2 STANDARD EMISSION EQUIPMENT
 ___ L48 350 Cu. in. V8
 ___ L92 350 Cu. in. V8

AVAILABLE WITH NA6 HIGH ALTITUDE EMISSION EQUIPMENT
 (Recommended Above 4000 Foot Altitude)
 ___ L48 350 Cu. in. V8 (Reqs MX1 Trans)

CALIFORNIA REGISTRATION (REQS YF5)
 ___ L48 350 Cu. in. V8 (Reqs MX1 Trans)

QUICK-SPEC

IF TIRE AND/OR TRANSMISSION IN QUICK-SPEC IS NOT DESIRED YOU MUST "PLUS" ANOTHER TIRE AND/OR TRANSMISSION OPTION.

Air Conditioning, Four-Season	C60	X	X
Steering Wheel, Tilt-Telescopic	N37	X	X
Transmission, Automatic	MX1	X	X
Windows, Power	A31	X	X
Tires, P225/70 R-15 W/L	QGR	X	X
Radio, AM/FM Stereo	U58	X	<small>NOT INCL</small>
Convenience Group	ZX2	X	X

Stereo Tape			
w/AM/FM Stereo Radio	UM2	X	
Battery, Heavy-Duty	UA1	X	
Antenna, Power	U75	X	
Defogger, Rear Window	C49	X	
Speed Control (w/MX1 Trans Only)	K30	X	
Mirrors, Sport	D35	X	

PLEASE REVIEW OPTION RESTRICTIONS BEFORE ORDERING

Q-S	OPTION
---	82Z 25TH ANNIVERSARY TWO-TONE PAINT (Reqs YJ8 Wheels, D35 Mirrors and 13 Exterior Paint)
615	C60 AIR CONDITIONING: Four-Season
---	G95 AXLE, REAR: Highway Ratio (See Power Teams Chart) (Reqs L82 Eng and MM4 Trans)
616	UA1 BATTERY, HEAVY-DUTY
---	ZN1 CHASSIS EQUIPMENT, TRAILERING: (Reqs L48 Eng and MX1 Trans) (Incls FE7 Susp and increased cooling)
615	ZX2 CONVENIENCE GROUP
616	C49 DEFOGGER, REAR WINDOW: Electro-Glass
---	AU3 DOOR LOCK SYSTEM, POWER
---	EMISSION SYSTEMS: (MUST ORDER ONLY ONE) (See Power Teams Chart)
---	YF5 --California Emission Requirements
---	NA6 --High Altitude Emission Equipment
---	NA2 --Standard Emission Equipment
616	D35 MIRRORS: Sport, LH Remote and RH Manual
---	RADIOS: (MUST ORDER ONE)
---	U69 --AM/FM Radio
615	U58 --AM/FM Stereo Radio
616	UM2 --Stereo Tape System w/AM/FM Stereo Radio
---	UP6 --AM/FM Stereo Citizens Band Radio and Power Antenna
---	UL5 --Radio Not Desired
---	RADIO EQUIPMENT:
616	U75 --Power Antenna (N/A UL5 or UP6 Radio)
---	U81 --Speakers, Dual Rear (N/A U69 Radio)
616	K30 SPEED CONTROL: Cruise-Master (Reqs MX1 Trans)
615	N37 STEERING WHEEL: Tilt-Telescopic
---	FE7 SUSPENSION EQUIPMENT: Suspension, Gymkhana, Front and Rear (Incl w/ZN1 Chassis Equip)
---	TIRES: (B/W: Blackwall; W/L: White Lettered)
---	--Steel Belted Radial Ply
---	Q6Q ---P225/70 R-15 B/W (Base)
615	QGR ---P225/70 R-15 W/L
---	--Aramid Belted Radial Ply
---	QBS ---P225/60 R-15 W/L
---	TRANSMISSIONS: (See Power Teams Chart)
---	MM4 --4-Speed Manual
---	M21 --4-Speed Close-Ratio Manual (Reqs L82 Eng)
615	MX1 --Automatic
---	YJ8 WHEEL TRIM: Wheels, Aluminum
615	A31 WINDOWS: Power

CHEVROLET

NEWS

From
Public Relations Department

ORIGINAL

FOR RELEASE

SEPTEMBER 15, 1977

(#8231)

1978 CORVETTE

The Chevrolet Corvette marks a 25th anniversary milestone in 1978 with new fastback appearance and improvements in performance and handling.

The new aerodynamic look is the most extensive change for Corvette in several years. Refinements in comfort, convenience, improved utility and increased operating range add to the appeal of America's only authentic sports car.

Retaining its traditional distinction as America's one-of-a-kind fiberglass-bodied sports car, the 1978 Corvette spotlights these changes:

- . Fastback roofline with a wraparound rear glass area more than three and a half times larger than before.
- . Completely restyled interior with larger and more accessible rear stowage area that has a security cover.
- . Performance gains for optional L82 high performance 5.7 litre (350 CID) engine with increased power and torque ratings.
- . New tinted glass lift-out roof panels.
- . Special 25th anniversary emblems and a special 25th anniversary two-tone paint option.
- . Increased operating range with a 24-gallon fuel cell replacing the former 17-gallon unit.

(more)

.

.

The most striking feature of 1978 Corvette styling is the wraparound rear glass which provides greater rear quarter visibility with 1,425 square inches of surface area compared with 293 square inches on the former model.

Inside, under the glass, a security cover can be pulled forward and hooked to conceal luggage and other articles from view.

Power and torque ratings of the optional 5.7 litre (350 CID) V8 engine have been increased for 1978 by improvements in the cold air induction and in the exhaust system. A new dual snorkel carburetor air inlet system delivers greater amounts of cool, dense air while larger diameter exhaust and tailpipes and lower restriction mufflers reduce back pressure.

The three-speed automatic transmission used with the optional 5.7 litre engine is lighter weight and has a low inertia, high stall torque converter for increased performance. The rear axle ratio of the engine used above 4,000 feet altitude and in California has been changed from 3.08 to 3.55-to-1 to give better starting ratio and more responsive performance throughout the speed range.

To commemorate the 25th year of Corvette production, a special Silver Anniversary paint option will be offered. It includes a two-tone silver and gray paint treatment which accentuates body contours.

The new Corvette has improved cruising range with a new 24-gallon fuel cell replacing the previous 17-gallon tank. The new fuel cell has a molded plastic inner liner in a steel container. Space for the larger cell is made available by the use and stowage of a new, lighter weight temporary spare.

(more)



-

-



Six of the ten distinctive exterior colors are new for 1978 and there is a choice of seven interiors, four of which are new.

Other 1978 features are:

- . A new one-piece full padded instrument panel with front-mounted cluster that can be removed more readily for service. Printed circuits are used for improved reliability.
- . Theft alarm extended to include roof panels along with the current keylock control system which was moved from left front fender to left-hand door lock in mid-1977 model year.
- . Larger rear shock absorbers with the optional Gymkhana package for more effective wheel control.
- . An optional AM/FM CB stereo radio with full 40 channels that uses a tri-band rear deck power antenna.
- . Wiper and washer control has been moved from the steering column stalk to the instrument panel. Turn signal and headlight dimmer controls remain on the steering column.

#



.

.



1978



Specifications Form

Passenger Car

Manufacturer CHEVROLET MOTOR DIVISION GENERAL MOTORS CORPORATION	Car Line CORVETTE	
Mailing Address CHEVROLET ENGINEERING CENTER 30003 VAN DYKE WARREN, MICHIGAN	Model Year 1978	Issued: October, 1977
		Revised (e) February, 1978

Pages Revised: 1,3,5,11,19,21,22,23,24,25,26,27,29.

The information contained herein is prepared, distributed by, and is solely the responsibility of the automobile manufacturing company to whose products it relates. Questions concerning these specifications should be directed to the manufacturer whose address is shown above. This specification form was developed by automobile manufacturing companies under the auspices of the Motor Vehicle Manufacturers Association of the United States, Inc.

The General Specifications herein are those in effect at date of compilation and are subject to change without notice by the manufacturer.

MVMA Specifications Form

Passenger Car

Table Of Contents

1	Car Models
2, 3, 4	Car and Body Dimensions
5	Power Teams
6 - 10	Engine
10	Exhaust System
11	Fuel System
12	Cooling System
13, 14	Vehicle Emission Control
15 - 17	Electrical
18 - 20	Drive Units
21	Tires and Wheels
21, 22	Brakes
23	Steering
24	Suspension — Front and Rear
25	Frame
25	Body — Miscellaneous Information
26	Convenience Equipment
26	Lamp Height and Spacing
27	Vehicle Weights
28	Optional Equipment Weights
29	Fiducial Marks
30 - 33	Car and Body Dimension Key Sheets
34	Index

NOTES:

1. The General Specifications herein are those in effect at date of compilation and are subject to change without notice by the manufacturer.
2. UNLESS OTHERWISE INDICATED:
 - a. Specifications apply to standard models without optional equipment. Significant deviations are noted.
 - b. Nominal design dimensions are used throughout these specifications.
 - c. All dimensions are in inches.

MVMA Specifications Form Passenger Car

Car Line Corvette
Model Year 1978 Issued 10-77 Revised (e) _____

Car and Body Dimensions See Key Sheets, for definitions.

All dimensions to ground are for comparative purposes only. Dimensions are to be shown for all base body models of each car line.

SAE Ref. No. refers to the definition published in SAE Recommended Practice.

J1100a "Motor Vehicle Dimensions," unless otherwise specified.

Body Type

SAE Ref. No.	2-Door Sport Coupe
--------------	--------------------

Width

Tread - Front	W101	58.7
Tread - Rear	W102	59.5
Vehicle width	W103	69.0
Body width at Sq RP - front	W117	- -
Vehicle width - front doors open	W120	136.5
Vehicle width - rear doors open	W121	- -

Length

Wheelbase	L101	98.0
Vehicle length	L103	185.2
Overhang - front	L104	42.4
Overhang - rear	L105	44.8
Upper structure length	L123	82.3
Rear wheel C/L "X" coordinate	L127	72.0
Cowl point "X" coordinate	L125	16.1

Height*

Passenger Distribution (front/rear)	PD1.2.3	2.0
Trunk/Cargo load (lbs)		0
Vehicle height	H101	48.0
Cowl point to ground	H114	36.4
Deck point to ground	H138	
Rocker panel - front	To ground	8.0
	From front wheel C/L	
Bottom of door closed-front to grd.	H133	10.0
Rocker panel - rear	To ground	7.6
	From rear wheel C/L	
Bottom of door closed-rear to grd	H135	- -
Windshield slope angle	H122	57.0

Ground Clearance*

Front bumper to ground	H102	10.8
Rear bumper to ground	H104	11.8
Bumper to grd - front @ curb wt	H103	11.1
Bumper to grd - rear @ curb wt.	H109	12.8
Angle of approach	H106	16°24'
Angle of departure	H107	16°49'
Ramp breakover angle	H147	12°07'
Rear axle differential to ground	H153	5.7
Min running ground clearance	H156	4.3
Location of min run grd clear.		Catalytic Converter

*All vehicle height and ground clearances are made at the manufacturer's Design Load Weight, unless otherwise specified.

*Design Load Weight is defined with indicated passenger distribution and trunk/cargo load.

**MVMA Specifications Form
Passenger Car**

Car Line Corvette
Model Year 1978 Issued 10-77 Revised (e) 2/78

Car Models

Model Description (Include Line Drawings of Vehicles, if Desired)	Make, Car line, Series, Body Type (Mfr's Model Code)	No. of Designated Seating Positions (Front/Rear)	Max. Trunk/Cargo Load (Pounds)
● CORVETTE 2-Door Sport Coupe	MODEL NUMBER 1YZ87	FRONT 2	

NOTE: Any specifications on the following pages that are specific to California requirements are indicated accordingly.

MVMA Specifications Form Passenger Car

Car Line CORVETTE
Model Year 1978 Issued 10-77 Revised (e) 2-78

Car And Body Dimensions See Key Sheets, Pgs. 30-33

Body Type

SAE Ref. No.	2-DOOR SPORT COUPE
--------------	--------------------

Front Compartment

H Point to body "O" line	L31	44.7
Effective head room	H61	36.2
Effective T Point head room	H75	36.8
Max. eff. leg room - accelerator	L34	42.1
H Point to Heel point	H30	6.4
H Point travel	L17	4.5
Shoulder room	W3	47.5
Hip room	W5	49.9
Upper body opening to ground	H50	44.5
Steering Wheel Angle Vertical	H-18	14° 38'
Back Angle Front	L-40	33

Rear Compartment

H Point couple distance	L50	
Effective head room	H63	
Effective T Point head room	H76	
Min. effective leg room	L51	
H Point to Heel point	H31	
Min knee room	L48	NOT
Rear Compartment room	L3	
Shoulder room	W4	APPLICABLE
Hip room	W6	
Upper body opening to ground	H51	

Luggage Compartment

Usable luggage capacity (cu. ft.)	V1	8.4
Liftover height	H195	- -
Position of spare tire storage		In well under body at rear
Method of holding lid open		- -

MVMA Specifications Form Passenger Car

Car Line Corvette
 Model Year 1978 Issued 10-77 Revised (●) _____

Car And Body Dimensions See Key Sheets for definitions

Body Type

SAE Ref. No.	2-Door Sport Coupe
---------------------	--------------------

Station Wagon — Third Seat

Shoulder Room	W85	
Hip room	W86	
Effective leg room	L86	NOT
Effective head room	H86	APPLICABLE
Effective T Point head room	H89	
Seat facing direction	SD1	

Station Wagon — Cargo Space

Cargo length - open - front	L200	
Cargo length - open - second	L201	
Cargo length - closed - front	L202	
Cargo length - closed - second	L203	
Cargo length at belt - front	L204	
Cargo length at belt - second	L205	
Cargo width - wheelhouse	W201	NOT
Rear opening width at floor	W203	APPLICABLE
Opening width at belt	W204	
Max. rear opening width above belt	W205	
Cargo height	H201	
Rear opening height	H202	
Tail gate to ground height (curb wt.)	H250	
Front seat back to load floor height	H197	
Cargo volume index (cu. ft.)	V2	
Hidden cargo volume (cu. ft.)	V4	

Hatchback — Cargo Space

Front seat back to load floor height	H197	
Cargo length at front seat	L208	NOT
Back Height		APPLICABLE
Cargo length at floor - front	L209	
Cargo volume index (cu. ft.)	V3	
Hidden cargo volume (cu. ft.)	V4	

A printed or computer tape supplement containing additional car and body dimensions and/or drawings (based in part on SAE J1100a "Motor Vehicle Dimensions") may be available from the manufacturer.

MVMA Specifications Form Passenger Car

Car Line CORVETTE
 Model Year 1978 Issued 10-77 Revised (●) 2/78

Power Teams (Indicate whether standard or optional)

SAE Net bhp (brake horsepower) and net torque corrected to 85° F and 29.38 in. Hg atmospheric pressure.

SERIES # AVAILABILITY	ENGINE (1)					TRANSMISSION	AXLE RATIO (:1) (Std. first) (Indicate A/C ratio)					
	Displ. cu. in.	Carb.	Compr. Ratio	SAE Net @ RPM			Exhaust System*	A	B	C		
				BHP	Torque							
Base - All	350 V8 (L48)	4-BbT	8.2:1	185	280	D	4-spd. Manual (2.85 low) - Base (N.A. in Calif.)	3.36	-	-		
				@ 4000	@ 2400			● 3.08 @	-	3.55		
Optional-All # States except California	350 V8 (L82)	4-BbT	8.9:1	220	260	D	4-spd. Manual (2.64 low) - Base	3.70	3.36	-		
				@ 5200	@ 3600		4-spd. Manual (2.43 low) - Opt.	3.70	-	-		
				● 3.55	-		-					
<p>Positraction standard equipment for all axle ratios. All ratios available with Air Conditioning. # - 'Base' and 'Optional' refer to engine availability. A - Base all states. B - Optional below 4000 Feet altitude. C - Above 4000 Feet altitude</p> <p>(*) Not available in Maryland, Florida, Oregon, and Washington States; Boston, Mass; Grand Rapids, Mich; and DesPlaines, Barrington, and Cook Counties, Ill. @ 3.55 axle ratio for Calif.</p> <p>(1) California and altitudes above 4000 feet:</p> <table style="width: 100%; border: none;"> <tr> <td style="width: 30%;"><u>Engine</u> 350 Cu. In. (RPO L48)</td> <td style="width: 30%;"><u>H.P.</u> 175@3800</td> <td style="width: 30%;"><u>Torque</u> 265@2400</td> </tr> </table>										<u>Engine</u> 350 Cu. In. (RPO L48)	<u>H.P.</u> 175@3800	<u>Torque</u> 265@2400
<u>Engine</u> 350 Cu. In. (RPO L48)	<u>H.P.</u> 175@3800	<u>Torque</u> 265@2400										

*S - Single D - Dual

MVMA Specifications Form Passenger Car

Car Line Corvette
 Model Year 1978 Issued 10-77 Revised (●) _____

Engine Description/Carb.

V8-350 Cu. In./4-Bbl	
RPO L48	RPO L82

Engine — General

Type (incl. V, Flat)	90° 'V'	
T ₁ : dressed engine w/ dry *	622.4	640.7
No. of cylinders	8	
Bore	4.00	
Stroke	3.48	
Piston Displacement cu. in.	350	
Bore spacing (C/L to C/L)	4.40	
Cyl No system (front to rear)	L Bank	1-3-5-7
	R Bank	2-4-6-8
Firing Order	1-8-4-3-6-5-7-2	
Cylinder Head Material	Cast Alloy iron	
Cylinder Block Material	Cast Alloy iron	
Cylinder block deck height	193.3 (7.61)	
Number of mig points	Front	Two
	Rear	One
Engine installation angle	3°	
Recommended fuel leaded, unleaded	Unleaded	
Fuel antiknock index (R+M) 2		
Cylinder Head Volume (cm ³)	75.47	76.18
Head Gasket Thickness (Compressed) CM*RV2 3*EL2)	.021	
Head Gasket Volume (cm ³)	4.58	
Deck Clearance (minimum) (above or below block)	.025 below	
Minimum Combustion Chamber Volume (cm ³)	74.47	75.18

Engine — Pistons

Material	Cast Aluminum Alloy	Aluminum impact extruded	
Description and finish	Sump head; closed slipper skirt	Flat head; notched, slipper skirt	
Weight (piston only) oz.	21.33	20.38	
Clearance (limits)	Top land	.0235 - .0017	
	Skirt	Top	.0007 - .0017
		Bottom	
Ring groove diameter	No. 1 ring	3.541 - 3.556	
	No. 2 ring	3.541 - 3.556	
	No. 3 ring	3.577 - 3.592	
		3.546 - 3.556	
		3.546 - 3.556	
		3.582 - 3.592	

*Dressed engine weight includes the following:

Material required to make the engine an independent working power unit less radiator hoses, coolant, accelerator controls or engine mountings.

MVMA Specifications Form Passenger Car

Car Line CORVETTE
 Model Year 1978 Issued 10-77 Revised (●) _____

Engine Displacement	
V8- 350 CID	
RPO L48	RPO L82

Engine - Piston Rings

Function (top to bottom)	No. 1. oil or comp.	Compression
	No. 2. oil or comp.	Compression
	No. 3. oil or comp.	Oil
Compression	Description - Upper material, coating, etc. Lower	Cast alloy iron, inside bevel, tapered face, chrome flash, Moly Channel for L 82. Cast alloy iron, reverse twist, tapered face, lubrited
	Width	Upper - .0775 - .0780; Lwr - .0770 - .0775 Upr & Lwr - .0770 - .0775
	Gap	Upper - .010 - .020; Lower - .013 - .025
Oil	Description - material, coating, etc.	Multi-piece (2 rails and 1 spacer expander) Rails - steel, chrome plated OD; Expander - stainless steel
	Width	.1850 - .1870
	Gap	.015 - .055
Expanders		In oil ring assembly

Engine - Piston Pins

Material		Chromium steel	
Length		2.990 - 3.010	
Diameter		.9270 - .9273	
Type	Locked in rod, in piston, floating, etc.	Locked in rod	
	Bushing	In rod or piston	None
		Material	- - -
Clearance	In piston	.00025 - .00035	.00045 - .00055
	In rod	- - -	- - -
Direction & amount offset in piston		Major thrust side - .060	None

Engine - Connecting Rods

Material		Drop forged steel	
Weight (oz.)		13.70	20.80
Length (center to center)		5.695 - 5.705	
Bearing	Material & Type	Premium Aluminum	
	Overall length	.797	
	Clearance (limits)	.0013 - .0035	
	End Play	.006 - .016	

MVMA Specifications Form Passenger Car

Car Line CORVETTE
 Model Year 1978 Issued _____ Revised (●) _____

Engine Displacement

V8 - 350 CID/4-Bb1	
RPO L48	RPO L82

Engine—Crankshaft

Material	Cast nodular iron	Forged steel	
Vibration damper type	Rubber mounted inertia		
End thrust taken by bearing (No.)	5		
Crankshaft end play	.002 - .007		
Main bearing	Material & type	Premium Aluminum (*)	
	Clearance	#1 - .0008 - .0020; #2,3, & 4 - .0011-.0023; #5 - .0017 - .0033	
	Journal dia. and bearing overall length	No. 1	2.4502 x .752
		No. 2	2.4502 x .752
		No. 3	2.4502 x .752
		No. 4	2.4502 x .752
		No. 5	2.4508 x 1.180
		No. 6	- - -
No. 7		- - -	
Dir & amt. cyl. offset	- - -		
No bolts/main brg. cap	2		
Crankpin journal diameter	2.099 - 2.100		

Engine—Camshaft

Location	In block above crankshaft		
Material	Cast alloy iron		
Bearings	Material	Steel backed babbitt	
	Number	5	
Type of Drive	Gear or chain	Chain	
	Crankshaft gear or sprocket material	Sintered iron	
	Camshaft gear or sprocket material	Nylon teeth with aluminum hub	
	Timing chain	No of links	46
		Width	.625
Pitch		.500	

- * - M400 # 1,2,3, & 4.
- M100 #5 Upper
- M100 #5 Lower with man. trans.
- M400 #5 Lower with Auto trans.

MVMA Specifications Form Passenger Car

Car Line CORVETTE
Model Year 1978 Issued 10-77 Revised (●) _____

Engine Displacement

V8 - 350 CID /4-Bb1	
RPO L48	RPO L82

Engine—Valve System

Hydraulic lifters (Std. opt., NA)		Standard			
Valve rotator, type (intake, exhaust)		Exhaust			
Push rods (dia., length, material)		.3125 x 7.72 steel welding tubing .3120 x 7.72 stl. welding tubing (A)			
Rocker ratio		1.50:1			
Operating tappet clearance (indicate hot or cold)	Intake	Zero			
	Exhaust	Zero			
Timing (based on top of ramp points)	Intake	Opens (°BTC)	28	52	
		Closes (°ABC)	72	114	
		Duration (deg)	280	346	
	Exhaust	Opens (°BBC)	78	98	
		Closes (°ATC)	30	62	
		Duration (deg)	288	340	
Valve open overlap (deg)		58	114		
Intake	Material		Alloy steel		
	Overall length		4.870 - 4.889		
	Actual overall head dia		1.935 - 1.945	2.017 - 2.023	
	Angle of seat & face (deg)		46 seat, 45 face		
	Seat insert material		None		
	Stem diameter		.3410 - .3417		
	Stem to guide clearance		.0010 - .0027		
	Lift (@ zero lash)		.3900	.4500	
	Outer spring press. & length	Valve closed (lb. @ in.)	76 - 84@1.70		
		Valve open (lb. @ in.)	180 - 188@1.25	196 - 204@1.25	
	Inner spring press. & length	Valve closed (lb. @ in.)	Spring damper		
		Valve open (lb. @ in.)	Spring damper		
	Exhaust	Material		High alloy steel, aluminized head (b)	
		Overall length		4.910 - 4.930	4.891 - 4.910
Actual overall head dia.		1.495 - 1.505	1.595 - 1.605		
Angle of seat & face (deg)		46 seat, 45 face			
Seat insert material		None			
Stem diameter		.3410 - .3417			
Stem to guide clearance		.0010 - .0027			
Lift (@ zero lash)		.4100	.4600		
Outer spring press. & length		Valve closed (lb. @ in.)	76 - 84@1.61	76 - 84@1.70	
		Valve open (lb. @ in.)	186 - 194@1.16	197 - 210@1.25	
Inner spring press. & length		Valve closed (lb. @ in.)	Spring damper		
		Valve open (lb. @ in.)	Spring damper		

(a) Steel insert on rocker arm end. (b) RPO L48 - chrome flash stem; RPO L82 - full chrome stem.

MVMA Specifications Form Passenger Car

Car Line Corvette
 Model Year 1978 Issued 10-77 Revised (●) _____

Engine Description/Carb.

350 CID V8/4-BB1	
RPO L48	RPO L82

Engine — Lubrication System

Type of lubrication (splash, pressure, nozzle)	Main bearings	Pressure
	Connecting rods	Pressure
	Piston pins	Splash
	Camshaft bearings	Pressure
	Tappets	Pressure
	Timing gear or chain	Centrifugally oiled from camshaft bearing
	Cylinder walls	Pressure jet cross sprayed
Oil pump type	Gear	
Normal oil pressure (lb @ engine rpm)	32-40@2000	
Type oil intake (floating, stationary)	Stationary	
Oil filter system (full flow, part., other)	Full Flow	
Capacity of oil case, less filter-refill (qt.)	4.0	
Oil grade recommended (SAE viscosity and temperature range)	20°F and above - 20W-20, 10W-30, 10W-40, 20W-40, 20W-50; 0°-20°F 10W, 5W-30, 10W-30, 10W-40; Below 20°F -5W20, 5W-30	
Engine service reqmt. (SD, SE, etc.)	SE	

Engine — Exhaust system

Type (single, single with cross-over, dual, other)	Dual, single converter with crossover	
Muffler No. & type (reverse flow, straight thru, separate resonator)	Two, reverse flow	
Resonator No. & type	None	
Exhaust Pipe	Branch O. D., wall thickness	2.00 x .071
	Main O. D., wall thickness	2.50 x .071
	Material	Stainless steel tubing - laminated
Inter-mediate Pipe	O. D. & wall thickness	2.25 x .072
	Material	Stainless steel tubing - laminated
Tail Pipe	O.D. & wall thickness	2.25 x .062
	Material	Welded or seamless steel tubing.

MVMA Specifications Form Passenger Car

Car Line CORVETTE
 Model Year 1978 issued 10-77 Revised (e) 2/78

Engine Displacement	
V8 - 350 CID/4-bb1	
RPO L48	RPO L82

Engine — Fuel System

(See supplemental page for Details of Fuel Injection, Supercharger, etc. if used)

Induction type: Carburetor, fuel injection supercharger		Carburetor	
Fuel Tank	Refill capacity (U. S. gals.)	Approximately 24	
	Filler location	Center of rear deck	
Fuel Pump	Type (elec. or mech.)	Mechanical	
	Locations	Lower right front of engine	
	Pressure range	7.5 - 9.0 PSI	
Vacuum booster (std., optional, none)		None	
Fuel Filter	Type	Fine mesh plastic strainer in gas tank and paper filter element in carburetor inlet	
	Locations		
Carburetor	Choke type	Automatic	
	Intake manifold heat control (exhaust or water)	Exhaust	
	Air cleaner type	Standard	Ducted air, closed paper element, thermac, dual snorkel, steel*
		Optional	
Idle speed (spec. neutral or drive)	Manual	700/N	900/N
	Automatic	500/D	700/D
Idle A/F mix.		Not specified	

Carburetor Supplementary Information

Model Usage	Piston Displ.	Transmission	Carburetors		No. Used and Type	Barrel Size
			Make	Model (a)		
All	350 (L48)	Manual	Rochester	17058203	One; 4-Bb1	1.38 Pri. 2.25 Sec.
		Automatic		17058202 (17058502)		
	350 (L82)	Manual	Rochester	17058211	One; 4-Bb1	1.38 Pri. 2.25 Sec.
		Automatic		17058210		

(a) Data bracketed () are specific to California.
 *- Single snorkel on L48.

MVMA Specifications Form

Passenger Car

Car Line Corvette
 Model Year 1978 Issued 10-77 Revised (●) _____

Engine Description/Carb.

350 CID V8/4-BB1	
RPO L48	RPO L82

Engine — Cooling System

Coolant recovery system (std., opt., none)		Standard	
Radiator cap relief valve pressure		15 PSI	
Circulation thermostat	Type (choke, bypass)	Choke	
	Starts to open at (°F)	192-198	
Water pump	Type (centrifugal, other)	Centrifugal	
	GPM 1000 pump rpm	22.7	
	Number of pumps	One	
	Drive (V-belt, other)	V-belt	
	Bearing type	Permanently lubricated double row ball	
By-pass recirculation type (inter., ext.)		Internal	
Radiator core type (cross-flow, vertical, cellular, tube and fin, other)		Cross flow, tube & center	
Cooling system capacity	With heater (qt.)	21.6	
	Without heater (qt.)		
	Opt. equipment-specicity (qt.)		
Water jackets full length of cyl. (yes, no)		Yes	
Water all around cylinder (yes, no)		Yes	
Radiator hose	Lower	Number and type (molded, straight)	One, molded
		Inside diameter	1.75
	Upper	Number and type (molded, straight)	One, molded
		Inside diameter	1.50
	By-pass	Number and type (molded, straight)	None
		Inside diameter	---
Radiator	Standard	Width	26.3
		Height	16.97
		Thickness	1.96 2.68
	A/C	Width	26.3
		Height	16.97
		Thickness	1.96 2.68
Heavy duty	Width	26.3	
	Height	16.97	
	Thickness	2.68 ---	
Fan (Standard)	Number of blades & spacing		5
	Diameter		17.5
	Ratio-fan to crankshaft rev.		.949:1
	Fan cutout type		
Fan (Optional)	No. of blades and spacing		7
	Diameter		18.5
	Ratio - fan to crankshaft rev.		.949:1
	Fan cut-out type		

MVMA Specifications Form Passenger Car

Car Line CORVETTE
 Model Year 1978 Issued 10-77 Revised (●) _____

Engine Displacement

V8-350 (RPO L48) All states except Calif.	RPO L48 - 49 states above 4000 ft. & California RPO 182 - All states except Calif.
--	---

Vehicle Emission Control

Type (Air injection, engine modifications, other)		Engine modifications	Manifold Air Injection
Air Injection Pump	Type		Semi - articulated vane
	Displacement		19.3 cu. in.
	Drive ratio		1.15:1
	Drive type	CONTROLLED	Crankshaft pulley
	Relief valve (type)		Diverter valve
	Filter (describe)		Centrifugal air cleaner
Air Injection System	Air distribution (head, manifold, etc.)	COMBUSTION	MANIFOLD
	Point of entry		Exhaust ports
	Injection tube i. d.		.2700
	Check valve type		Pressure plate system
	Backfire protection (type)	SYSTEM	Diverter valve
Exhaust Gas Recirculation System	Type (controlled flow, open orifice, other)	Controlled Flow	
	Valve type	Vacuum modulated shut-off and metering valve	
	Valve location	Right rear at manifold	
	Control energy source	Carburetor vacuum	
	Exhaust source	Manifold exhaust crossover	
	Exhaust cooler type	None	
	Orifice no. and size	One, 0.030"	
Catalytic Converter System	Catalyst	Type	Platinum - palladium
		Volume	260 cu. in.
	Substrate type	Alumina	
	Container location	Beneath underbody, below pass. seat.	
Other	Carburetor	Thermostatically controlled air cleaner	
	HOT AIR	Regulates and mixed heated air with incoming cold air to reduce carbon emission.	

Exhaust Emission Control

MVMA Specifications Form Passenger Car

Car Line CORVETTE
 Model Year 1978 Issued 10-77 Revised (e) _____

Engine Displacement

V8 - 350 CID /4-bbl.	
RPO L48	RPO L82

Vehicle Emission Control (Continued)

	Type (ventilates to atmos., induction system, other)	Standard		
		Optional		
Crankcase Emission Control			Induction system	
			- - -	
	Control Unit	Make and model		AC Spark Plug
		Location		Left front rocker cover
		Energy source (manifold vacuum, carburetor, other)		Manifold vacuum
		Control method (variable orifice, fixed orifice, other)		Variable orifice
	Complete System	Discharges (to intake manifold, other)		Intake manifold
		Air inlet (breather cap, other)		Carburetor Air Inlet
		Flame arrestor (screen, other)		Screen
	Evaporative Emission Control	Fuel Tank	Thermal expansion volume (cu. ft.)	Approximately 10% of refill capacity
Relief pressure (psi) and location			1.1 PSI	
Vacuum relief (psi) and location			0.7 PSI	
Vapor-liquid separator type			Integral with fuel tank	
Vapor vented to (crankcase, canister, other)			Canister	
			- - -	
Carburetor		Vapor vented to (crankcase, canister, other)		- - -
Vapor Storage		Storage provision (crankcase, canister, other)		Canister
				- - -
		Volume (cu. ft.) or capacity (grams)		Approximately 50 grams storage capacity
Control valve type		Controlled by orifices and carburetor throttle body and throttle blade position.		

**MVMA Specifications Form
Passenger Car**

Car Line CORVETTE
 Model Year 1978 Issued 10-77 Revised (●) _____

Engine Description/Carb.

350 CID V8/4-Barrel		
RPO L48		RPO L82

Electrical — Supply System

Battery	Make and Model		Delco Remy 87-5 'Freedom'
	Voltage Rtg & Total Plates		12V, 3500 Watts
	SAE Designation No. and/or capacity		100 minutes reserve capacity
	Location		In stowage compartment behind driver
Generator or Alternator	Make		Delco Remy
	Model		1102484
	Type and rating		Diode Rectified - 42 Amps
	Output at engine idle (neutral)		14-22A
	Ratio—Gen. to Cr/s rev.		2.46:1
Regulator	Make		Delco Remy
	Model		- - -
	Type		Micro circuit unit, integral with alternator
	Regulated	Voltage	13.8 -14.8
		Current	
	Voltage test conditions	Temperature	Operating
		Load	3 - 8A
Other		None	

Electrical — Starting System

Starting Motor	Make		Delco Remy	
	Model		1109059 - Man. Trans.; 1109052 - Auto. Trans.	
Motor Drive	Engagement type		Positive shift solenoid	
	Pinion engages from (front, rear)		Rear	
	Number of teeth	Pinion		9
		Flywheel	Manual	153
			Auto	168

MVMA Specifications Form Passenger Car

Car Line CORVETTE
 Model Year 1978 Issued 10-77 Revised (●) _____

Engine Description/Carb.	350 CID V8/4-Barrel	
	RPO L48	RPO L82

Electrical — Ignition System — Distributor

Distributor	Manual	1103337	1103291
	Automatic	1103353 (1103285)	1103291
Timing	Manual	6	12
	Automatic	6 (8)	12

Distributor Model	CENTRIFUGAL ADVANCE Crankshaft Degrees at Engine RPM			VACUUM ADVANCE Crankshaft Deg. at In. of Mercury	
	Start	Intermediate	Maximum	Start	Maximum
1103285	0@1200	12@2000	22@4200	0@4	10@8
1103291	0@1200	13@1600	16@2000	0@4	10@8
1103337	0@1100	12@1600	22@4600	0@4	24@10
1103353	0@1100	12@1600	22@4600	0@4	20@10

Data in brackets () are specific to the State of California.

Specifications Form Car

Car Line CORVETTE
 Model Year 1978 Issued 10-77 Revised (●) _____

Description/Carb.

350 CID V8/4-bb1.	
RPO L48	RPO L82

Electrical—Ignition System

Type	Conventional - Std., Opt., N.A.	- - -	
	Transistorized - Std., Opt., N.A.	- - -	
	Other (specify)	High Energy Ignition System (H.E.I.)	
Coil	Make	Delco Remy	
	Model	Integral with distributor cap	
	Current	Engine stopped	- - -
		Engine idling	- - -
Spark Plug	Make	A.C. Spark Plug	
	Model	R45TS	
	Thread (mm)	14	
	Tightening torque (lb. ft.)	25	
	Gap	.045	

Electrical—Suppression

Locations & type	Non-metallic high tension ignition cables.
------------------	--

Electrical—Instruments and Equipment

Speedometer	Type	Circular dial with pointer.
	Trip odometer (std. opt., N.A.)	Standard
EGR maintenance indicator		NA
Charge Indicator	Type	Voltmeter
	Warning device	NA
Temperature Indicator	Type	Electric Gauge
	Warning device	NA
Oil pressure Indicator	Type	Electric
	Warning device	NA
Fuel Indicator	Type	Electric Gauge
	Warning device	Low fuel indicator optional.
Windshield Wiper	Type - standard	Electric, two speed
	Type - optional	Pulse vapor feature.
	Blade length	16.0 inch
	Swept area	667.0
Windshield Washer	Type - standard	Pushbutton-manual
	Type - optional	None
	Fluid level indicator	NA
Horn	Type	Vibrator
	Number used	2
	Current draw (A) per horn	4.5-6.5 @ 12.5 Volts
Other	Tachometer/anti-theft alarms; parking brake warning light and brake failure warning lights; restraint system warning light and buzzer.	

MVMA Specifications Form Passenger Car

Car Line CORVETTE
 Model Year 1978 Issued 10-77 Revised (●)

Engine Description/Carb.

350 CID V8/4-Barrel	
RPO L48	RPO L82

Drive Units—Clutch (Manual Transmission)

Make & type	Chevrolet, single dry disc Semi-centrifugal		
Type pressure plate springs	Circular plate diaphragm, bent finger design		
Total spring load (lb.)	2100-2300	2450-2750	
No. of clutch driven discs	One		
Clutch facing	Material	Woven type asbestos	
	Manufacturer	Chevrolet	
	Part Number	3682736	
	Rivets/Plate	40	
	Rivet size	.184 x .208	
	Outside & inside dia.	10.34 X 6.50	11.0 x 6.50
	Total eff. area (sq. in.)	101.6	123.70
	Thickness	.140	
Engagement cushioning method	Flat spring steel between friction rings		
Release bearing	Type & method of lubrication	Single row ball, packed and sealed	
Torsional damping	Methods: springs, friction material	Coil springs	

Drive Units—Transmissions

Manual 3-speed (std., opt., N.A.)	N.A.
Manual 4-speed (std., opt., N.A.)	Standard
Manual 5-speed (std., opt., N.A.)	N.A.
Manual overdrive (std., opt., N.A.)	N.A.
Automatic (std., opt., N.A.)	Optional

Drive Units — Manual Trans.

Number of forward speeds	4		4-close ratio (optional)	
Transmission ratios	In first	2.85	2.64	
	In second	2.02	1.75	
	In third	1.35	1.34	
	In fourth	1.00	1.00	
	In fifth	- -	- -	
	In reverse	2.85	2.55	2.35
Synchronous meshing, specify gears	All forward gears			
Shift lever location	Floor mounted in console			
Lubricant	Capacity (pt.)	3		
	Type recommended	GL-5 Gear Lubricant		
	SAE viscosity number	Summer	80W or 80W-90	
		Winter	80W or 80W-90	
Extreme cold		80W or 80W-90		

**MVMA Specifications Form
Passenger Car**

Car Line Corvette
 Model Year 1978 Issued 11-77 Revised (e) 2/78

Engine Displacement	
V8-350 CID /4-bb1.	
RPO L48	RPO L82

Drive Units—Automatic Transmission

Trade name	3 - speed automatic	
Type (describe)	3-Speed torque converter	
Selector location	Lever (floormounted in console)	
Gear Ratios	P	Park
	R	1.93
	N	Neutral
	D	2.52-1.52-1.00
	L2	2.52-1.52
	L1	2.52
Max upshift speed - drive range	70-84	61-73
Max kickdown speed - drive range	66-81	58-70
Torque Converter	Number of elements	3
	Max ratio at stall	2.00
	Type of cooling (air, liquid)	Liquid
	Nominal diameter	11.75
Lubricant	Capacity - refill (pt.)	8
	Type recommended	Dexron II
Special transmission features		

Drive Units—Axle

Type (front, rear)	Rear		
Description	Overhung pinion gear Limited slip differential standard		
Limited Slip differential, type	Disc clutches		
Drive Pinion Offset	1.50 Vertical		
No. of differential pinions	Two		
Pinion adjustment (shim, other)	None		
Pinion bearing adj (shim, other)	Shim		
Wheel bearing type	Tapered Roller		
Lubricant	Capacity (pt.)	3.75	
	Type recommended	GL-5 Gear Lubricant	
	SAE viscosity number	Summer	80W-90
		Winter	80W-90
Extreme cold		80W-90	

Axle Ratio Tooth Combinations (See "Power Teams" for axle ratio usage)

Axle ratio	3.08	3.36	3.55	3.70	
No. of teeth	Pinion	13	11	9	10
	Ring gear	40	37	32	37
Ring Gear O D	8.375				

MVMA Specifications Form Passenger Car

Car Line CORVETTE
 Model Year 1978 Issued 10-77 Revised (●) _____

Engine Description/Carb.

350 CID V8/4-Barrel	
RPO L48	RPO L82

Drive Units—Propeller Shaft

Number used		One
Type (straight tube, tube-in-tube, internal-external damper, etc.)		Straight Tube
Outer diam. x length* x wall thickness	Manual 3-speed trans.	N.A.
	Manual 4-speed trans.	2.5 x 29.50 x 0.083
	Manual 5-speed trans.	N.A.
	Overdrive	N.A.
	Automatic transmission	2.5 x 29.81 x 0.083
Inter-mediate bearing	Type (plain, anti-friction)	None
	Lubrication (fitting, prepack)	- -
Slip Yoke	Type	Yoke
	Number of teeth	32
	Spline O. D.	1.175
Universal joints	Make and Mfg. No.	Chevrolet
	Number used	Two
	Type (ball and trunnion, cross)	Cross
	Rear attach. (u-bolt, clamp, etc.)	Strap and bolt
	Bearing	Type (plain, anti-friction)
Lubric. (fitting, prepack)		Pre-pack
Drive taken through (torque tube or arms, springs)		Torque control arms
Torque taken through (torque tube or arms, springs)		Torque control arms

*Center to center of universal joints, or to centerline of rear attachment.

MVMA Specifications Form
Passenger Car

Car Line Corvette
Model Year 1978 Issued 10-77 Revised (e) 2-78

Body Type And/Or Engine Displacement, Etc.

2-DOOR SPORT COUPE

Drive Units — Tires And Wheels (Standard)

TIRES	Size, load range, ply		P225/70R15 (B/W std, W/L opt.)
	Type (bias, radial, etc.)		Steel Belted Radial
	Inflation pressure (cold) for recommended max. vehicle load	Front	28
		Rear	32
	Rev./mile @ 45 mph		760
WHEELS	Type & material		Short spoke spider; steel
	Rim (size & flange type)		15x8
	Wheel offset		N-0.50
	Attachment	Type (bolt or stud)	Stud
		Circle diameter	4.75
		Number & size	5 hex nuts 7/16-20 UNF 2-B
Spare wheel (same or other)		15x5	

Drive Units — Tires And Wheels (Optional)

Size, load range, ply		P255/60R15 (W/L)
Type (bias, radial, etc.)		Steel Belted Radial (Aramid Fabric Belt)
Wheel type & material		Cast Aluminum
Rim (size, flange type, and offset)		15x8 N-0.50
Size, load range, ply <u>std. Spare</u>		P195/80D15
Type (bias, radial, etc.)		Bias ply
Wheel type & material		
Rim (size, flange type, and offset)		
Size, load range, ply		
Type (bias, radial, etc.)		
Wheel type & material		
Rim (size, flange type, and offset)		
Size, load range, ply		
Type (bias, radial, etc.)		
Wheel type & material		
Rim (size, flange type, and offset)		
Size, load range, ply		
Type (bias, radial, etc.)		
Wheel type & material		
Rim (size, flange type, and offset)		

Brakes — Parking

Type of control		Grip handle control
Location of control		Between seats
Operates on		Rear brake drums inboard of disc rotors on axle shafts
If separate from service brakes	Type (internal or external)	Internal
	Drum diameter	6.50
	Lining size (length x width x thickness)	6.78x1.25x0.175

MVMA Specifications Form Passenger Car

Car Line Corvette
 Model Year 1978 Issued 10-77 Revised (●) 2-78

Body Type And/Or Engine Displacement

2-DOOR SPORT COUPE

Brakes — Service

Brake Type (std., opt., N.A.)	Drum	Front	---	
		Rear	---	
	Disc	Front	Standard	
		Rear	Standard	
Self adjusting (std., opt., N.A.)			Standard	
Special Valving	Type (proportion, delay, metering, other)		Metering	
Power Brake (std., opt., N.A.)			Standard	
Booster Type (remote, integral, etc.)			Integral	
Effective area (sq. in.)*			74.92	
Gross lining area (sq. in.)**			86.30	
Swept area (sq. in.)***			498.30	
Drum	Diameter (nominal)	Front	---	
		Rear	---	
Type and material			---	
Rotor	Outer working diameter		11.75	
	Inner working diameter		8.00	
	Thickness		1.25	
	Material & type (vented/solid)		Cast iron, vented	
Wheel cylinder bore	Front	1.875		
	Rear	1.375		
Master Cylinder	Bore	1.125		
	Stroke	1.139		
Pedal arc ratio			3.51:1	
Line pressure at 100 lb. pedal load				
Shoe Clearance	Front	Self adjusting		
	Rear	Self adjusting		
Anti-skid device type (std., opt., N.A.)			N.A.	
Brake lining	Bonded or riveted, rivets/seg.		Riveted	
	Rivet size		.143x.250	
	Manufacturer		Delco Moraine	
	Part number			
	Front Wheel	Material		Molded asbestos
		Size (length x width x thickness)	Prim. or out-board	5.40x1.93x0.41
			Second. or in-board	5.40x1.93x0.41
		Segments per shoe		One
		Shoe thickness		.500
		Rear Wheel	Material	
	Size (length x width x thickness)		Prim. or out-board	5.40x1.93x0.41
			Second. or in-board	5.40x1.93x0.41
	Segments per shoe		One	
	Shoe thickness		.500	

* Excludes rivet holes, grooves, chamfers, etc.

** Includes rivet holes, grooves, chamfers, etc.

*** Total swept area for four brakes. (Drum brake: Widest lining contact width for each brake x its contact circumference.) (Disc brake: Square of Outer Working Dia. minus square of Inner Working Dia. multiplied by $\pi/2$ for each brake.)

MVMA Specifications Form Passenger Car

Car Line CORVETTE
 Model Year 1978 Issued 10-77 Revised (e) 2-78

2-DOOR SPORT COUPE

Steering

Manual (std. opt., NA)		---			
Power (std. opt., NA)		STANDARD - energy absorbing steering column			
Adjustable steering wheel (tilt, swing, other)	Type and description	Tilt and telescope steering wheel; 2" adjustment			
	(std., opt., NA)	Optional			
Wheel diameter	Manual	---			
	Power	14.75 x 14.25			
Turning diameter (feet)	Outside front	Wall to wall (l. & r.)	38.6		
		Curb to curb (l. & r.)	37.0		
	Inside rear	Wall to wall (l. & r.)	11.4		
		Curb to curb (l. & r.)	10.5		
Manual	Gear	Type			
		Make			
		Ratios	Gear Overall		
	No. wheel turns (stop to stop)				
	Type (coaxial, linkage, etc.)			Linkage, power pump assisted	
Power	Make			Saginaw Steering	
	Gear	Type	Semi-reversible, recirculating ballnut		
		Ratios	Gear	16.1:1	
		Overall	17.6:1		
	Pump driven by			Crankshaft pulley	
	No. wheel turns (stop to stop)			2.92	
Linkage	Type			Parallelogram	
	Location (front or rear of wheels, other)			Rear	
	Drag link (trans. or longit.)			None	
	Tie rods (one or two)			Two	
Steering Axis	Inclination at camber (deg.)			7.68 @ 5 camber	
	Bearings (type)	Upper	Ball stud with non-metallic bearing surface		
		Lower	Ball stud with non-metallic bearing surface		
		Thrust			
Whl. Align (range at curb wt. & preferred)	Caster (deg.)		$+2.405 \pm \frac{1}{2}$		
	Camber (deg.)		$+0.709 \pm \frac{1}{2}$		
	Toe-in (outside track inches)		$0 \pm 1/32$		
Steering spindle & joint type				Steering knuckle with spherical joint	
Wheel Spindle	Diameter	Inner bearing	1.3743-1.3748		
		Outer bearing	0.8428-0.8433		
	Thread size		27/32 - 20 UNEF (modified)		
Bearing type				Taper Roller	
Wheel Align. @ curb wt.	Service checking	Caster (deg.)	$+1\frac{1}{2}^{\circ}$ to $+3\frac{1}{2}^{\circ}$		
		Camber (deg.)	0 to $+1\frac{1}{2}^{\circ}$		
		Toe-in (outside)	$+0.12^{\circ}$ to $+0.36^{\circ}$		
Periodic M V inspection	Service reset	Caster	$+2\frac{1}{2}^{\circ} \pm \frac{1}{2}^{\circ}$		
		Camber	$+3/4^{\circ} \pm \frac{1}{2}^{\circ}$		
		Toe-in	$+0.25^{\circ} \pm 0.06^{\circ}$		
Periodic M V inspection	Service reset	Caster	$+1\frac{1}{2}^{\circ}$ to $+4\frac{1}{2}^{\circ}$		
		Camber	$-3/4^{\circ}$ to $+2\frac{1}{2}^{\circ}$		
		Toe-in	-0.12° to $+0.60^{\circ}$		

Rear Wheel Alignment: Camber - $0.874 \pm \frac{1}{2}$; Toe-in - $0 \pm 1/32$

MVMA Specifications Form Passenger Car

Car Line Corvette
 Model Year 1978 Issued 10-77 Revised (e) 2-78

Body Type And/Or Engine Displacement

2-DOOR SPORT COUPE

Suspension — General

(See Supplement page for details on Air Suspension)

Provision for car leveling	Front stabilizer shaft	
Provision for brake dip control	Mounting angle at front upper control arm	
Provision for acc. squat control	None	
Special provisions for car jacking	Front - 5" forward of front door opening, under frame Rear - 3" forward of wheel opening, under frame	
Shock absorber front & rear	Type	Direct double acting hydraulic
	Make	Delco
	Piston dia.	1.0 (a)
Other special features		

Suspension — Front

Type and description	Independent, SLA with coil springs	
Travel	Full Jounce	4.76
	Full Rebound	2.94
Spring	Type (coil, leaf, other)	Coil
	Material	Steel alloy
	Size (coil design height & I.D., bar length x dia.)	10.49x3.80; 133.83x.609(a)
	Spring rate (lb. per in.)	295 (a)
	Rate at wheel (lb. per in.)	117.6(a)
Stabilizer	Type (link, linkless, frameless)	Link
	Material & bar diameter	HR steel - 0.875; Optional-RPOFE7-1.12"

Suspension — Rear

Type and description	Full independent with fixed differential; transverse Multi-leaf spring, lateral struts & universally jointed axle shafts	
Drive and torque taken through	Torque control arms	
Travel	Full Jounce	3.70
	Full Rebound	2.80
Spring	Type (coil, leaf, other)	Multi-leaf
	Material	Chrome carbon steel
	Size (length x width, coil design height & I.D., bar length & dia.)	48.60x2.50
	Spring rate (lb. per in.)	198 (a)
	Rate at wheel (lb. per in.)	151.4 (a)
Mounting insulation type		Rubber mounted at differential, vertical loading only at shackle.
If leaf	No. of leaves	10
	Shackle (comp. or tens.)	Tension
Stabilizer	Type (link, linkless, frameless)	Link (RPO FE7 Gymkhana Suspension only)
	Material & bar diameter	HR steel; 0.440"
Track bar type	None	

(a) For base equipped model, springs are computer selected by size and rate according to vehicle weight including optional equipment. Spring rates and shock absorber equipment may vary when engine, transmission or gymkhana suspension options are used.

MVMA Specifications Form
Passenger Car

Car Line Corvette
 Model Year 1978 Issued 10-77 Revised (e) 2-78

Body Type

2-DOOR SPORT COUPE

Frame

Type and description (Separate frame, unitized frame, partially - unitized frame)

All welded, full length, ladder constructed frame with (5) crossmember

Body — Miscellaneous Information

Type of finish (lacquer, enamel, other)		Lacquer
Hood counterbalanced (yes, no)		No
Hood release control (internal, external)		Internal
Vehicle indent No. location		Left hand windshield pillar
Theft protection - type		Lock mounted on steering column; locks Steering wheel, and ignition anti-theft. @
Vent window control method (crank, friction pivot, power)	Front	None
	Rear	None
Seat cushion type	Front	Bucket, polyurethane padding
	Rear	None
	3rd seat	None
Seat back type	Front	Bucket, polyurethane padding
	Rear	None
	3rd seat	None
Windshield glass type		Curved - laminated plate-tinted
Side glass type		Curved - laminated plate-tinted
Backlight glass type		Curved - tempered plate - tinted
Windshield glass exposed surface area		793.5
Side glass exposed surface area		800.8
Backlight glass exposed surface area		1425.3
Total glass exposed surface area		3019.6

@ Anti-theft alarm under hood signals tampering with doors, hood and lift-out roof panels. Drivers door key lock arms or disarms alarm system.

MVMA Specifications Form Passenger Car

Car Line Corvette
 Model Year 1978 Issued 10-77 Revised (e) 2-78

Body Type

2-DOOR SPORT COUPE

Convenience Equipment

	Side windows	Optional
Power windows	Vent windows	NA
	Backlight or tailgate	NA
	Power seats (specify type as well as availability)	NA
	Reclining front seat back (R-L or both)	NA
	Radios (specify type as well as availability)	Optional - AM/FM pushbutton, AM/FM stereophonic, AM/FM stereo-CB, AM/FM with stereophonic tape player.
	Rear seat speaker	Dual rear auxiliary speakers optional
	Power antenna	Optional (included with CB unit)
	Clock	Standard
	Air conditioner (specify type and availability)	Optional-four-season (Manual Control)
	Speed warning device	NA
	Speed control device	Optional - Automatic Transmission Models Only
	Ignition lock lamp	NA
	Dome lamp	Standard (Delay feature optional)
	Glove compartment lamp	Standard
	Luggage compartment lamp	NA (Illuminated by dome lamp)
	Underhood lamp	Optional
	Courtesy lamp	Standard (Delay feature optional)
	Map lamp	NA
	Cornering light lamp	NA
	Rear window defroster electrically heated	Optional
	Rear window defogger	NA
	Theft Alarm	Standard
	Headlamps on warning	Optional

Lamp Height And Spacing*

Height above ground to center of bulb or marker	Headlamp (H125)	Highest**	25.9
		Lowest	25.9
	Tail (H126)	Highest	25.4
		Lowest	25.4
	Sidemarker	Front	17.5
		Rear	18.9
Distance from C/L of car to center of bulb	Headlamp	Inside	
		Outside**	
	Tail	Inside	
		Outside	
	Directional	Front	
		Rear	

*Measured with passenger load and trunk/cargo load specified in Car and Body Dimension section.

**If single headlamps are used enter here.

MVMA Specifications Form
Passenger Car

Car Line Corvette
 Model Year 1978 Issued 10-77 Revised (•) _____

Equipment Differential Weights	Optional Equipment Weights			Remarks
	WEIGHT (Pounds)			
	Front	Rear	Total	
Air Conditioning	+ 47	+ 16	+ 63	with L48 Engine
	+ 50	+ 17	+ 67	with L82 engine
Power Windows	+4.0	+4.0	+8.0	
Gymkhana Susp.				
Front and Rear	+ .3	+ .4	+ .7	
Radio AM/FM Pushbutton	+ .7	+ .6	+ 1.3	
Radio AM/FM Stereophonic	+ .7	+ .6	+ 1.3	
Radio AM/FM Stereophonic Tape player	+ .8	+ .7	+ 1.5	
Tilt & Telescopic Steering wheel	+ .2	0	+ .2	
Heavy Duty Battery	0	+ 5	+ 5	
350 Cu. In. V8-L82	+ 17	+ 3	+ 20	
3-speed Auto. Trans.	+ 21	+ 13	+ 34	

**MVMA Specifications Form
Passenger Car**

Car Line CORVETTE
 Model Year 1978 Issued 10-77 Revised (e) 2-78

Body Type

2-DOOR SPORT COUPE

Vehicle Fiducial Marks

Fiducial Mark
Number *

Define Coordinate Location

Front

X - FIDUCIAL MARK TO VERTICAL BODY ZERO LINE-FRONT, MEASURED HORIZONTALLY FROM THE BODY ZERO LINE TO THE FRONT FIDUCIAL MARK LOCATED ON TOP OF THE FRONT SEAT ADJUSTER MOUNTING BOLT.

Y - FIDUCIAL MARK TO CENTERLINE OF CAR-FRONT, WIDTH MEASUREMENT MADE FROM CENTERLINE OF CAR TO FIDUCIAL MARK LOCATED ON TOP OF THE FRONT SEAT ADJUSTER MOUNTING BOLT.

Z - FIDUCIAL MARK TO HORIZONTAL BODY ZERO LINE-FRONT, MEASURED VERTICALLY FROM BODY ZERO LINE TO FRONT FIDUCIAL MARK LOCATED ON TOP OF THE FRONT SEAT ADJUSTER MOUNTING BOLT.

Rear

X - FIDUCIAL MARK TO VERTICAL BODY ZERO LINE-REAR, MEASURED HORIZONTALLY FROM BODY ZERO LINE TO THE REAR FIDUCIAL MARK LOCATED ON REAR UNDERBODY CROSSBAR.

Y - FIDUCIAL MARK TO CENTERLINE OF CAR-REAR, WIDTH MEASUREMENT MADE FROM CENTERLINE OF CAR TO FIDUCIAL MARK LOCATED ON THE REAR UNDERBODY CROSSBAR.

Z - FIDUCIAL MARK TO HORIZONTAL BODY ZERO LINE-REAR, MEASURED VERTICALLY FROM BODY ZERO LINE TO THE REAR FIDUCIAL MARK LOCATED ON REAR UNDERBODY CROSSBAR.

Fiducial
Mark
Number

Coordinate Location of
Fiducial Mark

Fiducial Mark
to Ground
at Curb

Front

X Y Z
30.95 27.02 1.88

260 (10.2 in)

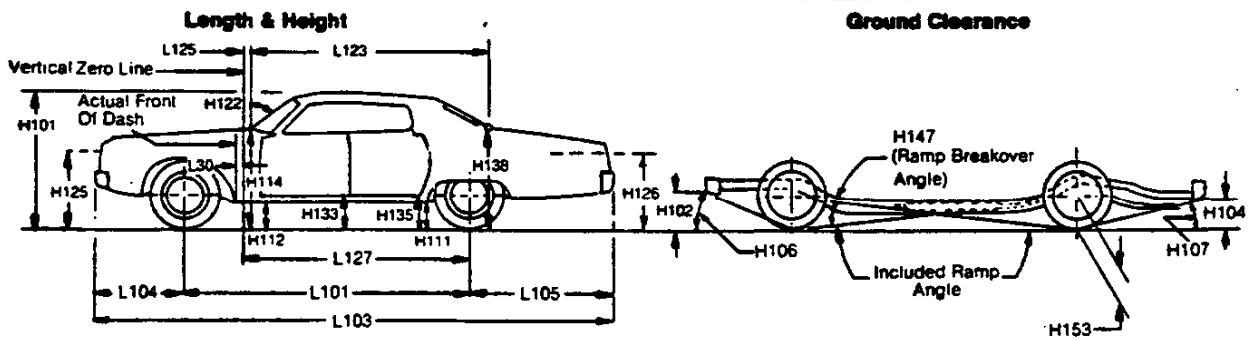
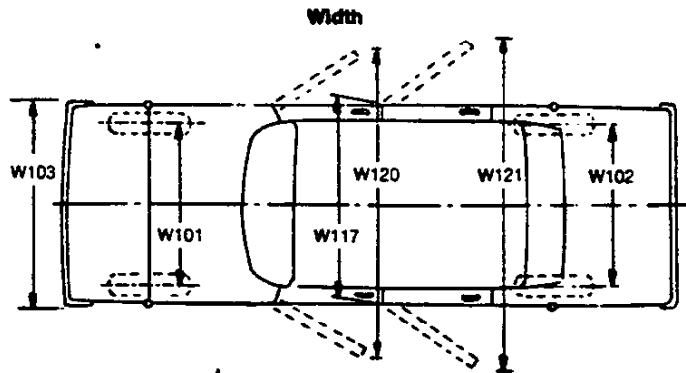
88.18 24.14 12.37

523 (20.6 in)

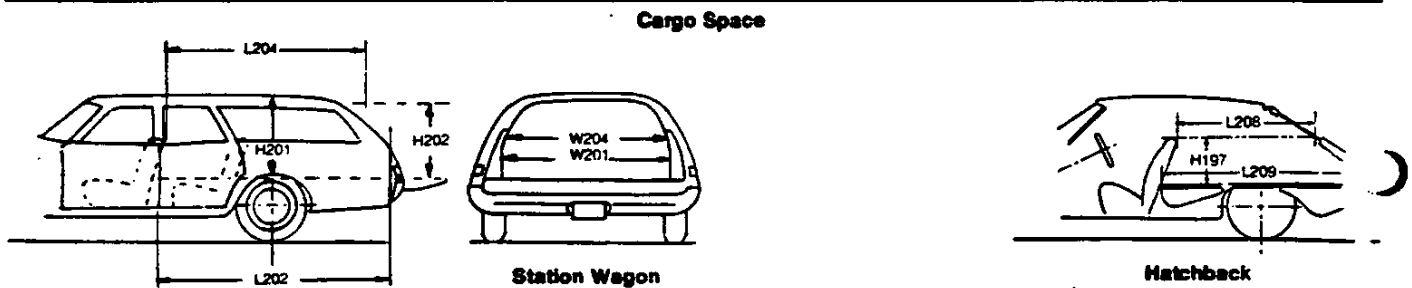
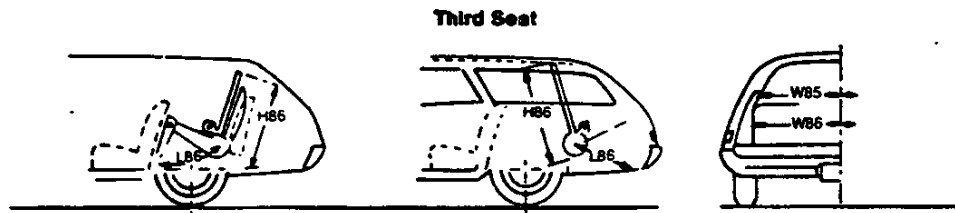
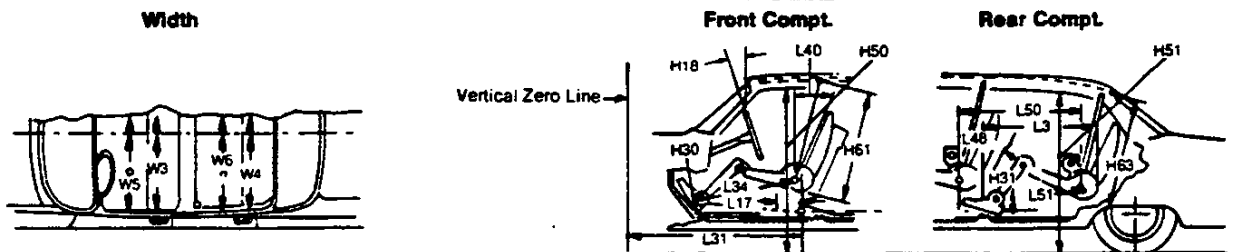
Rear

MVMA Specifications Form Passenger Car

Exterior Car And Body Dimensions — Key Sheet



Interior Car And Body Dimensions — Key Sheet



MVMA Specifications Form

Passenger Car

Exterior Car And Body Dimensions — Key Sheet

Dimension Definitions

Width Dimensions

- W101 WHEEL TREAD — FRONT. Measured at centerline of tires, with nominal camber, at ground.
- W102 WHEEL TREAD — REAR. Measured at centerline of tires at ground.
- W103 MAXIMUM OVERALL CAR WIDTH. Include bumpers, moldings, or sheet metal protrusions. Measured to outside of metal.
- W117 MAXIMUM BODY WIDTH AT NO. 2 PILLAR. Measured across body at No. 2 pillar, excluding hardware and applied moldings.
- W120 MAXIMUM OVERALL CAR WIDTH, FRONT DOORS OPEN is measured to outside of sheet metal with front doors in maximum hold-open position.
- W121 MAXIMUM OVERALL CAR WIDTH, REAR DOORS OPEN is measured in same manner as W120.

Length Dimensions

- L30 VERTICAL ZERO LINE TO ACTUAL FRONT OF DASH. If actual front of dash is to the rear of Body Zero Line, it is identified by a minus (—) sign.
- L101 WHEELBASE.
- L103 OVERALL LENGTH. Include bumper guards if standard equipment.
- L104 OVERHANG — FRONT. Measured from C/L of front wheels to front of car, including bumper guards if standard equipment.
- L105 OVERHANG — REAR. Measured from C/L of rear wheels to rear of car, including bumper guards if standard equipment.
- L123 BODY UPPER STRUCTURE LENGTH AT CAR CENTERLINE. The horizontal dimension from the Cowl Point to the Deck Point.
- L127 VERTICAL ZERO LINE TO CENTERLINE OF REAR WHEELS. A horizontal dimension.
- L125 VERTICAL ZERO LINE TO WINDSHIELD COWL POINT. The horizontal dimension from the vertical zero line to the theoretical intersection of extended windshield glass plane and normal cowl surface.

Height Dimensions

- H101 OVERALL HEIGHT — DESIGN. Measured with the vehicle in Manufacturer's Design Weight attitude.
- H114 COWL POINT TO GROUND. Measured at vehicle centerline.
- H138 DECK POINT TO GROUND. Measured at vehicle centerline.

- H112 ROCKER PANEL TO GROUND — FRONT. The vertical dimension from ground to bottom of rocker panel, excluding flanges. Measured to the outside of sheet metal at foremost point of rocker panel.
- H133 BOTTOM OF DOOR TO GROUND, CLOSED — FRONT is the same point on the door as H132 dimension, with door closed.
- H111 ROCKER PANEL TO GROUND — REAR. The vertical dimension from ground to bottom of rocker panel, excluding flanges. Measured to the outside of sheet metal at front of rear wheel opening.
- H135 BOTTOM OF DOOR TO GROUND, CLOSED — REAR is measured in same manner as H133.
- H122 WINDSHIELD SLOPE ANGLE. The angle between a vertical line and the windshield surface at car centerline. On compound-curved windshields the chord of the arc is used and limited to that section of the windshield comprehended by an 18-inch chord.
- H125 HEADLAMP CENTERLINE TO GROUND is measured vertically to the center of the upper lamp.
- H126 TAILLAMP CENTERLINE is measured vertically from ground to the centerline of the upper bulb.

Ground Clearance Dimensions

- H102 BUMPER TO GROUND — FRONT. Minimum dimension, includes bumper guards.
- H104 BUMPER TO GROUND — REAR. Minimum dimension, includes bumper guards.
- H106 ANGLE OF APPROACH. The angle between ground and a line tangent to the front tire static loaded radius arc and the first point of interference, i.e., bumper, guard, gravel deflector, fender or other component, excluding license plate. This dimension may be determined graphically for reporting purposes.
- H107 ANGLE OF DEPARTURE. The angle between ground and a line tangent to the rear tire static loaded radius arc and the first point of interference, i.e., bumper, guard, gravel deflector, tail pipe, fender or other component, excluding license plate. This dimension may be determined graphically for reporting purposes.
- H147 RAMP BREAKOVER ANGLE. The supplement of included ramp angle (180° minus included ramp angle) over which car can pass without interference; measured with car sitting on a level surface, using lines tangent to arcs of front and rear static loaded radii and intersecting at point on underside of car which defines the smallest angle.
- H153 REAR AXLE DIFFERENTIAL SYSTEM TO GROUND is a minimum clearance.
- H156 MINIMUM RUNNING GROUND CLEARANCE. Location of measurement on the car is to be clearly recorded.

MVMA Specifications Form Passenger Car

Interior Car And Body Dimensions — Key Sheet Dimension Definitions

Front Compartment Dimensions

- L31 H POINT TO VERTICAL ZERO LINE — FRONT is a horizontal dimension.
- H61 EFFECTIVE HEAD ROOM — FRONT. The dimension from H Point to the headlining, plus a constant of 4.0 inches, measured along a line 8° to rear of vertical.
- H75 EFFECTIVE T POINT HEADROOM — FRONT. The arc dimension from the T Point to the headlining plus 30 inches.
- L34 MAXIMUM EFFECTIVE LEG ROOM — ACCELERATOR. Measured along a diagonal line from the Manikin ankle pivot center to the H Point plus a constant of 10.0 inches. For treadle type accelerator pedals, the leg room is measured with the Manikin's right foot on the accelerator pedal and the Manikin Heel Point at Accelerator Heel Point. All other types of accelerator pedals will be measured with the Manikin foot angle set at 87° and the shoe touching the pedal.
- H30 H POINT TO HEEL POINT — FRONT. The vertical dimension from the H Point to the Accelerator Heel Point.
- L17 H POINT TRAVEL. The horizontal dimension between the H Point in the most forward and rearward seat positions.
- W3 SHOULDER ROOM—FRONT. The minimum dimension measured laterally between the trimmed surfaces on the "X" plane through the H-point—front within the belt line to 10 inches above the H-point—front.
- W5 HIP ROOM—FRONT. The minimum dimension measured laterally between the trimmed surfaces on the "X" plane through the H-point—front within 1.0 inches below and 3.0 inches above the H-point height and 3.0 inches fore and aft of the H-point.
- H50 UPPER BODY OPENING TO GROUND — FRONT. The vertical dimension from a point on the trimmed body opening to the ground, measured at the H Point station.
- H18 STEERING WHEEL ANGLE — VERTICAL. The angle measured from a vertical to the surface plane of the steering wheel.
- L40 BACK ANGLE — FRONT. The angle measured between a vertical line through the H-Point-Front and the torso line.

Rear Compartment Dimensions

- L50 H POINT COUPLE DISTANCE. The horizontal dimension from the front seat H Point to the rear seat H Point.
- H63 EFFECTIVE HEAD ROOM — REAR. The dimension from the H Point to the headlining, plus a constant of 4.0 inches, measured along a line 8° to rear of vertical.
- H76 EFFECTIVE T POINT HEADROOM — REAR. Measured in the same manner as H75.
- L51 MINIMUM EFFECTIVE LEG ROOM — REAR. Measured along a diagonal line from the ankle pivot center to the H

Point plus a constant of 10.0 inches, with the foot positioned to the nearest interference between the seat structure and toe, instep or lower leg.

- H31 H POINT TO HEEL POINT — REAR. The vertical dimension from the H Point to the Manikin Heel Point on the depressed floor covering.
- L48 KNEE CLEARANCE. The minimum dimension measured from the knee pivot center to the back of front seatback minus 2.0 inches.
- L3 REAR COMPARTMENT ROOM. The horizontal dimension from the back of front seat to front of rear seat back at height tangent to the top of rear seat cushion.
- W4 SHOULDER ROOM—SECOND. The minimum dimension measured laterally between trimmed surfaces on the "X" plane through the H-point—second within 10.0-16.0 inches above the H-point—second.
- W6 HIP ROOM—SECOND. Measured in the same manner as W5.
- H51 UPPER BODY OPENING TO GROUND — REAR. The vertical dimension from a point on the trimmed body opening to the ground, measured 13.0 inches forward of the H Point.

Luggage Compartment Dimensions

- V1 LUGGAGE CAPACITY — USABLE. The total luggage compartment luggage capacity in cubic feet with the tire and tools in place.
- H195 LIFTOVER HEIGHT. Vertical dimension from the highest point on the luggage compartment lower opening to ground, excluding corner radii.

Station Wagon — Third Seat Dimensions

- W85 SHOULDER ROOM—THIRD. Measured in the same manner as W4.
- W86 HIP ROOM—THIRD. Measured in the same manner as W5.
- L86 EFFECTIVE LEG ROOM — THIRD SEAT. Measured along a diagonal line from ankle pivot center to H Point plus a constant of 10.0 inches. With rear-facing third seat, foot is positioned in foot well or to nearest interference with rear end or rear closure.
- H86 EFFECTIVE HEAD ROOM — THIRD SEAT. The dimension from H Point to the headlining, plus a constant of 4.0 inches. Measured along a line 8° to rear of vertical.
- H89 EFFECTIVE T POINT HEADROOM — THIRD SEAT. Measured in the same manner as H75.

GENERAL

MODEL IDENTIFICATION	2
SERIAL NUMBERS AND IDENTIFICATION	3
EXTERIOR EQUIPMENT	4
INTERIOR EQUIPMENT	5-6
EXTRA COST EQUIPMENT	7
AIR CONDITIONING EQUIPMENT	8

MODEL IDENTIFICATION

BODY	SERIES NAME	BODY STYLE	MODEL DESIGNATION	PASS OR SEATS
Y-CAR	CORVETTE	2-Dr. Sport Coupe	1YZ37	2

SERIAL NUMBERS AND IDENTIFICATION

ONLY BASIC DESIGNATIONS SHOWN

VEHICLE IDENTIFICATION NUMBER

Vehicle Designation Interpretation

1	Z	87	L	8	S	400001
						Sequential Number
					Assembly Plant (*)	
					Model Year 1978	
					Engine Type (**)	
					Body Style (last two digits of model Number)	
					Car line and Series (***)	
Make ("1" for Chevrolet)						

- *S - St. Louis-Chevrolet
- **L - V8-350 (185 H.P.)
- X - V8-350 (220 H.P.)
- ***Z - Corvette

EXAMPLE: The twenty-fifth Chevrolet vehicle built at Chevrolet-St. Louis if it were a 1YZ37 model (Coupe) with a V8-350 (185 H.P.) engine would bear VIN Number 1Z87L8S400025.

Location Stamped on plate attached to left hand windshield pillar.

TRANSMISSION IDENTIFICATION

Example: R8E01

Type	Source	Model Year	Production ^o
Designation	Designation	1978	Month & Date
S6	R (Muncie)	8	E01D*

S6 4-Speed	V-8 engine	R - Muncie	
5TL 3-Speed Auto.	V-8 engine	Y - Toledo	

Location:
 4-Speed Stamped on the right side of the case at adapter.
 3-Speed Automatic Nameplate on right side transmission, above filler plug.

^oMonth: E denotes May; 01 denotes 1st day.

-Alpha Characters used in identifying the Calendar Month

- | | | | |
|--------------|-----------|---------------|--------------|
| A - January | D - April | K - July | R - October |
| B - February | E - May | M - August | S - November |
| C - March | H - June | P - September | T - December |

*-The letter "D" or "N" following the date numerals indicates day or night shift, on automatic only.

ENGINE IDENTIFICATION

Example: F1210CHW

Source	Production*	Type
Designation	Month & Date	Designation
F (Flint)	1210	CHW

350 Cubic Inch 8-Cylinder

- CHW - Regular engine, 4-speed.
- CLM - Regular engine, 3-speed automatic.

350 Cubic Inch 8-Cylinder (RPO L82)

- CMR - Optional engine, 4-speed.
- CMS - Optional engine, 3-speed automatic.

Location:

8-Cylinder engine Stamped on top front of RH bank of cylinder and case.

*-Month: December, 12; 10th day of December, 10.

REAR AXLE IDENTIFICATION

- OK - 3.08 Axle
- OM - 3.36 Axle
- OH - 3.55 Axle
- OJ - 3.70 Axle

Location, Identification Number
 Bottom edge of differential carrier flange.

See Power Train Section for additional information.

EXTERIOR EQUIPMENT

STANDARD EXTERIOR EQUIPMENT

FRONT

Radiator Grille – Black Injection Molded Plastic
Parking Lamps – Clear Lens, Amber Belts
License Plate Ornament, Black, Bright “Corvette” Letters (RPO BY8) –
For states not using front license plate
Retractable Headlamps, Painted Bezels
Front Crossed Flags Emblem with 25th Anniversary Design
Windshield Reveal Moldings, Painted Black
Concealed Windshield Wipers with Integral Washers in Wiper Arms
Body Color Front Bumper Cover and Black Painted Simulated Bumper
Guards (same as rear)

SIDE

Black Rocker Panel Molding with Bright Upper Rib
Front Fender and Rear Quarter Marker Lamps
Front Fender Air Slot, Painted
Front Fender Crossed Flags Emblem
Mirror Outside Rear View LH
Wheel Trim Ring and Hub Cap, Bright
Roof Drip Molding – Bright
Removable Roof Panels
Press-Flap Door Opening Handles – Bright
Key Locks – Bright (LH Controls Theft Alarm)
Door Belt, Bead Molding – Bright
“L82” Hood Emblem (RPO L82 only)

REAR

Rear Bumper Cover “Corvette” Nameplate
Tail Lamps Single Outboard
Back-Up Lamps, Single Inboard (Includes Red Reflex)
Rear Bumper Cover License Plate Compartment
Body Color Urethane Rear Bumper Cover with Black Painted Simulated
Bumper Guards
Crossed Flags Emblem with 25th Anniversary Design on Fuel Filler Door

STANDARD INTERIOR EQUIPMENT

ROOF AND PILLARS

Molded Headlining, Padded with Sun Visor Pockets
 Windshield Garnish Moldings, Plastic, Interior Color-Keyed
 Sunshades, Padded with Brushed Hardware and Swivel Feature
 10" Rear View Mirror, Padded, Black Back with Black Finish Support,
 Windshield Mounted
 Roof Center Strut, Padded with Bright Hardware
 Top Header Release Latches, Bright
 Fixed Rear Window, Painted Frame
 Door Operated Center Dome Courtesy Light
 Coat Hook, RH Side

SEATS AND FLOOR COVERING

Bucket Seats – with Integral Head Restraints
 Passenger and Stowage Compartment Floor Carpet with Sound Blanket, (Interior
 Color-Keyed)
 Seat Back Latch Bright
 Seat Adjuster Lever Knobs – Interior Color-Keyed
 Color-Keyed 3-Point Seat Belts, Non Detachable Shoulder Belts, Locking Retractors
 Floor Stowage Compartment – 3-Doors, Carpeted with Push Buttons and Painted
 Trim Rings
 Floor Stowage Compartment Door Trim Rings and Push Buttons – Painted – Bright
 Body Sill Plates – Bright
 Roof Panel Stowage Vinyl Bag and Tie-Down Straps, Color-Keyed

DOOR AND QUARTER PANEL

Door Padded Armrest with Assist Grip – Grained Vinyl with Stitching
 Door Remote Control Handle – Chrome and Painted
 Door Locking Knobs and Escutcheons – Chrome and Painted
 Door Trim Panel Carpeted, Scuff Area with Map Pocket
 Door Locking Knob (Integral with Armrest) – Bright
 Window Control Handle – Bright with Black Plastic Knob
 Kick Pad Carpeted – Interior Color-Keyed

INTERIOR EQUIPMENT

INSTRUMENT PANEL, CONSOLE AND STEERING WHEEL

Light and headlamp rotation switch.
Windshield wiper and washer switch.
140 mph – 220 km/h speedometer, odometer and trip odometer (miles) mph dominant.
Brake warning indicator – “Brake”, red in back window.
Hi-beam indicator, blue in back window.
Turn signal indicator, green in back window.
7000 rpm tachometer.
Seat belt warning indicator – “Fasten Belts” red in back window.
Water temperature gauge. Thermometer I.S.O. symbol.
Air conditioning outlets RPO C60.
Fuel gauge “Unleaded Fuel Only”. Note, gas pump I.S.O. symbol.
Low fuel (RPO U41) and generator warning indicators – “LOW FUEL” (upper window)
“GEN” (lower window). Low fuel indicator activated when fuel drops below
approximately 4 gallons.
Outlets, flow-thru ventilation, or Air Conditioning RPO C60 (LH and RH) black
with bright treatment
Voltmeter, battery I.S.O. symbol.
Heater or air conditioning control – slide lever design.
4-Speed transmission shift pattern or automatic transmission selector.
Coin receptacle.
Cigar lighter and ash tray.
Oil pressure gauge, oil can I.S.O. symbol.
Clock with sweep second hand.
Trip odometer reset knob (thru lens) – black.
Glove compartment door lock – chrome. Automatic light in glove compartment.
Control knob for cowl vent door (LH and RH) – trim center.
Button for regulating side outlet flow (LH and RH) – black.
Headlamp rotation switch (independent operation) – black.
Hood release – black handle with white “hood release”.
Instrument panel pad – trim color.
Floor center console and trim plate – low gloss black finish.
Stalk on steering column controls turn signals and headlight high-low beam.
Also includes cruise control switch (RPO) when ordered.
Parking brake lever – bright with black handgrip, on tunnel between seats.
Steering wheel, color-keyed 4-spoke vinyl with cross flags emblem.
Black hazard warning switch button on steering column.
Steering column ignition switch and lock – 5 position. Chrome. On steering column.
Key release lever on steering column.

GLASS (TINTED)

Windshield laminated safety plate.
Door windows, safety solid plate.
Fixed rear windows, safety solid plate.

EXTRA COST EQUIPMENT

EQUIPMENT	RPO	ACC
POWER TEAMS		
Turbo-Fire 350 V8 Special Performance	L82	
4-Speed manual transmission – close ratio	M21	
3-Speed automatic transmission	M38	
Rear Axle: Economy ratios	G95	
POWER ASSISTS		
Power windows	A31	
Power door locks	AU3	
OTHER OPTIONS		
Air conditioning, all weather (See page 8 for content)	C60	
Antenna, power	U75	
Battery heavy duty, ("Freedom" sealed battery, 4000 watts)	UA1	
Compass		ACC
Convenience package, consists of:	ZX2	
Lamps – delayed dome and courtesy (C94)		
Mirror – visor vanity (D34)		
Warning – headlamp on (T63)		
Lamp – Engine compartment (U26)		
Indicator – low fuel (U41)		
Floor mats (B32)		
Intermittent windshield wipers (CD4) – Interim		
Defogger, rear window Electro-Clear	C49	
Emission control, high altitude	NA6	
Floor mats, black rubber		ACC
Mirror, right hand		ACC
Mirrors, dual sport	D35	
Paint Anniversary	B2Z	
Radio equipment: Radios, pushbutton – includes rear deck antenna		
Radio AM/FM stereo CB radio	UP6	
Radio, AM/FM (Includes fixed height rear antenna and 2-speakers)	U69	
Radio, AM/FM stereophonic (Includes fixed height rear antenna and 2-speakers)	U58	
Radio stereophonic AM/FM with tape player	UM2	
Dual rear auxiliary speakers	U81	
Speed and cruise control	K30	
Spotlight, hand portable		ACC
Sport steering wheel, tilt and telescopic	N37	
Suspension, Gymkhana – front and rear, consists of:	FE7	
Front stabilizer bar 1.12 dia		
Front stabilizer bar bushings 1.06 dia		
Front spring rate 550 lb/in		
Rear stabilizer bar 0.44 dia		
Rear stabilizer bar bushings 0.33 dia		
Rear spring rate 304 lb/in		
(7 leaf with spacer)		
Front and rear shock absorbers specific valving		
Trailer package, consists of:	ZN1	
V01 heavy duty radiator, standard engine with M38 transmission, and FE7 and FE7 Gymkhana suspension.		
Wheels, cast aluminum	YJ8	
FACTORY INSTALLED REGULAR PRODUCTION TIRES		
P225/70R15 – HWY. – Radial – White Lettered Steel Belt	QRZ	
P255/60R15 – HWY. – Radial – White Lettered Fabric Belt	QBS	

AIR CONDITIONING

FOUR-SEASON (RPO C60)

Heater integrated; manually controlled by two sliding lever controls on instrument panel, plus a 4-speed fan switch. Left lever uses vacuum supply and electrical switches to operate mode doors and compressor. Right lever uses bowden cable to temperature door in selector duct assembly.

BASIC COMPONENTS

Evaporator, blower, condenser, receiver - dehydrator, refrigerant (freon) tank, air intake assembly and duct assembly for both systems.

EQUIPMENT (Used in addition to or in place of base equipment)

CHASSIS

Front and Rear Springs Heavy duty
Rear Axle Ratio - Refer to Power Trains Section

POWER TRAINS

Fan Blade 7 blade
Crankshaft Pulley Single, two grooves
Water Pump & Fan Pulley Single, three grooves
Compressor & Crankshaft Belt One
Generator 61 Ampere

DIMENSIONS AND WEIGHTS

INTERIOR DIMENSIONS	2
EXTERIOR DIMENSIONS	3, 4
VEHICLE WEIGHTS	5
OPTIONAL EQUIPMENT WEIGHTS	5

INTERIOR DIMENSIONS

FRONT COMPARTMENT

CODE	DESCRIPTION	1YZ37 COUPE
H30	H point to heel point	6.4
H37	Headlining to roof height	.64
H58	H point rise	1.0
H61	Effective headroom	36.2
H67	Depressed floor covering thickness	.79
H70	Body zero line to H point (vert.)	7.0
L17	H point travel	4.5
L31	Body zero line to H point (horiz.)	44.7
L34	Maximum effective leg room - accelerator	42.1
L40	Back angle (degrees)	33 ^o
L42	Hip angle (degrees)	99 ^o
L44	Knee angle (degrees)	126.0 ^o
L46	Foot angle (degrees)	88.0 ^o
L53	H point to accelerator floor point	34.9

SEAT AND ENTRANCE

H3	Seat chair height	8.7
H11	Entrance height	29.0
H26	Interior body height, M/M @ car centerline	32.3
H27	Interior body, M/M @ C/LO	38.4
H32	Seat cushion deflection	2.3
H50	Upper body opening to ground	44.5
W3	Shoulder room	47.5
W5	Hip room	49.9
W16	Seat width (each seat)	20.0
L14	Seat back thickness	3.6
L18	Entrance foot clearance	13.2

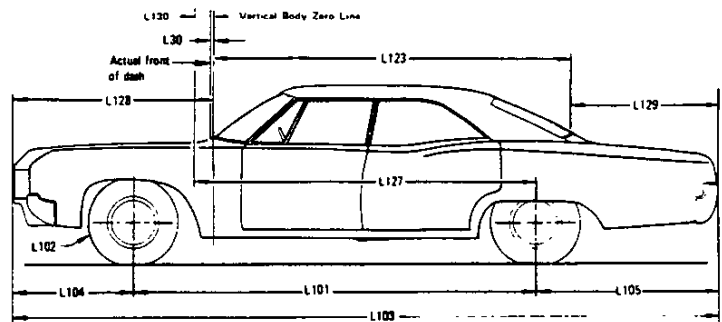
VISION AND CONTROL

H6	H point to W/S bottom DLO	20.6
H13	Steering wheel thigh clearance	1.9
H18	Steering column angle (degrees) horizontal	15 ^o
H25	Belt height	17.3
H49	H point to top of steering wheel	1.6
W7	Steering wheel center to car centerline	12.8
W9	Steering wheel maximum O.D.	14.25 x 14.75 oval
W122	Tumble-home (degrees)	7.4
L7	Steering wheel torso clearance	15.8
L13	Brake pedal knee clearance	23.3
L52	Brake pedal to accelerator	3.4

LUGGAGE COMPARTMENT

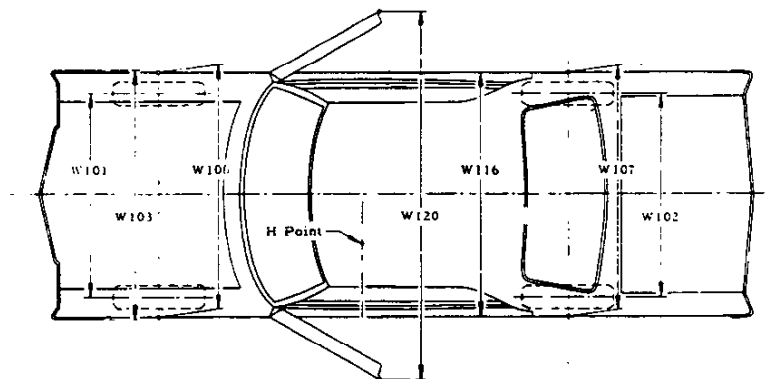
V1	Luggage Capacity - Usable (Cu.Ft.)	8.4
----	------------------------------------	-----

EXTERIOR DIMENSIONS



LENGTHS

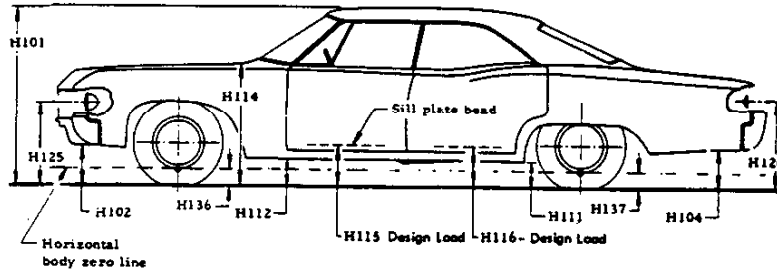
CODE	DESCRIPTION	1YZ37 COUPE
L101	Wheelbase	98.0
L102	Tire size (standard)	GR70-15
L103	Overall length	185.2
L104	Overhang - front	42.4
L105	Overhang - rear	44.8
-	Overall length - less bumpers	173.7
L123	Body upper structure length at car center line	52.9
L127	Body O line to C/L of rear wheels	72.0
L128	Body O line to C/L of front wheels	26.0
L129	Rear end length at center line	47.8
L125	Body zero plane to windshield cowl point	16.1
L30	Body O line to actual front of dash	1.7



WIDTHS

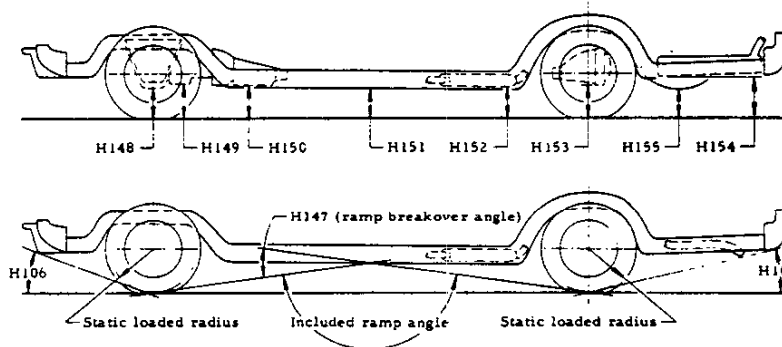
W101	Tread - front	58.7
W102	Tread - rear	59.5
W103	Maximum overall width of car	69.0
W106	Front fender overall width	69.0
W107	Rear fender overall width	68.8
W116	Maximum overall width of body	69.2
W120	Overall car width, front doors open	136.5

EXTERIOR DIMENSIONS



HEIGHTS

CODE	DESCRIPTION	1Y237 COUPE
H101	Overall height (design)	48.0
H102	Front bumper to ground	10.8
H104	Rear bumper to ground	11.8
H111	Rocker panel to ground - rear	7.6
H112	Rocker panel to ground - front	8.0
H114	Hood at rear to ground	36.4
H115	Step height - front (design)	13.0
H116	Step height - rear (design)	--
H125	Headlamp to ground	25.9
H126	Tail lamp to ground	25.4
H136	Body O line to ground - front	8.1
H137	Body O line to ground - rear	7.5



CLEARANCES

H106	Angle of approach (degrees)	16°24'
H107	Angle of departure (degrees)	16°49'
H147	Ramp breakover angle (degrees)	12°7'
H148	Front suspension to ground	6.6
H149	Oil pan to ground	5.5
H150	Flywheel housing to ground	5.8
H151	Frame to ground	5.4
H152	Exhaust system to ground	5.5
H153	Rear axle to ground	5.7
H154	Fuel tank to ground	16.4
H155	Tire well to ground	4.5
H156	Minimum ground clearance	4.3 (a)

(a) Catalytic converter.

CORVETTE

MODEL DESIGNATION	BASE ENGINE	VEHICLE TYPE Description	SHIPPING WEIGHT			CURB WEIGHT		
			Front	Rear	Total	Front	Rear	Total
1YZ37	350 Cu.In. V8 (L48)	2-Door Sport Coupe	1717	1727	3444	1689	1883	3572

SHIPPING WEIGHT: Weight of basic vehicle with regular equipment, including grease, oil, engine coolant to capacity and (3) gallons of gasoline.

CURB WEIGHT: Shipping weight plus gasoline to capacity.

For total shipping, and curb weights of vehicles equipped with the following options, add to, or deduct from, the base vehicle weight (lbs.)

RPO	OPTION	WITH	WEIGHT
A31	Power Windows		+ 8
B32	Floor Mats		+ 4
C49	Defogger, Rear Window		+ 1
C60	Air Conditioning	With L48 Engine	+ 63
		With L82 Engine	+ 67
FE7	Suspension—Gymkhana	All Engines	+ 7
K30	Speed & Cruise Control	With M38 and N37	+ 6
N37	Tilt, Steering Wheel		+ 2
UA1	Battery, Heavy Duty		+ 5
UM2	Radio Stereophonic AM/FM	With Tape Player	+ 15
UP6	Radio AM/FM Stereo CB with Power Antenna		+ 18
U58	Radio AM/FM Stereophonic		+ 13
U69	Radio AM/FM Pushbutton		+ 13
U75	Antenna, Power		+ 4
U81	Speaker — Auxiliary (Dual RR)		+ 8
Base	350 Cu. In. V8 Engine	3-Speed Automatic	+ 34
L82	350 Cu. In. V8 Engine	3-Speed Automatic	+ 66



BODY

EXTERIOR PAINT PROCESS	2
EXTERIOR-INTERIOR COLORS	3
BODY CONSTRUCTION AND GLASS AREA	4

EXTERIOR PAINT PROCESS

EXTERIOR PAINT PROCESSING PROCEDURES

PUTTY RUB AND SPRAY BODY PRIMER

Operation No.

1. Dry sand all plastic surfaces of body, exterior and interior to be finish painted except interior of top compartment, engine compartment and underside of front and rear fenders.
2. Vacuum all body surfaces, exterior and interior.
3. Solvent clean all surfaces with thinner applied with clean cloth.
4. Wipe on red rubbing putty on all exterior surfaces with substantial pressure to work putty into pits of the fiberglass.
5. Vacuum all surfaces to remove excess putty.
6. Spray primer-surfaces on all exterior surfaces, underside of front and rear fenders, engine compartment and top compartment.
7. Bake 45 minutes at 275°F.
8. Putty glaze where necessary with gray putty.
9. Water sand all exterior and interior surfaces except interior of top compartment and engine compartment.
10. Blow-off body surfaces to remove excessive moisture.
11. Putty glaze where necessary with gray putty.

ACRYLIC LACQUER PAINTING

Operation No.

1. Spray all exterior and interior surfaces with sealer.
2. Air dry 1 minute.
3. Spray Acrylic Lacquer over the exterior surfaces of the body, inside edges of the hood, inner compartment lid, engine compartment drain gutters, lock and hinge pillar facings, doors and headlamp openings.
4. Flash 3 minutes minimum.
5. Bake 30 minutes at 180°F.
6. Cool body to room temperature and repair cracks or defects with resin mixture patch.
7. Wet sand body where necessary and repair defects using water for lubricant and gray putty for filing.
8. Vacuum body.
9. Spray dark gray repair primer-surfaces on body top coat areas sanded through to the primer or bare plastic.
10. Repeat operation No. 3.
11. Flash 3 minutes minimum.
12. Repeat operation No. 3.
13. Flash 3 minutes minimum.
14. Bake 30 minutes at 180°F.
15. Cool body to room temperature.
16. Mask off and spray areas outlined in Corvette Paint Instruction Drawing No. 334789.
17. Bake 30 minutes at 180°F.
18. Cool body to room temperature.
19. Using an extension gun, insert to maximum length through door access holes, spray right and left sides of door inners with aluminum preservative coating.
20. Machine sand with paper using mineral spirits liberally applied as the lubricant.
21. Machine polish body to a high lustre.

EXTERIOR-INTERIOR COLORS

1978 CORVETTE INTERIOR/EXTERIOR COLOR COMBINATIONS

EXTERIOR COLOR		INTERIOR TRIM													
		Black		Medium Red		Mahogany		Doeskin		Midnight Blue		Dark Brown		Oyster White	
		Cloth/ Leather	Leather	Cloth/ Leather	Leather	Cloth/ Leather	Leather	Cloth/ Leather	Leather	Cloth/ Leather	Leather	Cloth/ Leather	Leather	Cloth/ Leather	Leather
Color	Code	19C	192L	72C	722L	76C	762L	59C	592L	29C	292L	69C	692L	12C	122L
White	10	R	R	R	R	R	R	R	R	R	R	R	R	R	R
Silver Metallic	13	R	R	R	R	R	R			R	R			R	R
Black	19	R	R	R	R	R	R	R	R					R	R
Frost Blue	26	A	A							R	R				
Yellow	52	R	R									A	A	R	R
Frost Beige	59	R	R	A	A	R	R	R	R	A	A	R	R		
Red	72	R	R	R	R			R	R					R	R
Mahogany Metallic	82	R	R			R	R	R	R					R	R
Dark Blue Metallic	83	A	A	A	A			R	R	R	R			R	R
Hilton Brown Metallic	89	A	A					R	R			R	R	R	R

BODY CONSTRUCTION AND GLASS AREA

GENERAL

Construction Uniconstruction: fiber glass reinforced plastic body backboned by a steel cage outlining the passenger compartment. Principal members - steel front and plastic rear - underbody, front and rear end assemblies, dash panel and hinge pillars are bonded, riveted, or bolted together and to each other. Hood is plastic with bonded plastic reinforcement. Two removable roof panels.

DOORS AND LOCKS

Construction Plastic, double paneled, reinforced with steel at hinge and lock locations. Front hinged.

Door handles Press-flap handles with fork-type latches. Inside door locking knob on each door, free-wheeling 2-position inside door handles.

HOOD

Operation Internal release lever. Front hinged with telescoping link on right side. Ratchet-type lock for hold open.

VENTILATION

Type Cowl top air inlets channel air to cowl side kick panel outlets controlled by bowden cable and side type levers mounted in instrument panel center console. Water drainage at base of "saddlebag" plenum chambers.

GRILLE Black plastic

SEAT CONSTRUCTION

Type and construction Bucket with integral head restraints with leather or leather and cloth cover over polyurethane padding.

WINDSHIELD WIPERS AND WASHERS

Type Concealed, dual, two-speed, electric Integral washers provided in wiper arms.

HEADLIGHTS

Type Dual, retractable. Headlamp door retraction system vacuum operated.

SPARE TIRE

Location In well under fuel tank; accessible from underside of car. Cover with key lock provided.

TOOLS

Type Scissors jack, and combination jack handle and lug wrench.
Stowage In well in luggage area directly behind passenger seat; carpeted door over well.

BODY GLASS VISIBILITY AREA

	MODELS 1Y237
Windshield	793.5
Door Window	800.8
Back Window	1425.3
Total area (sq. in.)	3019.6

Windshield - Laminated safety plate (tinted)
Doors and Rear Window - solid safety plate (tinted).

CHASSIS

FRAME AND FRONT SUSPENSION	2
STEERING, DRIVELINE, WHEELS AND TIRES	3
REAR AXLE AND SUSPENSION	4
BRAKES	5
BULBS AND LAMPS	6
FUSES AND CIRCUIT BREAKERS	7

FRAME AND FRONT SUSPENSION

FRAME

Description All welded, full length, ladder constructed frame with (5) cross-members. Side rails and intermediate cross-members box section; front crossmember box girder section. Eight body mounting points.

FRONT SUSPENSION

Description Independent, SLA type, coil springs with center mounted shock absorbers, spherical joint steering knuckle pivots.

Wheel travel (design)
 Total 7.70
 Jounce 4.76
 Rebound 2.94
 Wheel to spring, travel ratio 1.92:1

CONTROL ARMS

Description Reinforced steel stamping with pre-loaded steel encased rubber bushings at pivot.

GENERAL SUSPENSION PROVISIONS

Car leveling Front stabilizer bar
 Anti-drive control Angle of front upper control arm

STEERING KNUCKLES

Description Forged steel, with integral brake caliper mounting pads and detachable steering knuckle arm

Spindle diameters
 Inner bearing 1.3743-1.3748
 Outer bearing 0.8428-0.8433
 Spindle thread size 27/32-20 NEF-3 (modified)
 Wheel bearings
 Type Taper roller

SPHERICAL JOINTS

Type Ball stud
 Upper and Lower Compression
 Bearing surfaces
 Upper and Lower Teflon-coated phenolic

SHOCK ABSORBERS

Type Direct, double-acting, hydraulic
 Piston diameter 1.00

STABILIZER BAR

Type Link
 Material HR steel
 Diameter 0.875
 Bushing material Rubber

FRONT WHEEL ALIGNMENT (CURB)

Camber (degrees) $P0.709 \pm 1/2$
 Caster (degrees) $P2.405 \pm 1/2$
 Toe-in (total) $0 \pm 1/32$
 Steering Axis Inclination (degrees) $7.683 @ 5^{\circ}$ camber

FRONT SPRINGS

Part Number	Assy. Code	Cut-Off Length	Wire Dia.	Total Coils	Deflection Rate (Lbs./In.)	HEIGHTS	
						Free	Working (In. @ Lbs.)
340519	AA	104.16	.680	7.25	550	13.14	10.27 @ 1550
346938	AD	121.14	.594	8.00	295	15.14	10.49 @ 1355
346939	AH	133.83	.609	9.00	295	15.45	10.49 @ 1445
346940	AJ	134.31	.624	9.00	320	15.33	10.49 @ 1530
346941	AK	134.61	.638	9.00	345	15.23	10.49 @ 1624
346942	AN	134.99	.652	9.00	370	15.14	10.49 @ 1700
346943	AY	135.40	.664	9.00	370	15.38	10.49 @ 1790
346944	AZ	149.75	.676	9.00	370	15.63	10.49 @ 1880
354131	AHY	104.19	.680	7.25	550	13.34	10.27 @ 1660
362150	ANY	104.22	.680	7.25	550	13.54	10.27 @ 1770
362151	ANZ	104.25	.680	7.25	550	13.74	10.27 @ 1880

STEERING, DRIVELINE, WHEELS AND TIRES

STEERING

Wheel

Type 4 spoke with center horn button
 Diameter 14.75 x 14.25
 Column Energy absorbing
 Gear - Type Integral, recirculating ball nut with hydraulic pressure provided from a vane type pump

Ratios 16.1:1
 Overall Ratios 17.6:1
 Number of wheel turns, lock to lock 2.92
 Linkage Parallelogram, rear of wheels, two tie rods

Turning Diameters

Outside front, wall to wall 38.6
 Outside front, curb to curb 37.0
 Inside rear, wall to wall 11.4
 Inside rear, curb to curb 10.5
 Outside wheel angle with inside wheel
 @ 15 degrees 13.96
 @ 20 degrees 18.04
 @ 33.9° (limit of turn) 27.01

DRIVELINE

Type Tubular propeller shaft
 Number used One
 Diameter (OD) 2.50
 Length (C/L of U-joints)
 Manual 29.50
 3-Speed Automatic
 RPO L48 29.81
 RPO L82 29.50
 Wall thickness 0.083
 Universal joints
 Type Cross
 Number used Two
 Bearings Prepack, anti-friction
 Torque forces Through differential to frame members

WHEELS

Type Short spoke spider
 Attachment to hub 5 hex nuts, 7/16-20 UNF 2-B, arranged on a 4.75 diameter bolt circle
 Offset N-0.50
 Rim size 15 x 8.00
 Spare 15 x 5.0

TIRES, STANDARD EQUIPMENT

Construction Steel belted radial
 Sidewall
 Base Blackwall
 Optional White letter
 Size and ply rating P225/70R15
 Specifications
 Static Loaded Radius 12.23
 Loaded rev/mi @ 45 MPH 760
 Capacity @ 24 psi 1380

TIRES, OPTIONAL

Construction Fabric belted radial
 Size P255/60R15
 Sidewall White letter
 Specifications
 Static loaded radius 11.97
 Loaded rev/mi @ 45 mph 479
 Capacity @ 24 psi 14.33

SPARE TIRE

Construction Fabric bias ply
 Size P195/80D15
 Sidewall Blackwall, marked "Temporary"

REAR AXLE AND SUSPENSION

REAR AXLE - POSITRACTION

Description	Fixed differential housing hypoid ring and pinion gear set, tubular articulating inner axle shafts and short solid outer shafts with integral drive flange, independently sprung rear wheels.
Pinion offset	1.5
Pinion bearing adjustment	Shim
Hypoid gear PD	8.375
Lubricant	
Type	GL-5 Gear lubricant
Viscosity	80W-90
Capacity (pts)	3.75

RING AND PINION GEARS & TOOTH COMBINATIONS

3.08	40,13
3.36	37,11
3.55	32,9
3.70	37,10

AXLE SHAFTS

Inner	Welded steel tubing with universal joint attachments to short shafts at each end.
Outer	Short, splined high-alloy steel with integral wheel mounting flange
Axle bearings	Inner and outer tapered roller, steel encased rubber bearing seals

STABILIZER BAR (optional)

Diameter	0.440
----------	-------

SHOCK ABSORBERS

Type	Direct, double-acting, hydraulic
Piston diameter	1.00

REAR SUSPENSION

Description	Full independent with frame-anchored differential. Position of each wheel established by 3 links; tubular axle drive shafts, transverse strut rods, torque control arms. Vertical suspension loads taken by transverse leaf spring. Built-in camber adjustment at strut rod inner ends.
-------------	---

Wheel travel (design height)	
Total	6.50
Jounce	3.70
Rebound	2.80

REAR WHEEL ALIGNMENT

Curb	
Camber (degrees)	$N7/8^0 \pm 1/4$
Toe-in (total)	$0 \pm 1/32$

REAR SPRING

Type	Variable rate, 10-leaf
Material	Chrome carbon steel, heat treated
Length (developed) between eye centers	48.60
Width	2.50
Design load, lb @ camber	1420 @ .21
Spring liners	
Number	9
Location	Between all leaves
Material	Polyethylene with graphite

BRAKES

General	Type	Disc Front and Rear, Power Assist Std.		
	System	4-wheel caliper disc brake dual hydraulic system with pressure differential and warning light		
Front Brakes	Type	Double faced disc spaced by integrally cast radial cooling passages		
	Material	Cast iron		
	Diameter and Width	11.75 x 1.25		
	Lining material	Molded asbestos		
	Method of attachment	Riveted		
	Lining size (length x width x thickness)	Inboard	5.40 x 1.93 x 0.41	
		Outboard	5.40 x 1.93 x 0.41	
	Lining area (sq. in.)	43.15		
	Effective area (sq. in.)	37.46		
	Swept area (sq. in.)	249.14		
Piston diameter	1.875			
Rear Brakes	Type	Same as front brakes		
	Material	Cast iron		
	Diameter and Width	11.75 x 1.25		
	Lining material	Molded asbestos		
	Method of attachment	Riveted		
	Lining size (length x width x thickness)	Inboard	5.40 x 1.93 x 0.41	
		Outboard	5.40 x 1.93 x 0.41	
	Lining area (sq. in.)	43.15		
	Effective area (sq. in.)	37.46		
	Swept area (sq. in.)	249.14		
Piston diameter	1.375			
Master cylinder diameter	1.125			
Apply System	Piston travel	1.139		
	Pedal travel	4.00		
	Pedal ratio	3.51:1		
	Line pressure @ 100 lb. pedal load	576		
Parking Brake	Type	Drums; inboard of disc rotors on axle shafts Internal expanding shoes, mechanically actuated		
	Control	Lever; floor mounted between bucket seats		
	Size (L x W x T)	6.78 x 1.25 x .175		
	Total effective area (sq. in.)	33.9		

BULBS AND LAMPS

BULBS AND LAMPS	NUMBER REQUIRED AND TRADE NUMBER	CANDLE POWER PER LAMP
Backing lamp	2-1156	32
Cigarette lighter	1-1445	7
Courtesy - Instrument panel	2-906	6
Direction signal indicator	2-1895	2
Dome	1-214-2	4
Headlamp Outer	2-5001	High beam 37.5W
		Low beam 55.0W
Headlamp Inner	2-4000	High beam 37.5W
Headlamp hi-beam indicator	1-1895	2
Headlamp warning indicator	1-1895	2
Heater or air conditioning control	1-558	3
Instrument panel cluster	14-194	2
License plate rear	1-168	3
Parking - Front	2-1157 NA	2.2
Park		24
Turn		
Parking brake alarm & warning light	1-194	2
Radio RPO U69	1-216	1
Radio Dial & Indicator RPO U58	1-216 (dial)	1 - dial
	1-66 (indicator)	.1 - indicator
Radio - UM2	1-1893 (dial)	2
	1-DS410 (ind.)	led (a)
Seat belt warning indicator	1-1895	2
Side Marker - Front	2-168	3
Side Marker - Rear	2-168	3
Spare Tire Illumination	1-168	3
Tail	2-1157	32
Stop and turn Tail		3
Transmission control indicator	1-161	1
Underhood lamp	1-93	15

(a) Light emitting diode.

FUSES AND CIRCUIT BREAKERS

CIRCUIT	TYPE OF PROTECTION	LOCATION AND CIRCUIT*
Air conditioning	30 amp fuse	In line
	25 amp fuse	Fuse panel (h)
Anti-theft horn and relay	20 amp fuse	Fuse panel (e)
Back-up lamps	20 amp fuse	Fuse panel (b)
Brake warning lamp	10 amp fuse	Fuse panel (c)
Cigarette lighter	20 amp fuse	Fuse panel (e)
Clock	20 amp fuse	Fuse panel (e)
Courtesy lamps	20 amp fuse	Fuse panel (e)
Defogger, rear window	20 amp fuse	Fuse panel (g)
Direction signal indicator	20 amp fuse	Fuse panel (b)
Direction signal lamps	25 amp fuse	Fuse panel (b)
Dome lamp	20 amp fuse	Fuse panel (e)
Fuel gauge	10 amp fuse	Fuse panel (c)
Glove compartment lamp	20 amp fuse	Fuse panel (e)
Headlamp hi-beam indicator lamp	Circuit breaker	Light switch (i)
Headlamps	Circuit breaker	Light switch (i)
Headlight buzzer	10 amp fuse	Fuse panel
Heater	25 amp fuse	Fuse panel (h)
Heater dial lamp	5 amp fuse	Fuse panel (f)
Instrument cluster lamps	5 amp fuse	Fuse panel (f)
Key warning buzzer	20 amp fuse	Fuse panel (a)
License plate, rear	20 amp fuse	Fuse panel (d)
Oil gauge	10 amp fuse	Fuse panel (c)
Override relay -- (headlight)	10 amp fuse	Fuse panel (c)
Parking lamps	20 amp fuse	Fuse panel (d)
Power windows motor	10 amp fuse	Fuse panel (c)
Radio	20 amp fuse	Fuse panel (g)
Radio lamp	5 amp fuse	Fuse panel (f)
Seat belt warning buzzer	10 amp fuse	Fuse panel (c)
Seat belt warning lamp	10 amp fuse	Fuse panel (c)
Side Marker lamp - Front	20 amp fuse	Fuse panel (d)
Side Marker lamp - Rear	20 amp fuse	Fuse panel (d)
Stop lamps	20 amp fuse	Fuse panel (a)
Tail lamps	20 amp fuse	Fuse panel (d)
Temperature gauge	10 amp fuse	Fuse panel (c)
Traffic hazard indicator	20 amp fuse	Fuse panel (a)
Trans. shift indicator lamp	5 amp fuse	Fuse panel (f)
Trans. down shift	20 amp fuse	Fuse panel (g)
Windshield wiper	25 amp fuse	Fuse panel (j)
Windshield wiper lamp	5 amp fuse	Fuse panel (f)
W/S washer pump	25 amp fuse	Fuse panel (j)

* Letter suffix indicates same circuit



POWER TRAINS

POWER TEAM COMBINATIONS	2
POWER TEAM MULTIPLICATION FACTORS	2
ENGINE DATA AND RATINGS	3
ENGINE SPEED AND PISTON TRAVEL	3
VEHICLE PERFORMANCE FACTORS	4
PRINCIPAL COMPONENTS	5
FUEL SYSTEM	10
EXHAUST SYSTEM	10
EMISSION CONTROL EQUIPMENT	11
LUBRICATION SYSTEM	12
COOLING SYSTEM	13
ELECTRICAL SYSTEM	14
CLUTCHES	15
FOUR SPEED TRANSMISSIONS	15
THREE-SPEED AUTOMATIC TRANSMISSION	16

POWER TEAM COMBINATIONS

ENGINE	TRANSMISSION	MODEL APPLICATION	POSITRACTION AXLE RATIOS (*)			RING GEAR	I.W. CLASS
			ALL STATES		WITH ALT. RPO NA6		
			BASE	OPTIONAL			
350 Cu. In. V-8 (5.7 litre) - (L48) Base - all states	4-Spd. (2.85:1 low) (a)	Sport Coupe	3.36:1	---	---	8.375	4000
	3-Speed Automatic		3.08:1		3.55:1		
350 Cu. In. V8 (5.7 litre) - (L82) Optional - all states except Calif.	4-Spd. (2.64:1 low)	Sport Coupe	3.70:1	3.36:1	---	8.375	4000
	4-Spd. (2.43:1 low)		3.70:1				
	3-Speed Automatic		3.55:1	---			

(*) Air conditioning available with all transmission/axle combinations.

(a) Not available in California.

MULTIPLICATION FACTORS

WITH MANUAL TRANSMISSION

ENGINE	CARBURETION	TRANSMISSION	TOTAL GEAR REDUCTION					AXLE RATIO
			1st	2nd	3rd	4th	Rev	
350 Cu. In. V-8 Standard (L48)	4-Barrel	4-Speed (2.85:1)	9.58	6.79	4.54	3.36	9.58	3.36
350 Cu. In. V-8 RPO L82	4-Barrel	4-Speed (2.64:1)	9.77	6.47	4.96	3.70	9.43	3.70
		4-Speed (2.43:1)	8.99	5.96	4.55	3.70	8.69	3.70

WITH AUTOMATIC TRANSMISSIONS

ENGINE	TRANSMISSION	SELECTOR POSITION	TOTAL TORQUE* MULTIPLICATION	AXLE RATIO
350 Cu. In. V-8 Standard (L48)	3-Speed Automatic	Drive	15.52:1 - 3.08:1	3.08:1
		Low	15.52:1 - 7.76:1	
		Second	15.52:1 - 4.68:1	
		Reverse	11.95:1 - 5.96:1	
350 Cu. In. V-8 RPO L82	3-Speed Automatic	Drive	17.90:1 - 3.55:1	3.55:1
		Low	17.90:1 - 8.95:1	
		Second	17.90:1 - 5.40:1	
		Reverse	13.78:1 - 6.89:1	

* - Axle ratio x transmission ratio.

ENGINE DATA AND RATINGS

GENERAL DATA

Engine Type	V-8 OHV		
Piston Displacement (Cu.In.)	350		
Availability	Standard (L48)	RPO L82	
Number of cylinders	Eight		
Bore and Stroke (nominal)	4.00 x 3.48		
Compression Ratio	8.2:1	8.9:1	
Taxable (SAE) Horsepower	51.2		
Firing Order	1-8-4-3-6-5-7-2		
Idling	Manual Trans. (In Neutral)	700	900
Speed	Automatic Trans. (In Drive)	500	700
Compression Press. (PSI) @ Cranking Speed, Engine Hot	150		
Power Plant Mounting	Two front and one rear, compression type		
Measurements	Fan to rear of engine block	31.55	30.86
	Top air cleaner to bottom oil pan	28.52	29.42
	Exhaust manifold to generator (width)	28.53	28.53

ADVERTISED ENGINE RATING

Engine Designation	Availability	Carburetor	Federal		Calif.	Net Brake HP @ RPM	Net Torque @ RPM (lb. ft.)
			Below 4000 Ft.	Above 4000 Ft.			
350 Cu. In.	RPO L48	4-Barrel	X			185 @ 4000	280 @ 2400
	RPO L82			X	X	175 @ 3800	265 @ 2400
				X			220 @ 5200

ENGINE SPEED AND PISTON TRAVEL

Engine	Standard (L48)		RPO L82		
	4-Speed	3-Spd. Auto.	4-Speed	3-Spd. Auto.	
Rear Axle Ratio	3.36:1	3.08:1	3.70:1	3.55:1	
Tire Size	P225/70R-15				
Crankshaft Revolutions per Mile	2550.2	2337.7	2808.3	2694.5	
Crankshaft RPM @ MPH	Low	121.1	98.3	123.6	113.7
	Second	85.9	59.3	81.9	75.3
	Third	57.4	39.0	62.7	57.6
	Fourth	42.5	-	46.8	-
	Reverse	121.1	75.7	119.3	110.0
Piston Travel (Ft/Mile)	1479.1	1355.9	1628.8	1562.8	

VEHICLE PERFORMANCE FACTORS

ENGINE	RPO L48 185 HP	RPO L82 220 HP
MODEL	1YZ87	1YZ87

4-SPEED TRANSMISSION

Performance Weight (lbs.)		3829	3849
Pounds per Net H.P.	Federal	20.70	17.50
	California	21.88	--
Pounds/Cu. In. Displacement		10.94	11.00
Net HP/Cu. In. Displacement	Federal	.529	.629
	California	.500	--
Power Displacement (cu. ft./mile)		258.3	284.4
Displacement Factor (cu. ft./ton mile)		134.9	147.8

3-SPEED AUTOMATIC TRANSMISSION

Performance Weight (lbs.)		3863	3883
Pounds per Net H.P.	Federal	20.88	17.65
	California	22.07	--
Pounds/Cu. In. Displacement		11.04	11.09
Net H.P./Cu. In. Displacement	Federal	.529	.629
	California	.500	--
Power Displacement (cu. ft./mile)		236.7	272.9
Displacement Factor (cu. ft./ton mile)		123.7	140.6

GLOSSARY

Performance Weight	Curb Weight plus 300 Lb (weight of two 150 lb passengers)
Power Displacement	$\frac{\text{Crankshaft Revs/Mi} \times \text{Piston Displacement}}{2 \times 1728}$
Displacement Factor	$\frac{\text{Power Displacement}}{\text{Performance Wt (tons)}}$

PRINCIPAL COMPONENTS

CYLINDER BLOCK

Material Cast alloy iron
 Bore 3.9995-4.0025
 Bore Spacing (Centerline to Centerline) 4.4
 Bearing Caps (Number, material & attachment)
 V8-350 Cu.In. (L48) 5, cast iron; 2-bolt
 V8-350 Cu.In. (L82) No. 1 & 5, cast iron; 2-bolt
 No. 2, 3 & 4, nodular iron; 4-bolt
 Water Jackets Full length around each cylinder

CYLINDER HEAD

Material High chrome cast alloy iron
 Bolt Number 34
 Bolt Size4375 dia.; 14 threads/inch

COMBUSTION CHAMBER VOLUME

(Total chamber volume of assembled engine with piston at top center)
 V8-350 Cu.In. (L48) 6.27 Cu.In.
 V8-350 Cu.In. (L82) 5.55 Cu.In.

INLET MANIFOLD

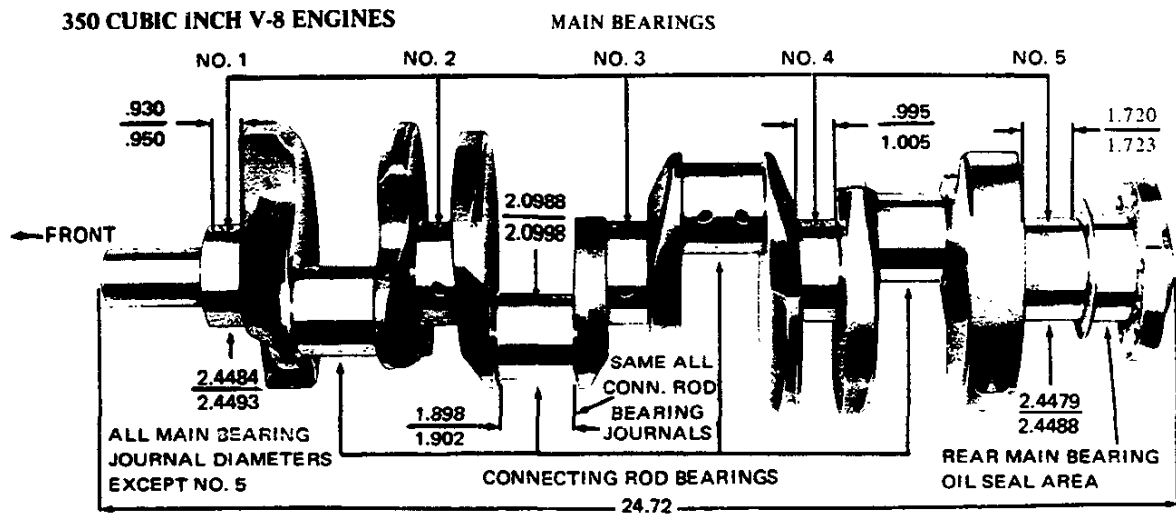
Material
 RPO L48 Cast alloy iron
 RPO L82 Aluminum
 Type 8 port, double deck

EXHAUST MANIFOLD

Material Cast alloy iron
 Type Dual, 4 port, exhaust emission to a single runner with center takedown collector
 Outlet Diameter (Nominal) 2.50

CRANKSHAFT

Material
 RPO L48 Nodular cast iron
 RPO L82 Forged steel
 End Play002-.007
 Counter Weights 6
 Crank Arm Length 1.74
 Torsional Damper Sintered iron
 Timing Gear Steel; sprocket & chain
 Pulley Pitch Diameter 6.64



PRINCIPAL COMPONENTS

MAIN BEARINGS

Material Premium aluminum
 Type Precision removable
 Thrust Against Bearing No. 5
 Clearance (No. 1) .0008--.0020;
 (No. 2, 3 & 4) .0011--.0023; (No. 5) .0017--.0033

Dimensions	Theoretical Inner Dia.	Effective Length	Projected Area
Bearing No. 1-4	2.4502	.752	1.8425
Bearing No. 5	2.4508	1.180	2.8919

CAMSHAFT

Material Cast alloy iron
 Drive Chain
 Gear Nylon teeth with aluminum hub
 Lobe Lift
 V8-350 Cu.In. (L48) .. .2600 Inlet; .2733 Exhaust
 V8-350 Cu.In. (L82) .. .3000 Inlet; .3067 Exhaust
 Bearings 5; steel backed babbit

VALVE LIFT

V8-350 Cu.In. (L48)3900 Inlet; .4100 Exhaust
 V8-350 Cu.In. (L82)4500 Inlet; .4600 Exhaust

VALVE TRAIN

Type Individually mounted overhead rocker arms, push rod actuated
 Lifters Hydraulic
 Push Rods
 Type Hollow steel
 Ends
 V8-350 Cu.In. (L48) Hardened
 V8-350 Cu.In. (L82) Hardened steel insert on rocker arm ends
 Rocker Arms
 Material Stamped steel
 Ratio 1.50:1
 Rotators Exhaust

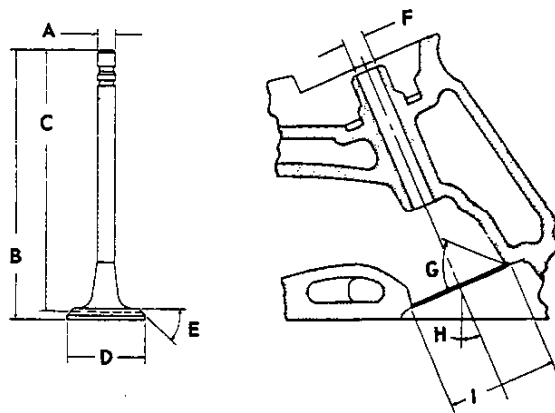
VALVE SPRINGS

Diameter (I.D.)
 V8-350 Cu.In.868--.884
 Installed Length (lb. @ in.)
 Valve Closed
 V8-350 Cu.In. (L48)
 Inlet 76-84 @ 1.70
 Exhaust 76-84 @ 1.61
 V8-350 Cu.In. (L82) 76-84 @ 1.70
 Valves Opened
 V8-350 Cu.In. (L48)
 Inlet 194-206 @ 1.25
 Exhaust 194-206 @ 1.16
 V8-350 Cu.In. (L82) 194-206 @ 1.25
 Free Length 2.03
 Valve Spring Damper Flat steel, 4 coils

PRINCIPAL COMPONENTS

INLET VALVES

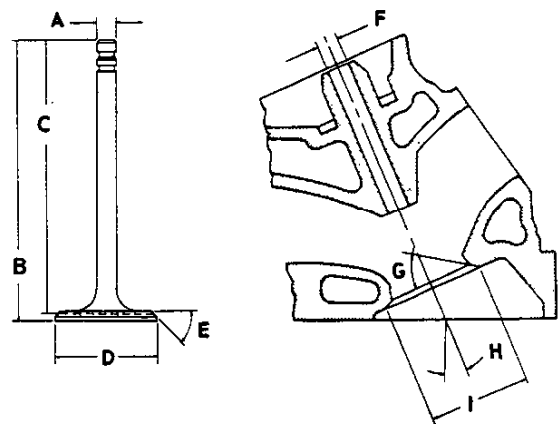
Material Alloy steel
 Coating
 Type None
 All Stems Chrome flash



A - Stem Diameter3410-.3417
B - Overall Length	4.870-4.889
C - Gage Length	4.785-4.795
D - Overall Head Diameter		
V8-350 Cu.In. (L48)	1.935-1.945
V8-350 Cu.In. (L82)	2.017-2.023
E - Angle of Face	45°
F - Guide Diameter3427-.3437
G - Angle of Seat	46°
H - Valve Angle	23°
I - Valve Seat Diameter		
V8-350 Cu.In. (L48)	1.591-1.597
V8-350 Cu.In. (L82)	1.949-1.979

EXHAUST VALVES

Material High alloy steel
 Coating
 Type Aluminum face
 All Stems Chrome flash



A - Stem Diameter3410-.3417
B - Overall Length		
V8-350 Cu.In. (L48)	4.910-4.930
V8-350 Cu.In. (L82)	4.891-4.910
C - Gage Length	4.781-4.791
D - Overall Head Diameter		
V8-350 Cu.In. (L48)	1.495-1.505
V8-350 Cu.In. (L82)	1.595-1.605
E - Angle of Face	45°
F - Guide Diameter3427-.3437
G - Angle of Seat	46°
H - Valve Angle	23°
I - Valve Seat Diameter		
V8-350 Cu.In. (L48)	1.321-1.327
V8-350 Cu.In. (L82)	1.512-1.551

PRINCIPAL COMPONENTS

PISTONS

Material	
V8-350 Cu.In. (L48)	Cast aluminum alloy
V8-350 Cu.In. (L82)	Alum. impact extruded
Head Type	
V8-350 Cu.In. (L48)	Sump
V8-350 Cu.In. (L82)	Flat, notched
Skirt Type	
	Slipper
Top Land Clearance	
V8-350 Cu.In. (L48)	.0235-.0325
V8-350 Cu.In. (L82)	.0305-.0395
Skirt Clearance	
V8-350 Cu.In. (L48)	.0007-.0017
V8-350 Cu.In. (L82)	.0046-.0056
Compression Ring Groove Depth	
	.2218-.2308
Oil Ring Groove Depth	
	.2038-.2128
Pin Bore Offset	
V8-350 Cu.In. (L48)	.055-.065
V8-350 Cu.In. (L82)	On center
Compression Height	
V8-350 Cu.In. (L48)	1.558-1.562
V8-350 Cu.In. (L82)	1.553-1.567

PISTON PINS

Material	Chromium steel
Length	2.990-3.010
Diameter	.9270-.9273
Clearance in Piston	
V8-350 Cu.In. (L48 - Base)	.00025-.00035
V8-350 Cu.In. (L82)	.00045-.00055
Pin Mounting	Locked in rod by shrink fit

VALVE TIMING (Crankshaft Degrees - Excluding Ramps)

V8-350 Cu.In. (L48)

Inlet Valve	
Opens - BTC	28°
Closes - ABC	72°
Duration	280°
Exhaust Valve	
Opens - BBC	78°
Closes - ATC	30°
Duration	288°

V8-350 Cu.In. (L82)

Inlet Valve	
Opens - BTC	52°
Closes - ABC	114°
Duration	346°
Exhaust Valve	
Opens - BBC	98°
Closes - ATC	62°
Duration	340°

COMPRESSION RING – UPPER

Material	Cast alloy iron
Type	Straight edge inside of ring
Face	Radius
Coating	
V8-350 Cu.In. (L48)	Chrome flash
V8-350 Cu.In. (L82)	Wear resistant coating molybdenum inlay
Width	
V8-350 Cu.In. (L48)	.0775-.0780
V8-350 Cu.In. (L82)	.0770-.0775
Wall Thickness	.190-.200
Gap	.010-.020

COMPRESSION RINGS – LOWER

Material	Cast alloy iron
Type	Reverse twist (top of ring 30 degrees to piston vertical axis)
Face	Tapered
Coating	Wear resistant
Width	.0770-.0775
Wall Thickness	.190-.200
Gap	.013-.025

OIL CONTROL RINGS

Type	Multi-piece (two rails and one spacer)
Material	
Rails	Steel
Spacer	Alloy steel
Width (assembled)	.1850-.1870
Wall Thickness	.150-.156
Gap	.015-.055
Rail Coatings	Chrome plated

CONNECTING RODS

Material	Drop forged steel
Length (center to center)	5.695-5.705

CONNECTING ROD BEARINGS

Material	Premium aluminum
Type	Precision removable
Clearance	.0013-.0035
Theoretical LD.	2.1012
Effective Length	.797
End Play	.006-.016

FUEL AND EXHAUST SYSTEMS

FUEL SYSTEM

FUEL TANK

Capacity (Gal) 24 (approximately)
Location In body cavity at rear of deck area
Filler Location Center of rear deck area

FUEL FILTERS, DUAL

In Fuel Tank Mesh strainer
Carburetor Inlet Paper

FUEL PUMP

Type Deep cover with vapor return lines.
Drive Camshaft eccentric
Location Lower right front of engine
Pressure Range (shut off pressure at 1800 RPM)
All Engines 7.50-9.00 PSI at pump outlet

AIR CLEANER

Type Ducted air, closed paper element,
thermac, steel/-L48, single snorkel; L82-dual snorkel
Filter Element Oil-wetted paper

CHOKE

Type Automatic

CARBURETORS

Make & Type 4-barrel, quadrajet
SAE Flange Size 1.50
Throttle Bore
Primary 1.38
Secondary 2.25
Venturi
Primary 1.218
Secondary Air valve
Secondary Throttle Actuation By linkage
approximately when primary valves are opened
half between closed and open.

EXHAUST SYSTEM

MUFFLERS

Type Dual, exhaust,
single converter with crossover
Construction Heads and body joined
by rolled lock seam construction
Shell036 sheet steel aluminum coating
Wrap030 indented asbestos sheet
Cover Stainless steel outer wrap
Heads048 sheet steel aluminum coating
Length, Body 16.00
Width (I.D.) 9.00
Height (I.D.) 7.00

EXHAUST PIPES

Type Two piece; front and rear assemblies
Material Seamless steel tubing
DIMENSIONS - O.D. & WALL THICKNESS
Front Pipes - Laminated (Exhaust to Converter)
V8-350 Cu.In. (L48) 2.50 x .071
V8-350 Cu.In. (L82) 2.50 x .071
Rear Pipes - Laminated (Converter to Muffler)
V8-350 Cu.In. (L48) 2.25 x .072
V8-350 Cu.In. (L82) 2.25 x .072

TAIL PIPES

Type Steel tubing 2.25 x .062

SYSTEM APPLICATION

System Type	Engine Adaptation			
	L48			L82
	Federal		Calif.	49 States Below 4000 Ft.
	Below 4000 Ft.	Above 4000 Ft.		
PCV - Positive Crankcase Ventilation	X	X	X	*
EGR - Exhaust Gas Recirculation	X	X	X	*
CHA - Carburetor Hot Air	X	X	X	*
MAI - Manifold Air Injection		X	X	*
FEC - Fuel Evaporation Control System	X	X	X	*
CCS - Controlled Combustion System	X	-	-	-
UFC - Underfloor Converter	X	X	X	*
EFE - Early Fuel Evaporation	X	X	X	*

* - Not available in California.

BASIC FUNCTION OF SYSTEMS

POSITIVE CRANKCASE VENTILATION

Withdraws oil and gas vapors from the various cavities throughout the engine for burning in the combustion cycle.

EXHAUST GAS RECIRCULATION SYSTEM

Meters exhaust gas into induction system for recirculation throughout the combustion cycle to reduce oxides of nitrogen emissions.

CARBURETOR HOT AIR

Meters and mixes heated air with incoming cold air to optimize fuel evaporation.

MANIFOLD AIR INJECTION

Compresses, regulates and distributes quantities of air to more completely burn carbon monoxide and hydrocarbon emissions to the exhaust pipe in front of the converter.

EARLY FUEL EVAPORATION

System is designed to produce a very short engine warm-up cycle to improve vehicle driveability and reduce exhaust emission.

FUEL EVAPORATION CONTROL SYSTEM

Controls emission of gasoline vapors to the atmosphere by means of an integral separator with the fuel tank that separates vapor from liquid fuel - a filler cap that doesn't permit venting into the atmosphere - a canister for storage of vapors - lines, hoses and valves to control and transport vapors from fuel tank and carburetor float bowl to storage, and finally, to the carburetor for utilization in running the engine.

CONTROLLED COMBUSTION SYSTEM

Increased combustion efficiency through leaner carburetor mixtures and revised distributor calibration. Special thermostatically controlled damper, in the air cleaner snorkel maintains warm air intake to carburetor.

UNDERFLOOR CONVERTER

The flow of exhaust gases down through the catalyst within the converter, effectively controls the hydrocarbon and carbon monoxide to a more desirable emission.

LUBRICATION SYSTEM

GENERAL

Type	Controlled full pressure
Main Bearings	Pressure
Connecting Rods	Pressure
Piston Pins	Splash
Cylinder Walls	Pressure, jet cross sprayed
Camshaft Bearings	Pressure
Valve Lifters	Pressure
Rocker Arms	Pressure
Timing Gears	Centrifugally oiled from front camshaft bearing
Oil Pressure Sending Unit	Electric
Oil Filler	
Cap	Positive seal
Location	Top rear of left rocker cover

OIL PUMP

Type	Gear
Normal Oil Pressure	32-40 PSI @ 2000 RPM
Intake Type	Fixed
Capacity (GPM @ Eng. RPM)	4.3 @ 2000
Regulator Valve	Opens between 40-45 lbs

OIL DIP STICK

Location	Left side, rear of engine block
----------	---------------------------------

OIL PAN CAPACITY (Quarts)

Refill	4.0
Refill with Filter Change	4.5

OIL FILTER

Type	Full flow, throwaway canister
Location	Left rear underside of engine
Capacity	One pint
By-pass Valve	Opens between 9 to 11 PSI

LUBRICANT GRADES AND TEMPERATURES

20°F and Above	10W-30, 10W-40, 20W-20, 20W-40, 20W-50
0°F to 60°F	10W, 5W-30, 10W-30, 10W-40
Below 20°F	5W-20, 5W30

OIL PAN

Type of Drain Plug	Hex head
Location	Lower rear face of oil pan sump
Size Hex Head	.860-.875
Thread	1/2-20 UNF 2A
Length	0.81
Diameter	.410-.430

COOLING SYSTEM

GENERAL

Type . . . Pressure, vented thru coolant recovery system
Capacity 21.6 qts.

RADIATOR

Type Copper brass, cross flow
Core Constant and Thickness
Distance between Fins
RPO L4820
RPO L8218
Distance between Tubes55
Thickness of Core
RPO L48 1.96
RPO L82 2.68
Frontal Area (Sq.In.) 446
Overflow Separate coolant bottle

RADIATOR HOSE

Outlet, Lower (Radiator to Water Pump) . . . 1.75 LD.
Inlet, Upper (Thermostat Housing to Radiator) 1.50 LD.

RADIATOR CAP RELIEF VALVE

Opens at Approximately 15 PSI

FAN

Number of Blades 5, staggered
Diameter 17.50
Fan Pulley Pitch Diameter 7.00
Fan Cutout Thermomodulated fluid coupling

THERMOSTAT

Type Pellet
Begins to Open at 192-198°
Fully Opened at 227°

BELTS; CRANKSHAFT, FAN AND GENERATOR

Number Used Two
Angle of "V" 38°-42°
Pitch Line
Fan, Generator and Water Pump Belt 52.50
Fan and Water Pump Belt 32.46
Air Injection 32.50
Width380

WATER PUMP

Type Centrifugal
Capacity (GPM @ Engine RPM) 22.7 @ 2000
Bearing Permanently lubricated double row ball
Drive Fan belt
Ratio (Pump to Engine RPM) 0.949:1

DRAIN LOCATIONS AND TYPE

Engine Block Plug; right and left center
Radiator Plug; bottom right side

ELECTRICAL SYSTEM

SUPPLY SYSTEM

BATTERY

Voltage Rating and Watts
 Standard 12 & 3500
 Heavy Duty 12 & 4000
 Number of Cells and Plates
 Standard 6 & 78
 Heavy Duty 6 & 90
 Cold Cranking Rating
 Standard 0° 430 amps;
 - 20° @ 330 amps @ 100 minute reserve capacity
 Heavy Duty 0° @ 465 amps;
 - 20° @ 375 amps @ 125 minute reserve capacity
 Terminal Grounded Negative
 Location In stowage compartment
 behind driver

GENERATOR

Type Diode rectified with integral regulator
 Rating
 Amps 42
 Volts 12
 Drive By fan belt
 Pulley Pitch Diameter 2.70
 Ratio (Gen to Engine Speed) 2.46:1

REGULATOR

Type Micro-circuit unit, integral with generator
 Voltage Regulator
 Voltage 13.8-14.8 @ 85° F

STARTING SYSTEM

STARTING MOTOR

Rotation (Drive End View) Clockwise
 Test Conditions Engine at operating temperature
 No Load Test
 Amps 70-99
 Volts 12
 RPM 7800-12000
 Motor Drive
 Engagement Solenoid
 Pinion Meshes at Rear
 Pinion Tooth No. 9
 Flywheel Tooth No. Manual Trans. - 153;
 Automatic Trans. - 168
 Mounting Bolted to clutch housing

IGNITION SYSTEM

TYPE High Energy Ignition (H.E.I.)
 DISTRIBUTORS Refer to chart below

COIL

Type Integral with distributor

SPARK PLUGS

Make & Type ACR45TS
 Thread Size (mm) 14
 Gap045
 Torque 25 lb. ft.

CABLE Linen core impregnated
 with electrical conducting material and
 insulation of rubber with neoprene jacket

DISTRIBUTORS	L48		L82	
	1103337	1103353	(1103285)	1103291
Type	High Energy Ignition			
Centrifugal Advance Begins (RPM)	0 @ 1200	0 @ 1100	0 @ 1200	0 @ 1200
Max Degrees @ RPM	22 @ 4600	22 @ 4600	22 @ 4200	16 @ 2000
Vacuum Advance Begins (In. Hg.)	0 @ 4	0 @ 4	0 @ 4	0 @ 4
Max Degrees @ In. Hg.	24 @ 10	20 @ 10	10 @ 8	10 @ 8
Timing (Initial Design Setting)	6° @ 700/N	6° @ 500/D	8° @ 500/D	12° @ 900/N
Crankshaft Degrees @ RPM (with vacuum spark line disconnected)				12° @ 700/D
Timing Mark Location	Torsional damper			

Data in brackets () pertains to California.

TRANSMISSIONS AND CLUTCHES

CLUTCHES

Engine	Type	V8-350 Cu.In.		
	Availability	RPO L48 - Base	RPO L82	
Type		Single dry disc, semi-centrifugal		
Clutch cover & pressure plate	Eff. plate load, lbs.	2100-2300	2450-2750	
	Press. plate material	Nodular iron		
	Clutch spring type	Circular plate diaphragm, bent finger design		
	Clutch spring material	Heat treated spring steel		
Driven plate	Type	Single disc with two friction surfaces		
	Cushions	Flat spring steel between friction rings		
	Dampers	10 coil springs (5 sets of two) each plate		
	Friction rings	OD	11.00	
		ID	6.50	
		Total sq. in.	123.70	
Material		Woven type asbestos		
Flywheel	Flywheel Material	Nodular iron		
	Ring gear	Material	Heat treated HR steel	
		No. of teeth	168	
		PD	14.00	
		Attachment	Shrink fit	
Bearings	Release	Type	Single row ball	
		Lubrication	None, prepacked	
	Pilot	Type	Bronze bushing	
		Lubrication	None, sintered and oil impregnated	
Controls	Clutch fork	Drop forged steel, pivot mounted on ball		
	Pedal mounting	Pendant, from brace on dash		
	Lubrication	Crossover shaft		
Clutch housing material		Aluminum alloy		

4-SPEED TRANSMISSIONS

Engine Application	RPO L48	RPO L82			
Transmission Type - 4-Speed	RPO M20	RPO M20	RPO M21		
Case material	Aluminum				
Gear Shift	Type	Remote			
	Control	Lever			
	Location	Floor, mounted in console			
Gears	Type	Helical			
	Material	Forged steel, hardened			
	Synchronization	All forward gears			
	Constant mesh gear	All forward gears			
	Sliding gears	Reverse			
	Ratios	First	2.85	2.64	2.43
		Second	2.02	1.75	1.61
		Third	1.35	1.34	1.23
Fourth		1.00	1.00	1.00	
Reverse		2.85	2.55	2.35	
Lubricant	Type	GL-5 Gear Lubricant			
	Capacity (pts)	3			
Extension	Material	Aluminum			
	Oil Seal	Steel encased seal of spring loaded Silicone			

TRANSMISSIONS

THREE-SPEED AUTOMATIC

Engine		RPO L48 & RPO L82		
General Data	Type	Automatic hydraulic torque converter with compound planetary gear system - three forward speeds and reverse.		
	Selector lever	Location	Center floor console	
		Operation	Actuates controls by a hydraulic system from pressurized gear type pump	
		Quadrant pattern	P-R-N-D-L2-L1	
	Parking Lock	Type	Locking pawl	
		Operation	Applied by selector lever through manual linkage	
	Method of cooling	Water		
	Flywheel assembly	Steel stamping with welded on ring gear		
Oil pressure pump	Supplies hydraulic pressure from an engine driven gear type pump			
Hydraulic System	Type	Steel spool valve		
	Valves	Manual	Establishes range of transmission operation	
		Pressure regulator	Provides main line pressure	
		Shift (1-2)	Controls oil pressure for transmission shift from 1-2 or 2-1	
		Shift (2-3)	Controls oil pressure for transmission shift from 2-3 or 3-2	
	Modulator	Regulates line pressure with modulator oil pressure which varies with torque to transmission		
	Accumulator	Provides greater flexibility in attaining desired shift quality for various engine requirements		
	Pressure @ Idle (a)	Drive	60	
L2		87		
L1		87		
Reverse		91		
Converter Assembly	Pump (Drive member)	Multivane type, sheet metal blade spot welded to steel pump housing that is an integral part of the converter housing		
	Turbine (Driven member)	Steel axial flow blades assembled between inner & outer steel shells		
	Stator assembly	Aluminum multivane type blades mounted on a one way (overrunning) roller clutch		
	Stall ratio	2.00		
	Stall speed (RPM)	2110		
	Diameter (nominal)	11.75		
Planetary Gear Set	Reaction carrier assembly	4 steel pinion gears		
	Output carrier assembly	4 steel pinion gears		
	Intermediate band	Circular steel with organic lining		
	Range	D (Drive)	2.52:1 - 1.52:1 - 1.00:1	
		L2 (Low two)	2.52:1 - 1.52:1	
		L1 (Low one)	2.52:1	
R (Reverse)		1.93:1		
Servo Unit	Piston with release spring and inner cushion spring			
Case	Material	Aluminum		
	Type	Four, multiple disk		
Clutches	Material	Drive plates	Steel with bonded organic facings	
		Driven plates	Flat steel	
	Forward clutch	5 each drive & driven plates		
	Direct clutch	4 each drive & driven plates		
	Intermediate clutch	3 each drive & driven plates		
	Low & Reverse clutch	5 each drive & driven plates		
	Release spring	Radial row steel coil		
Torque Multiplication	Drive (maximum)	5.04:1 to 1.00		
	Low 2	5.04:1 to 1.52		
	Low 1	5.04:1 to 2.52		
	Reverse	3.86:1 to 1.93		
Governor	Type	Cross-axis centrifugal		
	Operation	Regulates a pressure proportional to car speed which acts upon the (1-2) (2-3) shift and modulator valves		
Lubricant	Type	Dexron II		
	Capacity (pints)	Dry	20	
		Refill	8	

(a) Condition 600 RPM input

1978 CORVETTE

Production: 40,274 coupe, 6,502 coupe (pace car), 46,776 total

1978 NUMBERS

Vehicle: 1Z87L8S400001 through 1Z87L8S440274
1Z87L8S900001 through 1Z87L8S906502 (pace car)
• Fifth digit varies as follows: L=350ci, 175hp, 185hp
4=350ci, 220hp

Suffix: CHW: 350ci, 185hp, mt CMR: 350ci, 220hp, mt
CLM: 350ci, 185hp, at CMS: 350ci, 220hp, at
CLR: 350ci, 175hp, ce, at CUT: 350ci, 185hp, at
CLS: 350ci, 175hp, ha, at

Block: 3970010: All 376450, 460703: uncertain usage

Head: 462624: All

Carburetor: Rochester Q-jet #17058202: 350ci, 185hp, at
Rochester Q-jet #17058203: 350ci, 185hp, mt
Rochester Q-jet #17058204: 350ci, 185hp, at, ac, fd
Rochester Q-jet #17058206: 350ci, 185hp, at, ac, sd
Rochester Q-jet #17058210: 350ci, 220hp, at
Rochester Q-jet #17058211: 350ci, 220hp, mt
Rochester Q-jet #17058228: 350ci, 220hp, at, ac
Rochester Q-jet #17058502: 350ci, 175hp, at, ce
Rochester Q-jet #17058504: 350ci, 175hp, at, ac, ce
Rochester Q-jet #17058582: 350ci, 175hp, at, ha
Rochester Q-jet #17058584: 350ci, 175hp, at, ac, ha

Distributor: 1103285: 350ci, 175hp, ce 1103337: 350ci, 185hp, mt
1103291: 350ci, 220hp 1103353: 350ci, 185hp, at

Alternator: 1102474: 350ci, ac or rd, ep 1102908: 350ci, ac or rd, lp
1102484: 350ci

Abbreviations: at=automatic transmission, ce=california emissions,
ci=cubic inch, ep=early production, fd=first design, ha=high altitude,
hp=horsepower, lp=late production, mt=manual transmission, rd=rear
defogger, sd=second design.

1978 FACTS

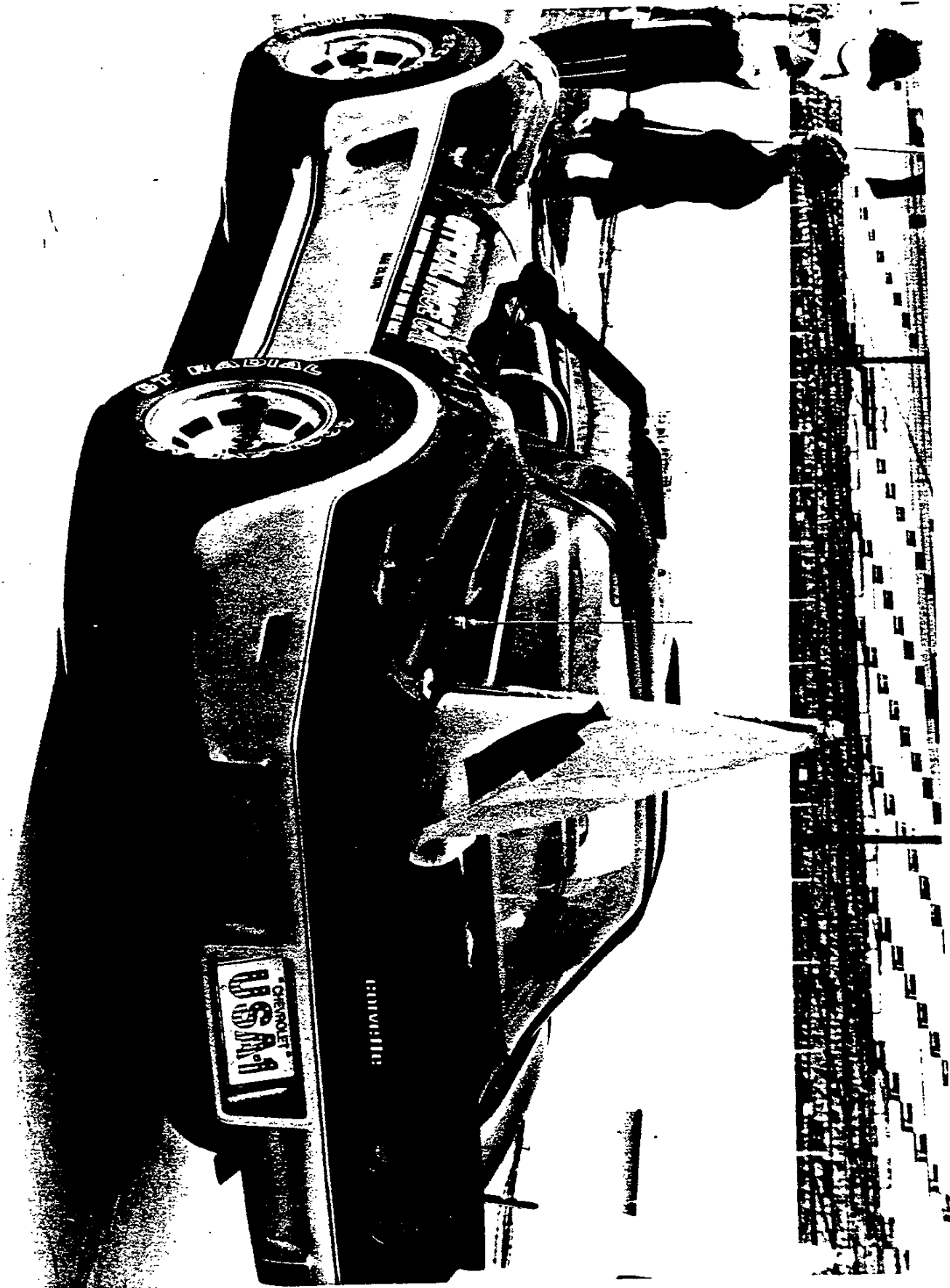
- Chevrolet marked the Corvette's twenty-fifth year by introducing the most extensively redesigned Corvette since the 1968 model. New "fastback" rear end styling featured a large rear window, but not a hatchback. The change created significantly more luggage space behind the seats.
- The 1978 interior was redesigned significantly. The speedometer and tachometer were redone in a more square, vertical mode. A glove box was added. Inner door panels were completely new and featured screwed-on arm rests instead of the molded-in style common to Corvettes since 1965.
- "25th Anniversary" emblems appeared exclusively on 1978 models.
- Wider 60-series tires became available as a 1978 Corvette option and required fender trimming at the Corvette assembly plant for clearance.
- The Corvette was honored as the pace car for the 1978 Indy 500 race. To commemorate the event, Chevrolet built limited edition Corvettes with their own vehicle identification number sequence. Initially, they were to have two-tone silver paint with red striping, special Goodyear tires with "Corvette" sidewall letters, and a build quantity of 300. The special tires were eliminated and the quantity became at least one for each Chevrolet dealer. The final build quantity released by Chevrolet was 6,502; however, other quantities have been published and some question remains.
- The "Silver Anniversary" paint option consisted of two-tone silver, lighter silver upper surface and darker silver lower surface, divided by silver striping. Sport mirrors and aluminum wheels were required.



4

5







Chief Steward Tom Binford poses with 1978 Corvette Pace Car.



.

.



1978 OPTIONS

RPO#	DESCRIPTION	QTY	RETAIL \$
1YZ87	Base Corvette Sport Coupe	40,274	\$9,351.89
1YZ87/78	Limited Edition Corvette (pace car)	6,502	13,653.21
A31	Power Windows	36,931	130.00
AU3	Power Door Locks	12,187	120.00
B2Z	Silver Anniversary Paint	15,283	399.00
CC1	Removable Glass Roof Panels	972	349.00
C49	Rear Window Defogger	30,912	95.00
C60	Air Conditioning	37,638	605.00
D35	Sport Mirrors	38,405	40.00
FE7	Gymkhana Suspension	12,590	41.00
G95	Optional Rear Axle Ratio	382	15.00
K30	Cruise Control	31,608	99.00
L82	350ci, 220hp Engine	12,739	525.00
M21	4-Speed Manual Trans, close ratio	3,385	0.00
MX1	Automatic Transmission	38,614	0.00
NA6	High Altitude Emission Equipment	—	33.00
N37	Tilt-Telescopic Steering Column	37,858	175.00
QBS	White Letter SBR Tires, P255/60R15	18,296	216.32
QGR	White Letter SBR Tires, P225/70R15	26,203	51.00
UA1	Heavy Duty Battery	28,243	18.00
UM2	AM-FM Radio, stereo with 8-track tape ...	20,899	419.00
UP6	AM-FM Radio, stereo with CB	7,138	638.00
U58	AM-FM Radio, stereo	10,189	286.00
U69	AM-FM Radio	2,057	199.00
U75	Power Antenna	23,069	49.00
U81	Dual Rear Speakers	12,340	49.00
YF5	California Emission Certification	—	75.00
YJ8	Aluminum Wheels (4)	28,008	340.00
ZN1	Trailer Package	972	89.00
ZX2	Convenience Group	37,222	84.00

• A 350ci, 185hp engine, 4-speed wide-ratio manual transmission, T-tops, and leather interior trim were included in the base price.

• ZX2 included dome light delay, headlight warning buzzer, underhood light, low fuel warning light, interior courtesy lights, floor mats, intermittent wipers, and right side visor mirror.

• Pace car replica included A31, AU3, CC1, C49, C60, D35, N37, QBS, UA1, UM2, U75, U81, YJ8 (red accent), and ZX2. Other options available at normal prices except UP6 substitution for UM2 at \$170.00.

• Manual transmission and/or L82 not available California or high altitude.

1978 COLORS

CODE	EXTERIOR	QTY	WHEELS	INTERIORS
10	Classic White	4,150	Silver	Bk-Db-Dbr-Lb-O-M-R
13	Silver	3,232	Silver	Bk-Db-M-R
13	Silver Anniversary	15,283	Silver	Bk-O-R
19	Black	11,075	Silver	Bk-Lb-M-O-R
26	Corvette Light Blue	1,960	Silver	Db
52	Corvette Yellow	1,243	Silver	Bk-Dbr-O
59	Corvette Light Beige	1,686	Silver	Bk-Db-Dbr-Lb-M
72	Corvette Red	2,074	Silver	Bk-Lb-O-R
82	Corvette Mahogany	2,121	Silver	Bk-Dbr-Lb-M-O
83	Corvette Dark Blue	2,084	Silver	Db-Lb-O
89	Corvette Dark Brown ...	1,991	Silver	Dbr-Lb-O

• Suggested interiors shown. Additional combinations were possible.

• The 11,075 quantity for code 19 black included 6,502 Pace Cars.

• Paint quantities exceed actual units sold. Sixteen units had primer only; additional excess units may be due to pilot builds not sold.

Interior Codes: 12C=O/C, 122=O/L, 15C=Sv/C, 152=Sv/L, 19C=Bk/C, 192=Bk/L, 29C=Db/C, 292=Db/L, 59C=Lb/C, 592=Lb/L, 69C=Dbr/C, 692=Dbr/L, 72C=R/C, 722=R/L, 76C=M/C, 762=M/L.

Abbreviations: Bk=Black, C=Cloth, Db=Dark Blue, Dbr=Dark Brown, L=Leather, Lb=Light Beige, M=Mahogany, O=Oyster, R=Red, Sv=Silver.



1

2



BLACK BOOK ORDER FORM

Send _____ copies of the

Corvette Black Book 1953-1992

@ \$11.95 each \$ _____

Ohio residents add .72 sales tax _____

Postage/hard shipping container 3.00

Check or money order enclosed \$ _____

Name _____

Street _____

City _____ State _____ Zip _____

Mail Order To: **Michael Bruce Associates, Inc.**
Post Office Box 396
Powell, Ohio 43065

BLACK BOOK ORDER FORM

Send _____ copies of the

Corvette Black Book 1953-1992

@ \$11.95 each \$ _____

Ohio residents add .72 sales tax _____

Postage/hard shipping container 3.00

Check or money order enclosed \$ _____

Name _____

Street _____

City _____ State _____ Zip _____

Mail Order To: **Michael Bruce Associates, Inc.**
Post Office Box 396
Powell, Ohio 43065

.

.

The Silver Anniversary Corvette encompasses two major milestones: Chevrolet alone, of all the American car makers, has been building and refining a 2-seater, American sports car for twenty-five years. And, more than a half-million have been purchased by an American public that still appreciates cars for people who like to drive.

The Silver Anniversary Corvette offers more comfort and convenience, a larger fuel tank and an increase in luggage capacity. There's also an entirely new rear end treatment that separates the 1978 Corvette from its predecessors. The new rear window not only allows for a cleaner styling profile, it also increases driver rear visibility and allows more room for traveling gear. A roll-out security shade covers the luggage space to conceal possessions from casual observance. The front

seat design makes the rear compartment more accessible and provision has been made for inside storage of Corvette's removable roof panels.

Also new for 1978 is a larger, plastic-lined fuel cell the capacity of which has been increased from 17 to 24 gallons, thereby increasing Corvette's cruising range.

A restyled instrument panel, featuring one-piece rectangular, face-mounted instrument cluster and round instruments, provides new appearance and serviceability. Both transmissions have been refined. A three-speed automatic unit is now available and a 4-speed gearbox is standard.

Finally, in observance of Corvette's 25th year, highly-styled Silver Anniversary emblems are mounted front and rear.

1978 Corvette from Chevrolet.
The only one.



.

.



1978 CORVETTE



Corvette Coupe

Corvette	Model No.
Coupe	1YZ87

Index

New Corvette Features for 1978	2-3	Color and Trim Selections	9
Corvette Features Continued for 1978	4-5	Available Options	10
Corvette Coupe Appearance Features	6	Power Teams	11
Corvette Coupe 25th Anniversary Option	7	Body/Chassis Features	12
Interior Features	8	Dimensions/Specifications	13

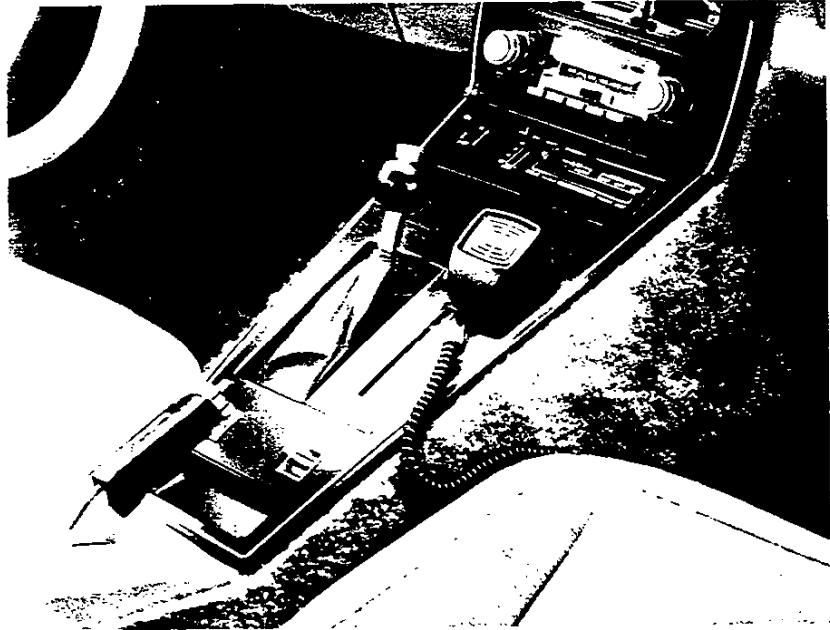
Also see Value Features section for additional details.

See Dealer Order Guide for latest available information.

Corvette/1

NEW CORVETTE FEATURES FOR 1978

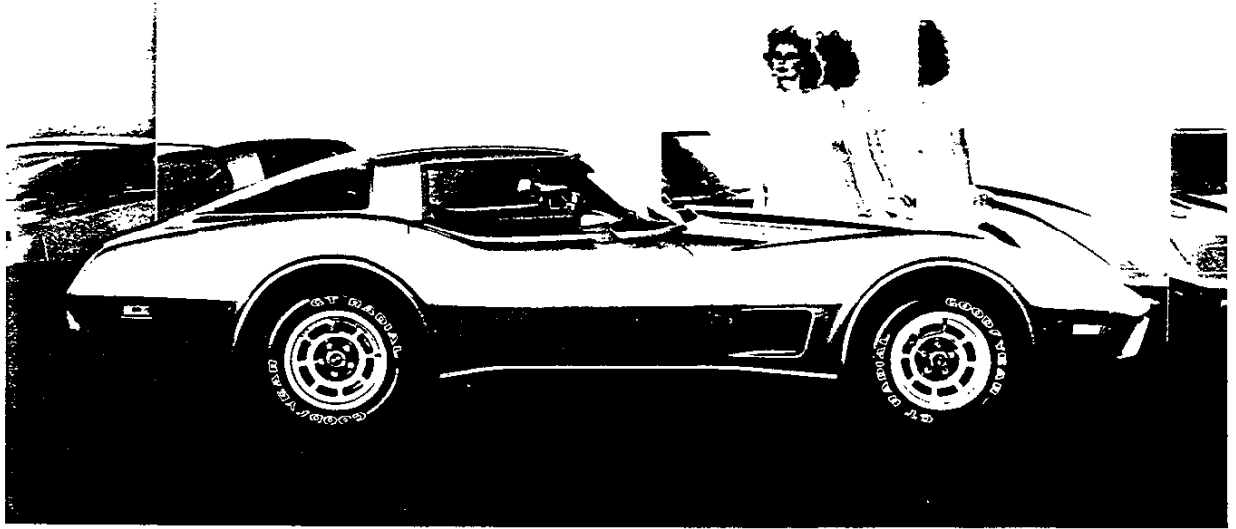
- New exterior look with fastback roof design
- New 25th anniversary paint available
- New interior styling with new door, floor, and rear compartment trim
- Redesigned instrument panel
- Increased cargo space
- New luggage security shade
- New AM/FM Stereo CB 40-channel Radio with power antenna available. The power-operated antenna automatically extends to its full 31-inch height when radio is switched on and 3-position antenna switch is in the UP position. It automatically lowers when the radio or ignition is turned off.
- New P225/60R15 white lettered aramid-fiber-belted radial ply tires available
- New full glass removable roof panels available
- Power door locks available
- Dual rear speakers available
- New choice of 10 exterior colors (5 new for '78)
- Larger 24-gallon fuel capacity
- New compact spare tire
- Improved performance on the available 350 cu. in. V8 (RPO L82)
- New chassis refinements
- New convenient single-loop seat belts



Available AM/FM Stereo Citizens Band Radio



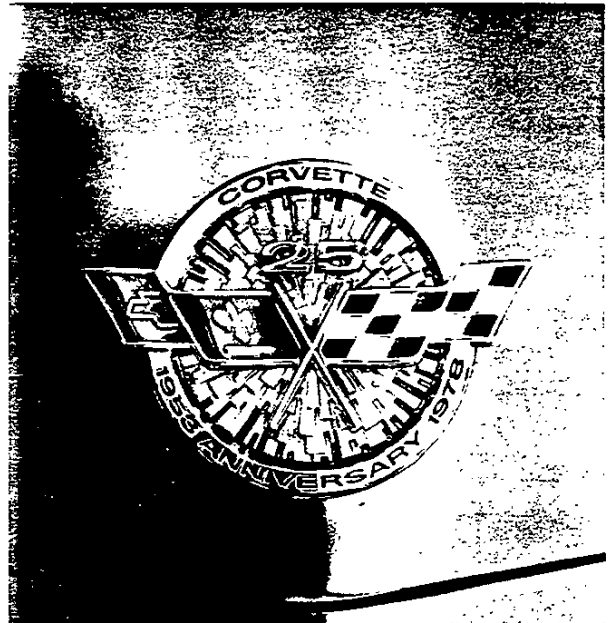
New Luggage Security Shade



Corvette Available 25th Anniversary Paint (RPO B2Z)



Power Antenna Available



Corvette 25th Anniversary Emblem

STANDARD CORVETTE VALUE FEATURES CONTINUED FOR 1978

Power Teams

- 350 cu. in. V8
- Automatic transmission or 4-speed fully synchronized transmission

Engine/Chassis

- High Energy Ignition system
- Early Fuel Evaporation systems on all engines for quick warm-up
- Steel-belted radial ply tires
- Power disc brakes at all four wheels
- Positraction rear axle
- Fully independent four-wheel suspension system
- Power steering
- Temperature-controlled engine radiator fan
- Exhaust valve rotators on all engines
- Delco Freedom battery never needs water. Sealed side terminals help prevent corrosion buildup
- Delcotron generator with built-in solid-state regulator
- Hydraulic valve lifters
- Large-diameter front stabilizer bar
- Wide 15 x 8 wheels
- Long recommended service intervals for oil change, oil filter, spark plugs, chassis lubrication and automatic transmission fluid

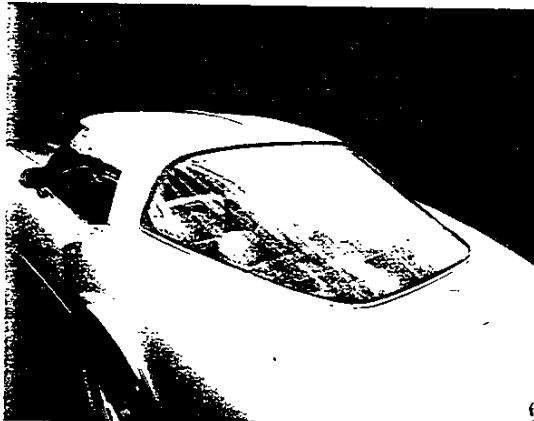
Body

- Tinted glass in all windows
- Heavy-gage frame structure with corrosion-resistant coating
- Energy-absorbing honeycomb cushion front bumper system
- Energy-absorbing rear bumper system with twin hydraulic cylinders

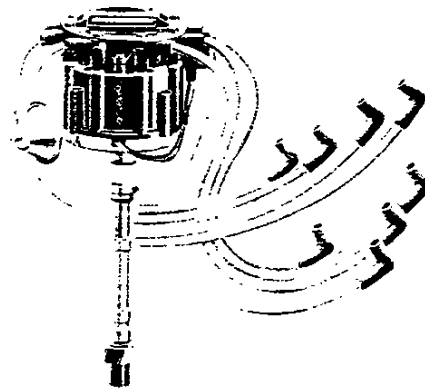
- Hide-A-Way windshield wipers with integral washers in wiper arms
- Wide outside rearview mirror
- Power-operated retractable headlights
- High-rise front fenders with functional louvers
- Flow-through ventilation system
- Corrosion-resistant steel-reinforced fiberglass body with partial steel underbody
- Built-in anti-theft audio alarm system control switch integral with driver's door lock

Interior

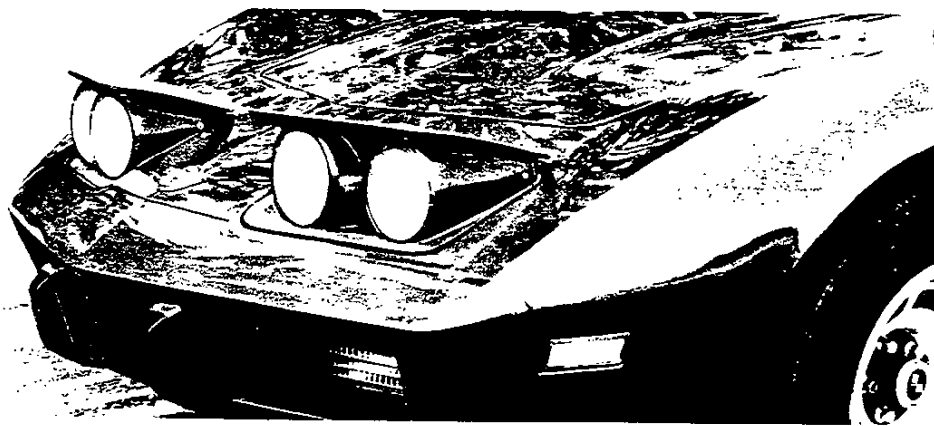
- Special Custom Interior with choice of cloth and leather or all-leather seating surfaces
- Day/night inside rearview mirror
- Tapered high-back bucket seats
- Special sport-styled 4-spoke steering wheel
- Aircraft-style center console
- Tachometer (7000 rpm)
- Electric clock
- Ammeter, oil pressure, fuel and temperature gages
- Separate trip odometer
- Console-mounted parking brake control
- Cut-pile carpeting
- Swiveling sun visors
- Color-keyed seat belts
- Folding seat back latches
- Roof courtesy light with automatic door switches
- Rear compartment stowage wells



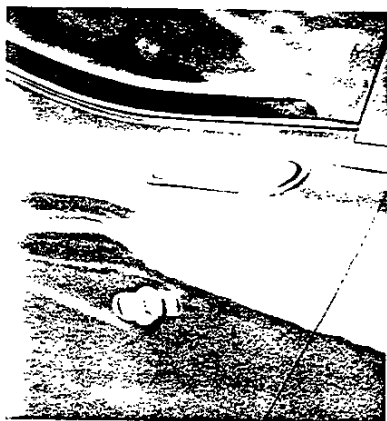
Tinted Glass in all Windows



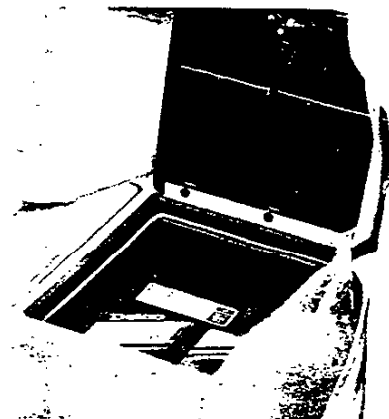
High Energy Ignition System



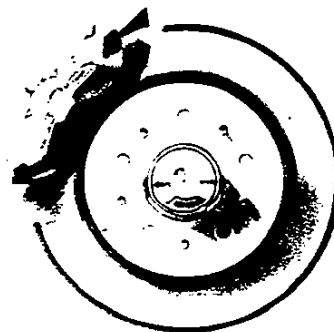
Power-Operated Retractable Headlights



Built-In Anti-Theft Audio Alarm System



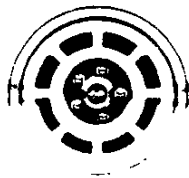
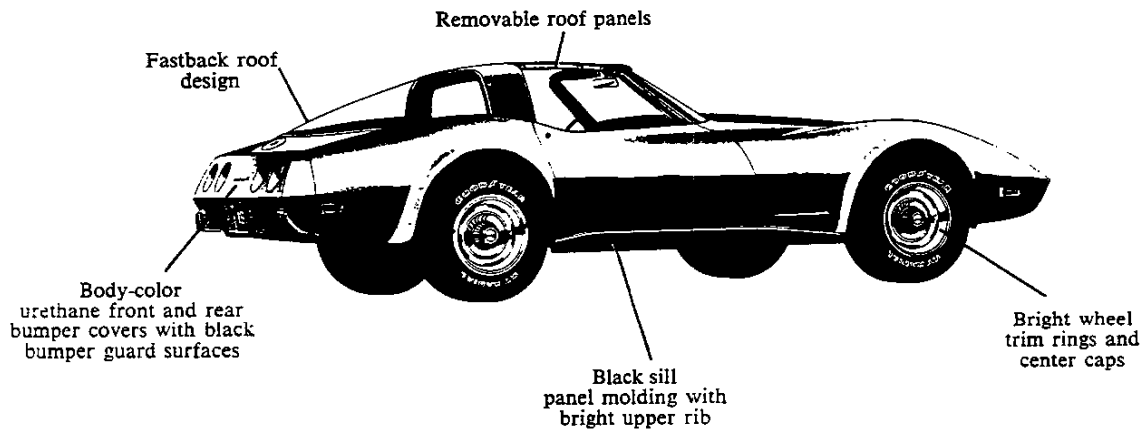
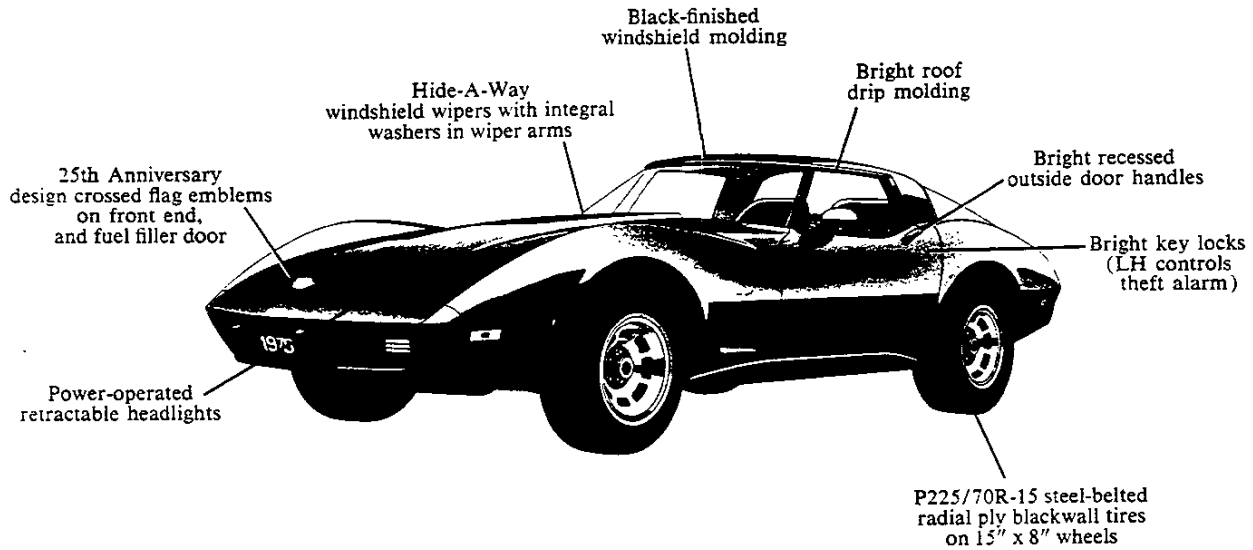
Delco Freedom Battery



Disc Brake at all Four Wheels

CORVETTE

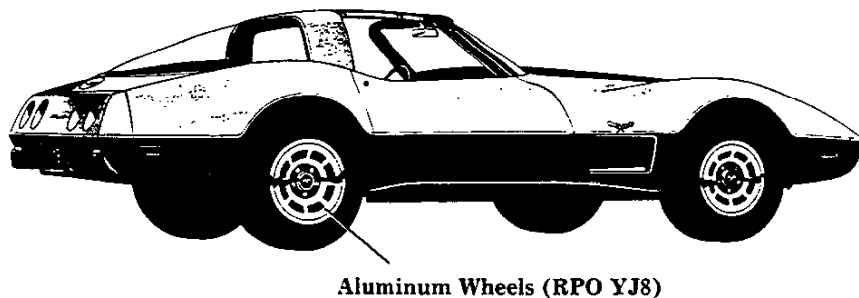
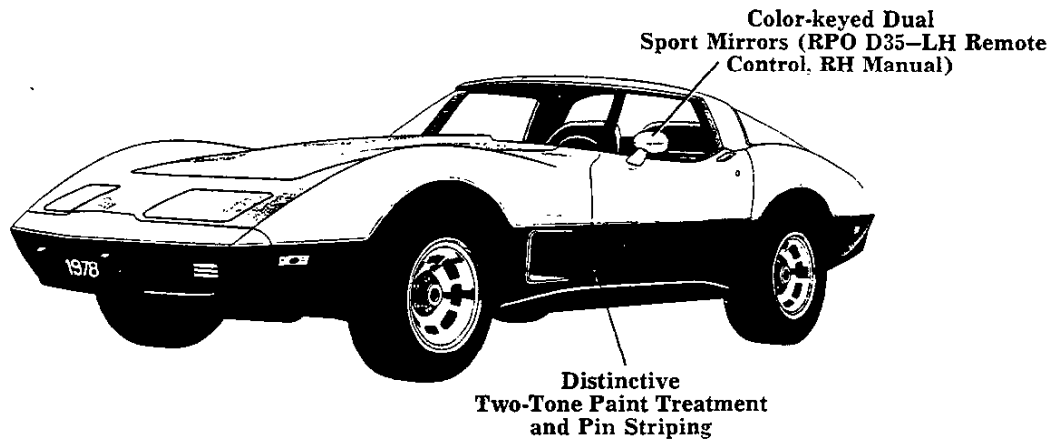
Coupe



Available Aluminum Wheel (RPO YJ8)

CORVETTE

25th Anniversary Paint (RPO B2Z)



25th Anniversary Paint (RPO B2Z)

Distinctive Silver finish accented with Dark Silver Metallic body side color. Aluminum Wheels (RPO YJ8) and Color-Keyed Dual Sport Mirrors (RPO D35) are required extra cost equipment. See page 9 for exterior colors.

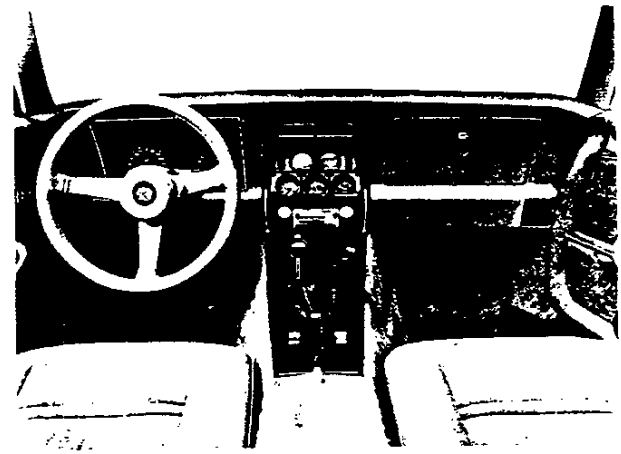


Required Aluminum Wheel (RPO YJ8)

INTERIOR FEATURES



Corvette Cloth-and-Leather Interior



Corvette Instrument Panel and Console

INTERIOR FEATURES

	Corvette
Four-spoke steering wheel	S
Tapered high-back bucket seats	S
Color-keyed seat belts	S
Color-keyed steering wheel and column	S
Column-mounted lever for turn signal and headlight beam	S
Cigarette lighter	S
Electric clock	S
Deep-twist floor and stowage area carpet	S
Day/night rearview mirror bonded to windshield glass	S
Passenger side coat hook	S
Swiveling sun visors	S
Overhead courtesy light	S
Rear compartment glove compartment	S
Door trim with carpeted lower panels	S
Parking brake lever mounted between seats	S
Electronic tachometer	S
140 MPH speedometer with trip odometer	S
Voltmeter, temperature, fuel and oil pressure gages	S

S—Standard

1978 CORVETTE COLOR SELECTIONS

To help you select the specific interior trim and color on your 1978 Corvette model, there are two distinct trim types. A sample of each trim type, in one of the available colors, is

shown below along with a list of other color selections. In addition to exterior colors, plus the Special 25th Anniversary Two-Tone paint, are also shown.

INTERIOR TRIMS



Corvette Cloth and Leather. Black, Dark Blue, Dark Brown, Light Beige, Red (shown), Mahogany, Oyster



Corvette Leather. Black, Dark Blue, Dark Brown, Light Beige (shown), Red, Mahogany, Oyster

25TH ANNIVERSARY PAINT (RPO B2Z)



13—Silver with Dark Silver Metallic body side color.

CORVETTE EXTERIOR COLORS

10—Classic White

*59—Light Beige

13—Silver

72—Red

19—Black

*82—Mahogany Metallic

*26—Light Blue

*83—Dark Blue Metallic

52—Yellow

*89—Dark Brown Metallic

COLOR AND TRIM COMBINATIONS

*New Color for 1978

EXTERIOR COLOR	CODE	INTERIOR COLOR	CORVETTE COUPE BUCKET SEAT INTERIORS**						
			BLACK Leather Cloth and Leather	DARK BLUE Leather Cloth and Leather	DARK BROWN Leather Cloth and Leather	LIGHT BEIGE Leather Cloth and Leather	RED Leather Cloth and Leather	MAHOGANY Leather Cloth and Leather	OYSTER Leather Cloth and Leather
CLASSIC WHITE	10		X	X	X	X	X	X	X
SILVER	13		X	X			X	X	X
BLACK	19		X			X	X	X	X
CORVETTE LIGHT BLUE	26		X	X					
CORVETTE YELLOW	52		X		X				X
CORVETTE LIGHT BEIGE	59		X	X	X	X	X	X	
CORVETTE RED	72		X			X	X		X
CORVETTE MAHOGANY METALLIC	82		X			X		X	X
CORVETTE DARK BLUE METALLIC	83		X	X		X	X		X
CORVETTE DARK BROWN METALLIC	89		X		X	X			X

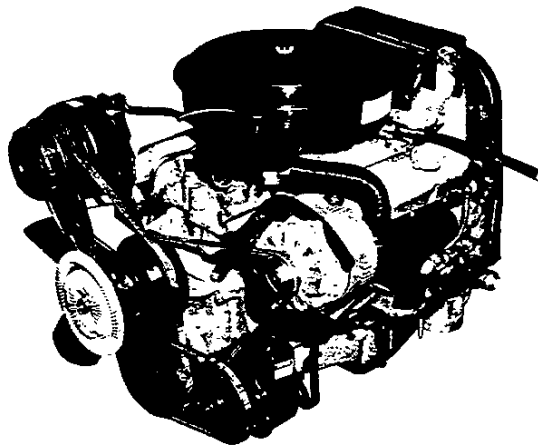
**Choice of all-leather seat surfaces or cloth-and-leather seat surfaces.

See Dealer Order Guide for latest available information.

AVAILABLE OPTIONS

	RPO Number
APPEARANCE FEATURES	
25th Anniversary Paint (Requires YJ8 & D35)	B2Z
Wheels: Cast aluminum	YJ8
COMFORT/CONVENIENCE	
Air Conditioning: Four Season	C60
Convenience Group: Includes delayed dome and courtesy lights, visor mirror, headlight-on-warning, low fuel indicator, engine compartment light, floor mats, intermittent windshield wipers	ZX2
Defogger, Rear Windows: Electro-Clear	C49
Door Lock System, Power	AU3
Mirrors, Sport: LH remote-control, RH manual	D35
Radio Equipment: Includes 30" fixed height rear antenna (except UP6)	U69
AM/FM radio	U58
AM/FM Stereo radio	UM2
AM/FM Stereo radio with stereo tape system	UP6
AM/FM Stereo Citizens Band 40-channel radio with power antenna	U75
Power antenna (not available with UP6)	U81
Rear speakers, dual	CC1
Roof Panels, Removable Glass Twin removable tinted glass panels	K30
Speed Control, Cruise-Master: Requires Automatic Transmission	N37
Steering Wheel, Tilt-Telescopic: Includes leather-wrapped sport wheel	A31
Windows, Power	
ENGINE/TRANSMISSIONS	
Emission Equipment: See Power Teams Availability	NA2
Standard Emission System	YF5
California Emission Certification	NA6
High Altitude Emission Equipment	L82
Engine: 350 cu. in. V8. See Power Teams for availability	M21
Transmissions: 4-Speed Manual—Close Ratio (requires L82 engine)	MX1
Automatic	
CHASSIS/MECHANICAL	
Axles: Highway ratio	G95
Battery, Heavy-Duty Freedom	UA1
Chassis Equipment— Trailerling. Includes heavy duty cooling, standard engine, Automatic Transmission and Gymkhana suspension	ZN1
Suspension Equipment: Gymkhana, Front and Rear	FE7
Tires: P225/70 R-15 Steel-belted radial ply white lettered	QGR
P255/60 R-15 Aramid fabric-belted radial ply white lettered	QBS

POWER TEAMS



Standard 350 cu. in. V8 Engine

ALL STATES EXCEPT CALIFORNIA

Engines	Power Rating†	Engine Availability	Transmissions / Rear Axle Ratios				Ring Gear Size
		Coupe	4-Speed Manual	4-Speed Manual (RPO M21)††	Automatic Transmission (STD.)		
					Below 4,000 Ft.	4,000 Ft. and Above	
350 cu. in. V8	185/175▲	STD.	3.36	NA	3.08	3.55	8 3/8"
350 cu. in. V8◆	220	RPO L82	3.70/3.36*	3.70	3.55	NA	8 3/8"

CALIFORNIA ONLY

350 cu. in. V8	175	STD.	NA	NA	3.55	NA	8 3/8"
----------------	-----	------	----	----	------	----	--------

†S.A.E. net horsepower as installed.

††4-Speed Close-Ratio Manual.

*Available Highway Ratio (RPO G95).

▲Rating with High Altitude Emission Equipment.

STD.—Standard.

NA—Not Available.

◆Not available in the following areas: States of California, Maryland, Florida, Oregon and Washington; Cities of Boston, Mass.; Grand Rapids, Mich.; Des Plaines, Ill.; Barrington, Ill. and all of Cook County, Ill. including Chicago.

SPECIAL NOTE: California Emission Equipment required for registration in California. In other States, High Altitude Emission Equipment may be required in areas 4,000 feet or more above sea level.

See EPA section for mileage estimates.

BODY/CHASSIS FEATURES

Body Structure & Features

- Magic-Mirror acrylic finish
- Fiberglass reinforced plastic body
- Heavy-gage frame structure with corrosion-resistant coating
- Corrosion-resistant steel-reinforced fiberglass body
- Energy-absorbing honeycomb cushion front bumper system
- Energy-absorbing rear bumper system with twin hydraulic cylinders
- Double-panel door construction
- Protective fiberglass fenders, front and rear
- Tinted glass
- Anti-theft audio alarm system
- Luggage area security shade
- Single lever roof panel locks
- Flow-through ventilation system
- Hide-A-Way dual-speed electric windshield wipers

Chassis Features

- Power steering
- Power disc brakes at all four wheels
- Automatic transmission or 4-speed fully synchronized manual transmission
- Delcotron generator with

built-in solid-state regulator

- High Energy Ignition system
- Coolant recovery system
- Exhaust valve rotators on all engines
- Hydraulic valve lifters
- Long recommended service intervals for oil change, oil filter, spark plugs, chassis lubrication and automatic transmission fluid
- Delco Freedom battery never needs water. Sealed side terminals help prevent corrosion buildup
- Front stabilizer bar
- Positraction rear axle
- Forward-mounted recirculating ball steering gear and linkage
- Fully independent front and rear suspension
- Temperature-controlled engine radiator fan
- Early Fuel Evaporation system on all engines to hasten engine warm-up
- Tires incorporate tread wear indicator
- Direct double-acting sealed-unit hydraulic shock absorbers
- P225/70R-15B steel-belted radial ply blackwall tires and 15" x 8" wheels

DIMENSIONS/ SPECIFICATIONS

EXTERIOR DIMENSIONS

Wheelbase	98.0
Length (overall)	185.2
Width (overall)	69.0
Height (loaded)	48.0
Front tread	58.7
Rear tread	59.5
Minimum ground clearance	4.3

INTERIOR ROOMINESS

Head room	36.2
Leg room	42.1
Hip room	49.9
Shoulder room	47.5

LUGGAGE COMPARTMENT

Useable luggage space (cu. ft.)	8.4
---------------------------------	-----

FUEL TANK CAPACITY (gallons)

	24.0
--	------

CURB WEIGHT (pounds)

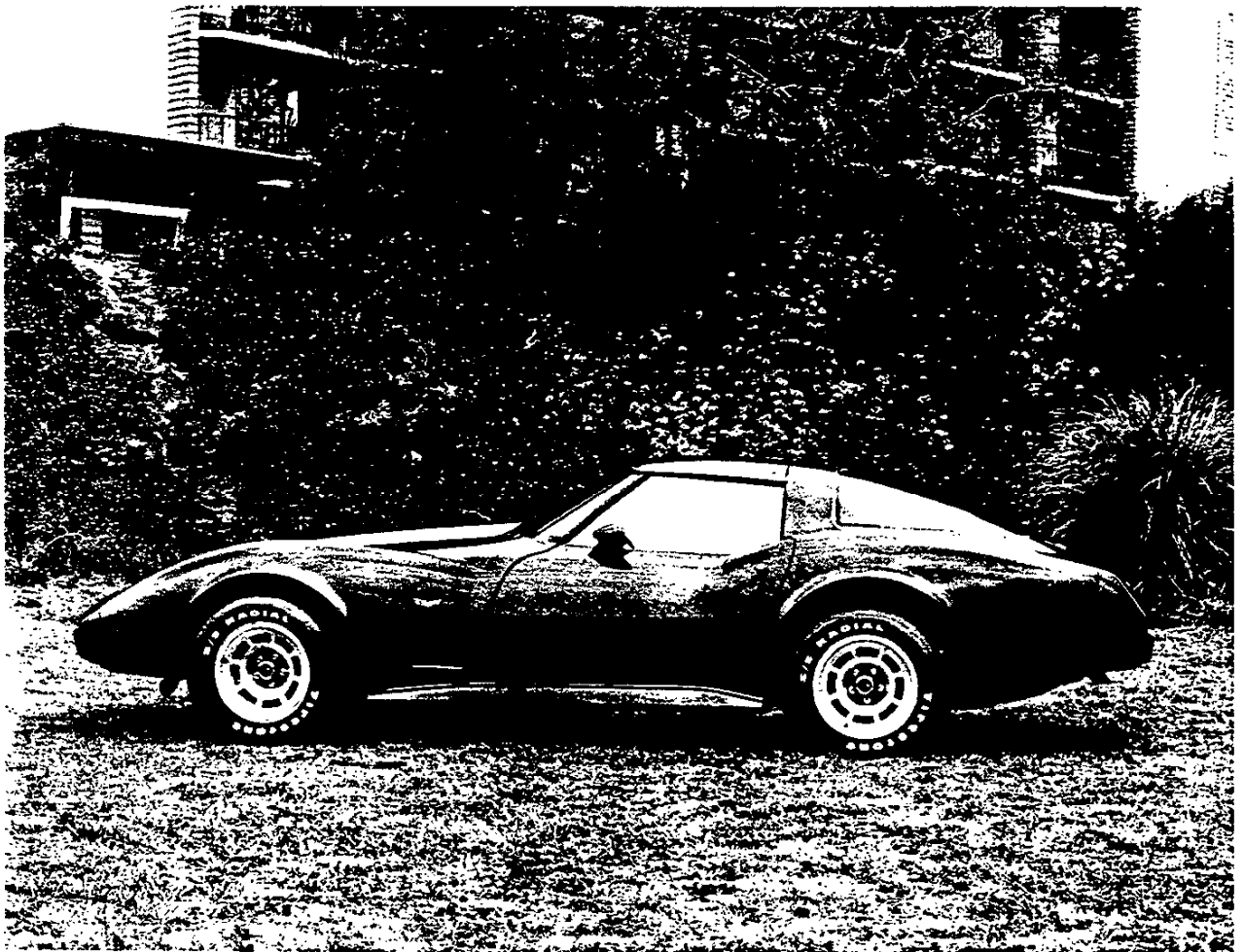
	3529
--	------



1978
CHEVROLET
ADVANCE PRODUCT
ENGINEERING
INFORMATION



DISTRIBUTED BY: CHEVROLET PUBLIC RELATIONS
DETROIT, MICHIGAN 48202



Corvette

CORVETTE

The Corvette program for 1978 embodies the most extensive change since the introduction of the current series in 1968. A new fastback roofline gives the car an even smoother more dynamic appearance, increased cargo space and improved rear visibility. The cockpit has an all new look.

MODELS —

The 2-Door Aero-Coupe with lift-out roof panels continues as the single model offering.

APPEARANCE —

- + New fastback styling replaces notchback configuration.
- + Front and rear emblems commemorate Corvette's twenty-fifth anniversary.
- + New padded instrument panel and front-mounted rectangular cluster.
- + Windshield wiper and washer controls mounted on instrument panel.
- + Built-in lockable glove box replaces map pocket.
- + New single loop type seat belts have retractors concealed in roof sail area.
- + New cover conceals contents of luggage area.
- + Theft alarm circuit expanded to monitor both lift-out roof panels.
- + 10 Exterior colors — 6 New
- + 7 Interior colors — 4 New

CHASSIS —

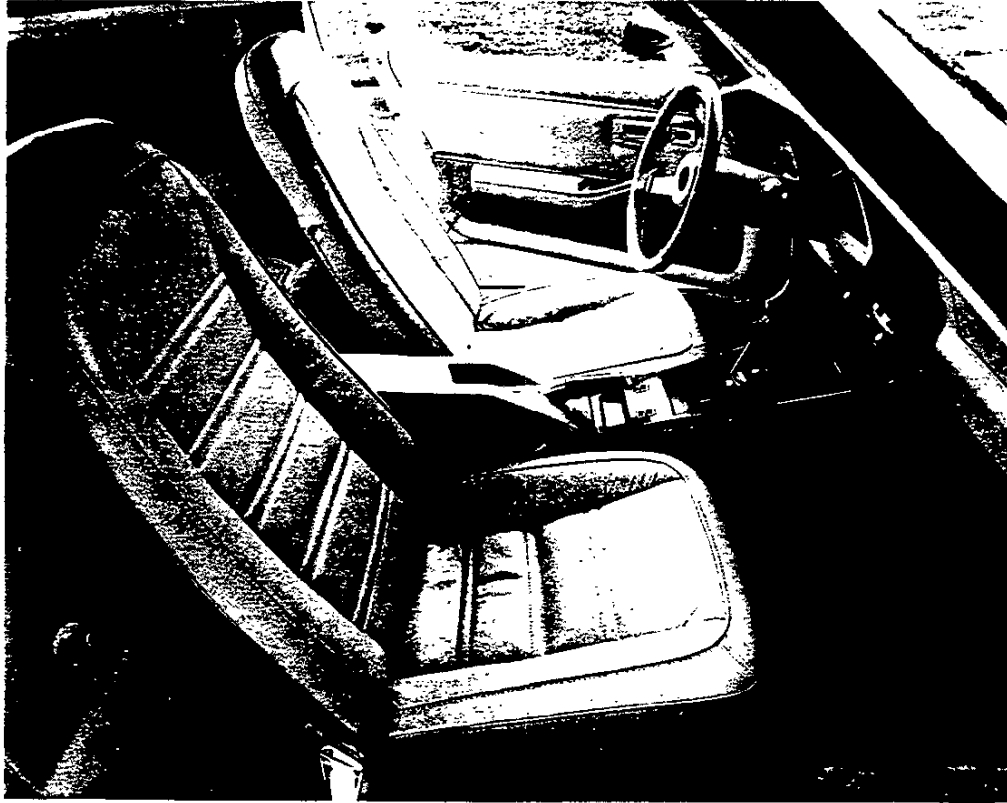
- + **New 24 gallon bladder fuel cell increases fuel capacity 41 percent.**
- + **Narrow P195/80D15 bias ply spare tire on 15 x 5 steel wheel (temporary use only).**
- + **New wider rear leaf spring assembly to reduce spring stress.**

POWER TRAINS

- + **Improved induction and exhaust systems give greater performance for optional L-82 engine.**
- + **Higher numerical starting ratio for 4-speed transmission with standard engine gives increased low end performance.**
- + **Turbo Hydra-matic with optional L-82 engine features reduced internal inertia.**

OPTIONS

- + **Convenience package expanded to include intermittent windshield wipers and carpeted floor mats.**
- + **New P255/60R15 white letter radial ply tires with increased "footprint".**
- + **AM-FM Stereo CB radio with tri-band power antenna.**
- + **Power antenna optional for non-CB radios.**
- + **Dual rear speakers optional for stereo radios.**
- + **Glass roof panels (interim)**
- + **Power door locks (interim)**



The Corvette interior is re-designed with a distinct feeling of spaciousness achieved with the new trim and the large sloping rear window.

Door trim is now the cut and sew design, trimmed in soft expanded vinyl with cut pile carpet and a map pocket on the lower scuff area. When the cloth seat trim is specified, this material is used in the center area of the door pad for a coordinated interior appearance. The armrest is now a separate applied design with a horizontal door lock button located in its forward surface.

Seats are continued from 1977 with deep side bolsters of genuine leather. Between the bolsters, the seating area is either rich grain leather or body cloth with a fine rib pattern.

Floor covering is cut pile carpet and now extends up the sides of the center console and the underdash side kick panels, replacing the plastic trim panels used in these locations previously. The floor carpet has also been extended up and over the door sill area and is retained by a slender bright molding. The wide, heavily ribbed sill plate is no longer used.

Seat belts are now the single loop type. Mini-reel retractors are concealed in the roof sail area, rather than exposed in the luggage area as on the 1977 model.

The Corvette luggage area is larger and more versatile by virtue of the new fastback roofline. Usable luggage capacity has been increased from 7.8 to 8.4 cubic feet. The new roofline makes the entire storage area more accessible as well.

A single formed cut pile carpet covers the luggage area floor, wheelhouses and underbody riser, reducing the number of bound edges, for a cleaner appearance. Luggage area insulation has been expanded to include complete coverages of the rear floors and sidewalls.

Because the storage area is clearly visible through the large rear glass, a black luggage security shade is standard equipment. Mounted at the rear of the compartment on a spring loaded roller, the shade may be pulled forward and hooked to the wheelhouses to conceal articles in the luggage area.

The instrument panel has been redesigned for 1978. "Instrument panel" refers to the entire panel area excepting the center instrument console, which was new for 1977.

The new one-piece panel is fully padded, with a redesigned rectangular instrument cluster in front of the driver and a glove box added on the passenger side. The upper area of the new pad and the windshield glass mask line are higher to conceal the windshield wiper opening. Forward of the pad, the panel top surface is finished in zero gloss black for all trims to eliminate reflection.

The new instrument cluster houses the large speedometer and tach. Between these two instruments are indicator lamps for brake warning, headlamp beams and turn signals. The cluster is front mounted, so it is quite easy to remove the entire cluster or lens for service. A printed circuit is now used for improved reliability.

On the passenger side, a built-in glove box replaces the map pocket previously used. The new glove box is lockable and includes an automatic lamp. A snap-in-tape storage unit is provided in the glove box when the tape player radio is ordered.

The windshield wiper and washer control has been moved from the steering column stalk to a position on the instrument panel, to the left of the cluster. This new, more conventional location for the wiper control makes it possible to offer an intermittent wiper option and to simplify the steering column assembly.

The steering column stalk will still control the turn signals and headlamp beams. The stalk is now slightly curved to be closer to the steering wheel rim for easier use. Also, when factory installed cruise control is used, the control button is now in this stalk in common with the other car lines, rather than in the tilt wheel lever as before — so the tilt-tele wheel option is no longer required for cruise control.

Other new body features add to the value of the '78 Corvette.

Simplified controls are new for each liftout roof panel. A single lever controls each panel latch system, replacing the dual levers on past models.

The standard theft alarm system has been extended to monitor the roof panels.

The keylock control for the alarm system, formerly in the left front fender, is integral with the LH door lock unit. The alarm horn has been moved from the rear quarter area to under the hood for greater security.

The weatherstrip at the rear of the door glass has been redesigned to improve sealing and reduce wind noise.

As an appearance improvement, front and rear bumper covers are mounted to the body panels with redesigned clips for continuous retention to reduce "puckering".

POWER TRAINS

ENGINE	TRANSMISSION	AXLE RATIO	
		BELOW 4000 FEET	ABOVE 4000 FEET & CALIFORNIA
5.7 LITRE V-8 (350 CID) 4-BARREL CARBURETOR STANDARD	4-SPEED (2.85 LOW)	3.36	—
	TURBO HYDRA-MATIC	3.08	3.55
5.7 LITRE V-8 (350 CID) SPECIAL PERFORMANCE 4-BARREL CARBURETOR RPO L82	4-SPEED (2.64 LOW)	3.70 (3.36 OPT.)	—
	4-SPEED (2.43 LOW)	3.70	
	TURBO HYDRA-MATIC	3.55	—

Corvette engine selection for 1978 again consists of standard and special performance versions of the 5.7 litre V-8.

The base engine is offered with the Muncie 4-speed manual transmission. First and second gear ratios are numerically higher than those of the replaced Borg-Warner unit, providing improved low end performance.

Increased horsepower and torque ratings are achieved for the optional special performance L82 engine as a result of improvements made in the induction and exhaust systems.

The lighter weight Turbo Hydra-matic transmission used with the L82 engine is basically the same as that used with the standard engine. This transmission features a specific torque converter with less internal inertia resulting in increased performance.

For the base engine used above 4000 feet and in California, the rear axle ratio changes from 3.08 to 3.55:1 giving a better starting ratio and more responsive performance throughout the speed range.

FUEL AND EXHAUST SYSTEM

Performance of the optional L82 engine is significantly improved for 1978. A new dual snorkel carburetor air inlet system delivers greater amount of cool dense air to the carburetor. Twin ducts extend from in front of the radiator support where unheated air is available, to the air cleaner. For the exhaust system aft of the converter, large diameter exhaust pipes and tailpipes and lower restriction mufflers measurably reduce exhaust back pressure. Tests to date indicate engine performance gains of approximately 13 bhp.

Mufflers used with both engines are smaller in section, making it possible to "tuck" them up tighter to the underbody and, therefore, they are less conspicuous.

Fuel tank capacity is increased from 17 to 24 gallons — a gain of 41%. Assuming cruising range as the distance you can drive, starting with a full tank and refilling at five gallons — that's just short of an empty reading on the gauge — usable fuel capacity has increased from 12 to 19 gallons. That is an increase in cruising range of nearly 60 percent.

The new fuel tank consists of a tough, pliable polyethylene liner in a steel container. The tank metering unit can now be removed through the filler door in the body — it is no longer necessary to drop the tank to service the gauge unit.

Space for the larger tank is made available by revisions to the rear underbody and use of a smaller spare tire and wheel.

CHASSIS FEATURES

A new P255/60R15 (HR60 x 15) white letter tire with aramid fabric belt construction is added as an option. Compared to the base GR70 tire, the new tire is wider, with an "aggressive" footprint approximately 20% greater. Because of the '60' aspect ratio, tire size is increased from 'G' to 'H' to maintain ground clearance. According to the aramid tire cord, "pound for pound it's stronger than steel." It's also more flexible, so ride quality is superior to the base steel belted tire.

The spare tire is now a special P195/80D15 temporary tire on a 15 x 5 wheel. Tire diameter is specially ground to match that of the road tires in order to avoid damage to the positraction axle. The tire will be labeled "Temporary Spare" and the wheel painted a bright color to discourage extended use. The primary reason for adopting the smaller, lighter temporary spare is to provide additional space for the larger fuel tank.

Rear spring width is increased from 2-1/4 inches to 2-1/2 inches to reduce stress under the additional weight of the larger fuel tank and its contents when full.

Rear shock absorbers provided in the optional gymkhana package are larger for 1978 to give more effective wheel control.

NEW OPTIONAL EQUIPMENT

The intermittent windshield wiper control is now available optionally for Corvette. The system operates in the same manner as for the other Chevrolet car lines, and is available as part of the convenience package. Color keyed floor mats with carpet inserts have also been added to this package.

A completely new design for see-through roof panels has been developed. The outer surface of each panel is all glass, with a stainless steel outer band similar to a rain gutter, to protect the glass edge. A die cast carrier, not visible from the outside, supports the roof attaching hardware and weatherstrip. The laminated glass is silvered to handle the solar load and presents a charcoal silver appearance from the outside and a blue-green tint from within.

Power door locks, very popular in other car lines, are now available for Corvette. Control buttons are conveniently positioned on each door trim panel.

The new optional AM-FM-Stereo-CB radio for Corvette is a full 40-channel unit with the transceiver unit integrated into the entertainment radio. The CB mike is stowed on the center console. The power operated automatic tri-band antenna is conventionally located on the rear deck so no tell-tale separate CB antenna is present.

A new power antenna is available as a separate option for use with any entertainment radio. The new unit mounts on the rear deck and is fully automatic — raising when the radio is turned on and retracting fully when the radio is turned off.

The fixed antenna mast for 1978 has a higher bending strength to reduce damage by vandals and car wash equipment.

Two of these options — the glass roof panels, and the door locks are late entries in the program and availability may be delayed until after announcement.

A dealer installed cruise control system has been designed for automatic transmission models. The control is mounted to the lower edge of the instrument panel, similar to other Chevrolet models. And, to expand Corvette's trailer towing capabilities, a load distributing platform has been designed which will allow pulling a medium size trailer with a loaded weight up to 4,000 pounds and a tongue load up to 500 pounds. As with other car lines, only the new platform and wiring harness will be available through Chevrolet. The actual hitch assemblies, safety chains and other necessary equipment must be obtained locally. The extra light duty trailer hitch previously offered for pulling trailers with a loaded weight of up to 1,000 pounds will also be continued.

BASIC SIZE COMPARISON

MODEL	CORVETTE 2-DR. SPORT COUPE	
	1978	1977
Model Year	1978	1977
Engine	350 V8	350 V8
Transmission	4-Speed	4-Speed
Wheelbase	98.0	98.0
Tread	Front	58.7
	Rear	59.5
Exterior	Length	185.2
	Width	69.0
	Height	* 48.0
Interior		
Head Room	Front	36.2
Leg Room	Front	42.1
Shoulder Room	Front	47.5
Hip Room	Front	49.9
Usable Luggage Cap. (Cu.Ft.)	8.4	7.8
Glass Area (Sq. In.)		
Windshield	793.5	977.4
Side Glass	800.8	800.8
Back Glass	1425.3	392.5
	<u>TOTAL</u>	<u>3019.6</u>
		<u>2170.7</u>

* To be provided.

WEIGHT COMPARISON

DESCRIPTION	COUPE	
	1YZ87 1978	1YZ37 1977
Body	751	753
Body Mounting	13	13
TOTAL BODY	764	766
Frame	238	245
Front Suspension	113	113
Rear Suspension (Positraction)	269	265
Brakes (Power)	208	208
Engine (350 Cubic Inch)	649	649
Transmission and Clutch (4-Speed)*	123	123
Fuel and Exhaust	160	170
Steering (Power)	88	88
Wheels and Tires (P225/70R15; 15 x 8)	285	305
Front End Sheet Metal	140	140
Chassis Electrical	115	115
Radiator and Grille	33	33
Front Bumpers	106	106
Rear Bumpers	78	78
Tools and Miscellaneous	32	32
TOTAL CHASSIS	2637	2670
†SHIPPING WEIGHT		
Front	1707	1710
Rear	1694	1726
TOTAL	3401	3436
Gasoline (14.0 Gallons)	—	86
Gasoline (21.0 Gallons)	128	—
(*) CURB WEIGHT		
Front	1679	1690
Rear	1850	1832
TOTAL	3529	3522

†Coolant to capacity and 3 gallons gasoline included in Shipping Weight.
 *Add weight for CBC automatic transmission is 36 lbs. (24 front, 12 rear)

POWER TRAINS

49 STATES

ENGINE	MODEL (Base & Opt. Refer to Eng.)	TRANSMISSION	REAR AXLE RATIO (:1)			R.G. SIZE mm (in.)	I.W. CLASS kg. (lbs.)
			BELOW 1219M (4000 FT.)		ABOVE 1219M (4000 FT.)		
			BASE	OPTION			
5.7 Litre-V8 (350 CID) 4-Bbl. Carb. RPO L48 HP - %	All (Base)	4-Spd. Man. (M20) 2.85 Low - Base	3.36	-	-	213 (8-3/8)	1816 (4000)
		CBC '350' (M38) - Opt.	3.08	-	3.55		
5.7 Litre-V8 (350 CID) 4-Bbl. Carb. RPO L82 * HP - %	All (Opt.)	4-Spd. Man. (M20) 2.64 Low - Base	3.70	3.36	-	213 (8-3/8)	1816 (4000)
		4-Spd. Man. (M21) 2.43 Low - Opt.	3.70	-	-		
		CBC '350' (M38) - Opt.	3.55	-	-		

CALIFORNIA

ENGINE	MODEL (Base & Opt. Refer to Eng.)	TRANSMISSION	REAR AXLE RATIO (:1)		R.G. SIZE mm (in.)	I.W. CLASS kg. (lbs.)
			BASE	OPT.		
5.7 Litre-V8 (350 CID) 4-Bbl. Carb. RPO L48 HP - %	All (Base)	CBC '350' (M38) - Opt.	3.55	-	213 (8-3/8)	1816 (4000)

% - To be determined.

* Because of local noise standards, L82 not available in Maryland, Florida, Oregon and Washington states, Boston, Mass., Grand Rapids, Mich., and DesPlaines, Barrington and Cook County, Illinois.

CHEVROLET CORVETTE

Many people wondered when a Corvette would be named pace car for the Indy 500. The answer came in Corvette's twenty-fifth year of production. The rakish beauty Chevrolet turned out, was destined to become one of the classic pace cars of all-time.

The popular L82 small block 350 cubic inch V-8 with a bore and stroke of 4.000 x 3.480 powered this sick machine. This high performance engine—said to be showroom stock—produced 220 horsepower at 5200 rpm. A four-barrel Rochester carburetor fed unleaded fuel to the 8.9 to 1 compression grandchild of the trend setting 1955 V-8. The small block four bolt, five main bearing crankshaft, together with the forged alloy steel connecting rods, were considered bullet proof. No stronger stock production bottom end has ever been devised for a V-8.

The power went through a L82 Turbo Hydra-Matic transmission, with a specific high stall speed torque converter for increased performance.

The special two-tone paint was perhaps the most exotic yet seen on a pace car. The black area above the belt and wheel area and "hot" metallic silver on the lower portion of the body gave a startling shark-like effect. A red accent stripe extending the car's length along the belt line, separated the two colors.

Other exterior features were a front air dam, rear deck lid spoiler, polished aluminum spoke wheels with a red stripe, glass roof panels, white lettered tires and sport mirrors.

This was the first car with a one-piece body (fiberglass) to pace the 500.

The interior was done in the now legendary argent color called "Smoke." Even the driver's seat was special.

When the pace car announcement was made October 17, 1977, orders for replicas flooded the Chevrolet Motor Division offices. Initially, 2,500 replicas were to be produced at \$13,653.21 per unit. The order swelled to 6,500 before race day, then an additional 500 afterwards. The sales of the so called "Limited Edition" pace car were so great, they even drew the attention of *The Wall Street Journal*. The demand continued, and a price tag of up to \$28,000 was not unheard of. An article in *The New York Times* quoted an asking price of \$75,000! A few counterfeit replica pace cars—complete with alloy wheels, lettering and IMS winged logo—were available. To date, it is the most sought after pace car replica.

Jim Rathmann, back for his fifth "start" as pace car driver, wheeled our beauty on race day.

In addition to the Corvette, Chevrolet provided a large number of Camaro Z28s and Monte Carlos as parade vehicles and courtesy cars for Indy 500 Festival and IMS officials. Chevrolet trucks and vans served as support vehicles during the month of May.

1978

1978

